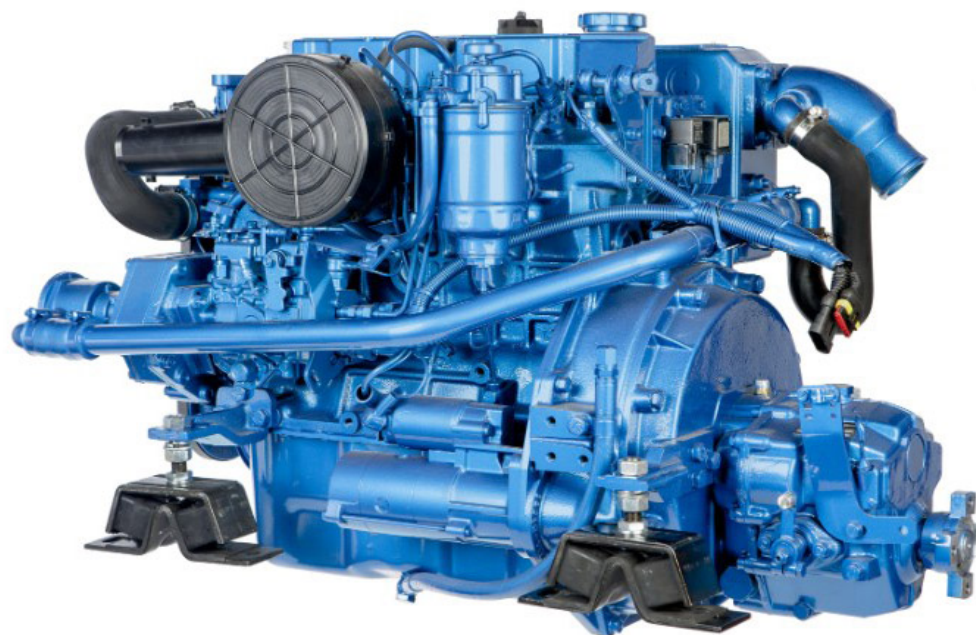




Engine MINI-62
VERSION 2018-2
SPARE PARTS MANUAL



PARTS LIST CATALOGUE

NORMS TO PLACE AN ORDER:

For fast and more efficient service, please specify the following information on spare parts orders that must be preferably done by FAX or e-mail as specified below:

- 1- Engine model: As shown in identification plate
- 2- Engine serial number: As shown in identification plate and stamped on crankcase
- 3- Item description + part number + quantity required

Spare parts requests must be addressed to:

recambios@solediesel.com

Telf.: +34 93 775 44 05

Fax: +34 93 775 30 13

The components shown in the catalog have:

- Figure: Number by which they are represented in scheme
 - Description: Trade name of the component
 - Quantity: Total number of parts used in the assembly of the part represented (may differ from the total minimum quantities)
- Hoses, indicates the total length in meters
-

The diagrams shown in this catalog of spare parts, have only the purpose to identify the piece in question, its representation is not meaningful and may differ from the actual piece.

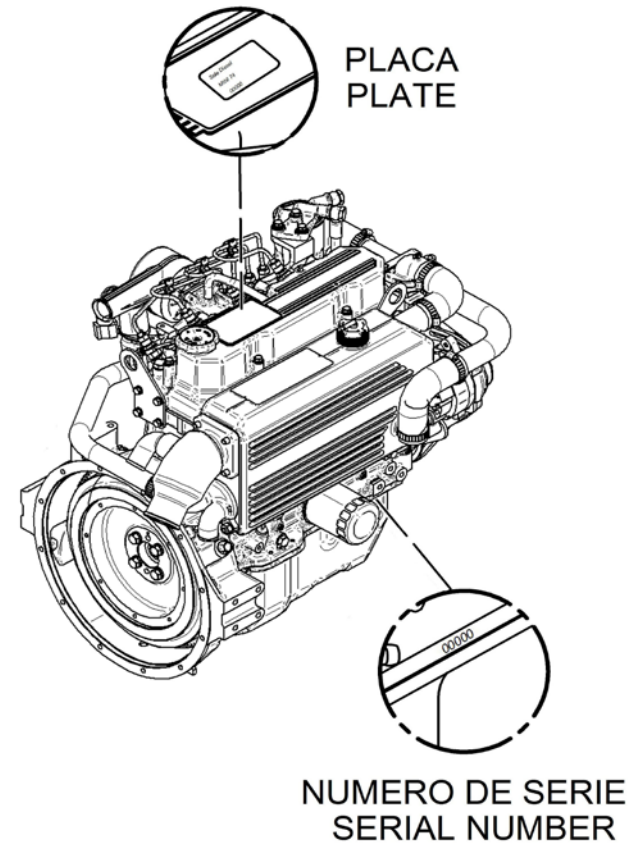
In case of doubt, contact Solé Diesel, or your authorized dealer.

The parts i / or references in this catalog are subject to change without notice.

SOLE, S.A.

C-243b, Km, 2 - P.O. BOX 15
08760 Martorell (Barcelona) Spain

Download the latest version of this manual [HERE](#)



Engine Body

Cylinder Head
 Rocker Cover & Breather
 Valve Drive
 Timing Parts
 Gear Case
 Cranckcase
 Flywheel Housing
 Piston & Connectiong Rod
 Crankshaft & Flywheel
 Oil Sysem
 Oil Pan
 Engine Brackets
 Bracket, Engine Control

Inlet & Exhaust

Inlet

Cooling System

Water Pump
 Cooler Pipes
 Water Cooler Assy MINI-62
 Body, Water Cooler And Cap
 Wet Exhaust
 1" Water Pump, Set

Fuel System

Fuel Pipe
 Injection Nozzle
 Fuel Injection Pump 1/2
 Fuel Injection Pump 2/2
 Fuel Filter

12V Electrical System

Kit Alternator 12V/40A
 Contents
 Starter
 12V Electrical Wiring
 Deluxe Instrument Panel
 SVT 20 MINI-62 Panel
 SVT 30 MINI-62 Panel

24V Electrical System

Kit Alternator 28V/55A
 Starter
 24V Electrical Wiring

Maintenance Kit

Gasket Kit
 Pipe Rubber Set,water line
 Gasket Kit
 Repair Kit Water Pump 1"

Gearbox TMC-60P

Sheet 1/2
 Sheet 2/2
 Kit de Service

SP60 S.Drive

Sheet 1/4 SP60 S.Drive V1
 Sheet 2/4 SP60 S.Drive V1
 Sheet 3/4 SP60 S.Drive V1
 Sheet 4/4 SP60 S.Drive V1
 Sheet 1/4 SP60 S.Drive V2
 Sheet 2/4 SP60 S.Drive V2
 Sheet 3/4 SP60 S.Drive V2
 Sheet 4/4 SP60 S.Drive V2
 Maintenance Kit

Gearbox TMC-260

Sheet 1/3
 Sheet 2/3
 Cooling System 3/3
 Maintenance Kit

TM-345 Gearbox

Sheet 1/4
 Sheet 2/4
 Sheet 3/4
 Sheet 4/4
 Maintenance Kit

TM-345A Gearbox

Sheet 1/4
 Sheet 2/4
 Sheet 3/4
 Sheet 4/4

Maintenance Kit

Gearbox TM-93

Sheet 1.1/4
 Sheet 1.2/4
 Sheet 1.3/4
 Intermediate Shaft 2/4
 Input Shaft 3/4
 Output Shaft 4/4
 Maintenance Kit

Gearbox TM-93A

Sheet 1.1/4
 Sheet 1.2/4
 Sheet 1.3/4
 Intermediate Shaft 2/4
 Input Shaft 3/4
 Output Shaft 4/4
 Maintenance Kit

Gearbox TMC-60A

Sheet 1/2
 Sheet 2/2
 Kit de Service

GearBox ZF-63 IV

Sheet 1/2
 Sheet 2/2
 Mechanical Selector Valve
 Electric Selector Valve 12V/24V
 Electric Selector Valve 12V/24V (TV)

GearBox ZF-15 MIV

Sheet 1/2
 Sheet 2/2

Kit Gearbox

Kit Z-Drive VOLVO 270/280/290 Z=10
 Kit S-Drive VOLVO 110S
 Kit S-Drive BUKH DV48
 Kit GearBox TM-93/A
 Kit GearBox TM-170A (Without Oil Cooler)
 Kit GearBox TM-345/A
 Kit Gearbox Hidraulic SAE 7
 Kit Jet Castoldi 05

Kit GearBox BORG WARNER
Kit GearBox ZF-25MA/M - HBW250
Kit Adaptor SAE 7 (Without Disk)
Kit Gearbox ZF-25, Hidraulic
Kit GearBox BW (Without Oil Cooler)
Kit GearBox TMC-260
Kit Gearbox ZF-63 IV Hidraulic
Kit GearBox PRM-260D SAE 7
Kit GearBox TMC-60
Kit GearBox HURTH-150V
Kit GearBox PRM-150
Kit GearBox TMC-60/ZF/PRM
Kit S-Drive TECHNO.SP60
Kit GearBox TMC-260

Electrical System

Kit SOLAS 12V With Capsizing Sensor
Kit Earth Isolated SOLAS
Kit 2nd Alternator 28V/55A
Kit 2nd Alter. 12V/90A Earth Isolated
Kit Alternator 14V.95A.
Kit 2nd Alternator 14V/95A
Kit Wire Earth Isolated 12V
Kit Water Leak Sensor & Alarm SP60 12V

Other Kits

Pressure Gauge Kit 10 BAR
Kit Trolling Valve for TM-93/A
Kit Trolling Valve for TM-345/A
Motor Bracket Breadht 235 (TMC 60)
Bracket 235 Width (TM-345)
Kit Cooler Assy TMC-60
Kit Water Pump 3/4"
Boiler Kit (S)
Kit Injection Pipes 2nd Wall

Exhaust System

Exhaust Flange (S)
Kit Dry Exhaust With Flexible Pipe (S)
Kit Dry Exh. Flexible Pipe & Silencer(S)

Power Take-off Pulley

Pulley 2B (S)
Pulley 2A (S)
Pulley 3A (S)

Kit Power Take-off D30 (S)
Pulley 4A D138 (S)

Kit Keel Cooling

Boiler Kit + Keel Cooling
Kit Keel Cooling & Dry Exhaust
Kit Keel Cooling, Wet Exhaust, Hyd.Gear.

Kit Instrument Panel SVT

Suplement Panel SVT 30 MINI-62
SVT 20 Panel 12V + Exh. Temp. Alarm Kit
SVT 20 24V Panel + Exh. Temp. Alarm Kit
SVT 30 Panel 12V + Exh. Temp. Alarm Kit
SVT 30 24V Panel + Exh. Temp. Alarm Kit
Kit 2nd Panel SVT 30/SVT 40 MINI-62 12V
Kit 2nd Panel SVT 40 MINI-62 12V

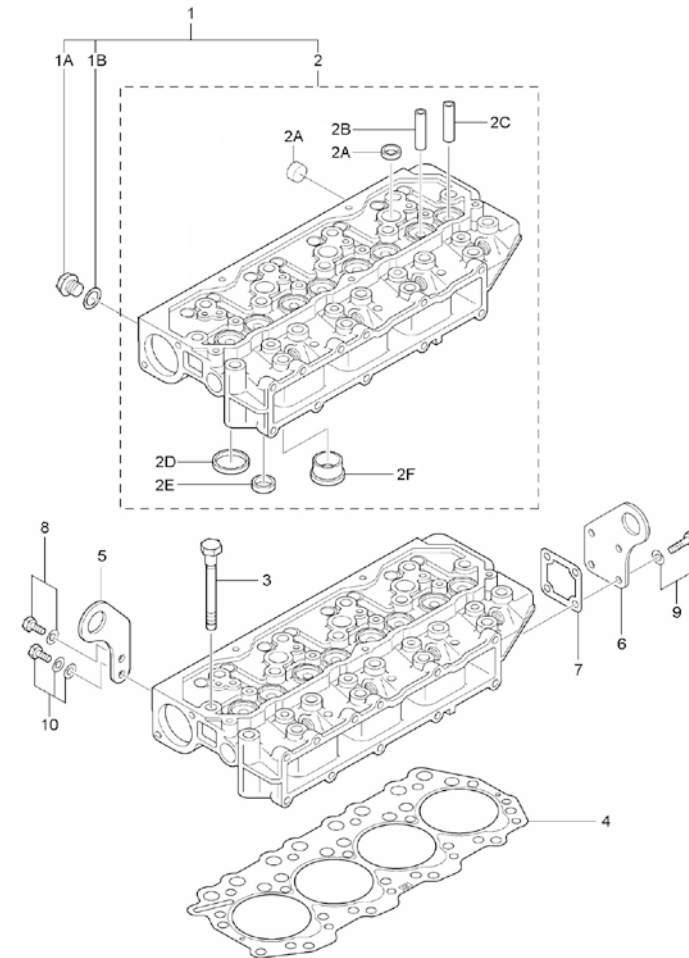
Instrument panel for engines TE2

Panel MTE2 MD-2300

Kits NMEA 2000 - one engine

Kit SDC 2000 MINI-62 12V
Kit SDC 2000 MINI-62 24V

D_MI62_1_1		Cylinder Head				
FIG.	REF.	QTY	DESCR.	FROM	UPTO	
1	17121001	1	Head, Assy CYL.			
1A	17121016	1	Plug, drain			
1B	17121013	1	Gasket			
2	(*)	1	Not available [NP]			
2A	13121003	7	Cap Sealing [NP]			
2B	17121002	4	Guide,Valve [NP]			
2C	17121003	4	Guide, valve-Exhaust			
2D	17121061	4	INSERT, in			
2E	17121062	4	INSERT, exh.			
2F	17121015	4	JET,COMBUSTION			
3	17121005	18	Bolt,cylinder head			
4	17121004	1	Gasket, cyl.head			
5	17120014	1	EYE,LIFTING,Front			
6	17121018	1	EYE, lifting re			
7	17121011	1	Gasket, head			
8	13820043	1	Bolt,W/Washer			
9	17121012	4	Bolt, w/washer			
10	17121017.1	1	Bolt,W/Washer			

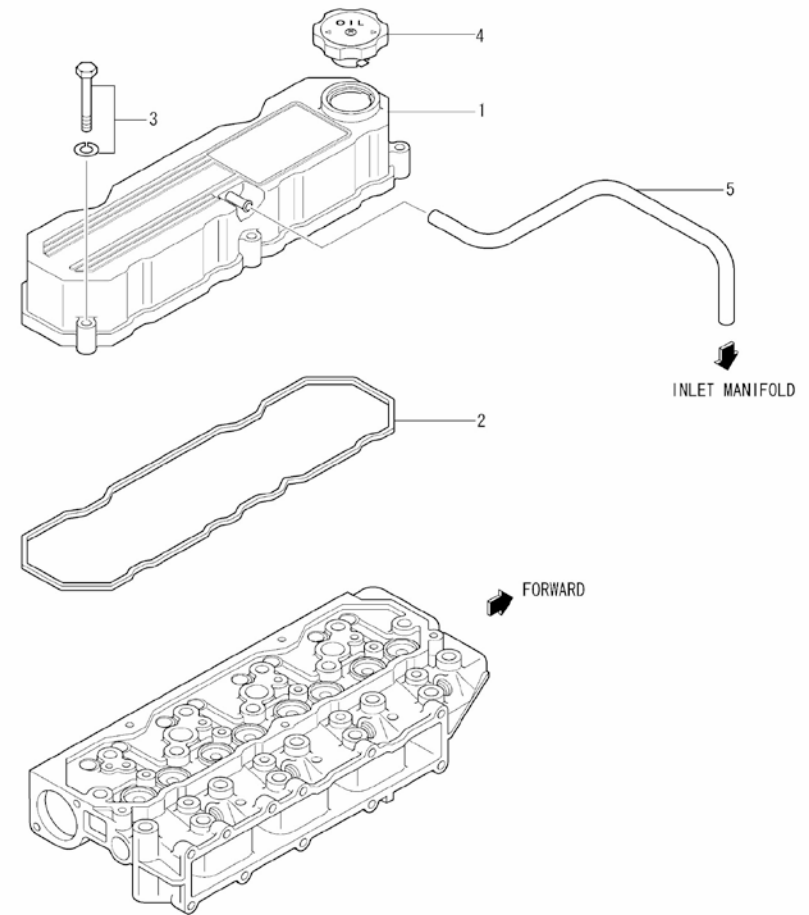


[NP] Not provided

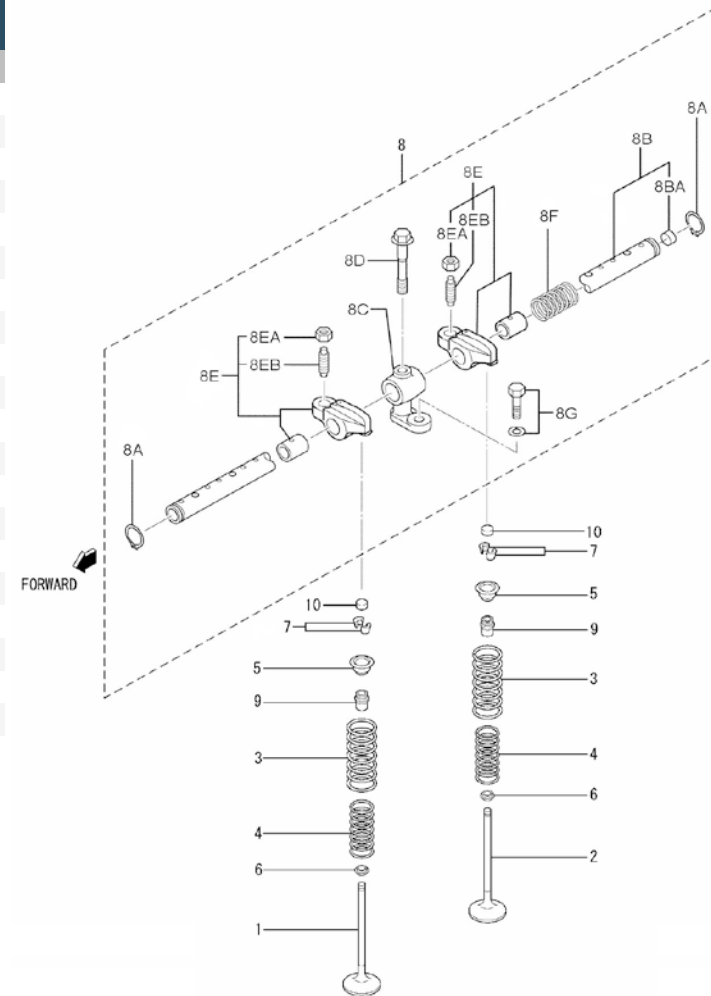




D_MI62_1_2		Rocker Cover & Breather			
FIG.	REF.	QTY	DESCR.	FROM	UPTO
1	17121009	1	Cover Assy,Rocker		
2	17121010	1	Rocker Cover Gasket		
3	17121014	5	Bolt, w/washer		
4	13221003	1	Cap Oil FILLER		
5	17121006	1	Hose BREATHER		

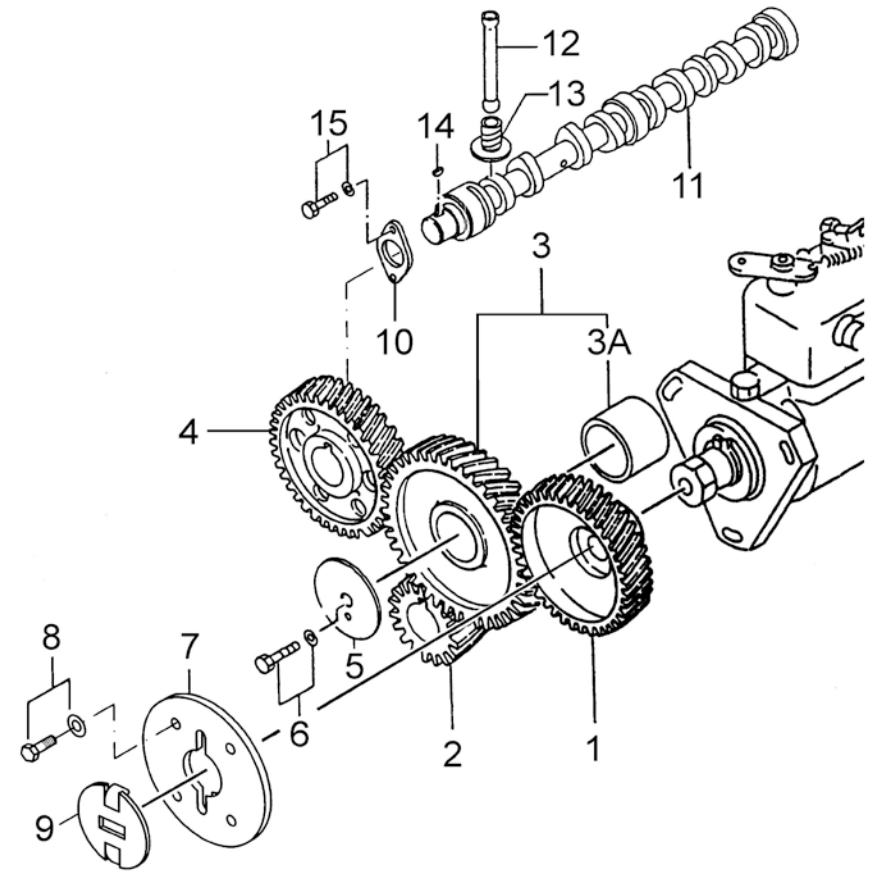


D_MI62_1_3		Valve Drive				
FIG.	REF.	QTY	DESCR.	FROM	UPTO	
1	17122055	4	Intake Valve			
2	17122056	4	Exhaust Valve			
3	13322028	8	Spring, valve outler			
4	17122057	8	Spring, valve, inner			
5	17122058	8	Retainer, Upper			
6	17122063	8	Retainer, lower			
7	17122059	16	COTTER, Valve			
8	17122146	1	Rocker & Shaft Assy			
8A	17122050	2	Ring, snap			
8B	17122046	1	Shaft, Assy rocker			
8BA	13322023	2	Cap, SeallNG			
8C	17122048	4	Bracket, rocker			
8D	17122053	4	Bolt			
8E	17122142	8	Rocker, Assy			
8EA	17122060	8	Nut			
8EB	17122044	8	Screw Adjusting			
8F	17422047G.1	3	Spring, Rocker			
8G	17122051	4	Bolt, w/washer			
9	17122054	8	Seal, Valve Stem			
10	13322024	8	Cap			





D_MI62_1_4		Timing Parts				
FIG.	REF.	QTY	DESCR.	FROM	UPTO	
1	17122040.1	1	Gear,INJ.Pump			
2	D_MI62_1_9	1	Crankshaft & Flywheel [NP]			
3	17122038	1	Gear, Assy idler			
3A	17122039	1	Bushing, idler			
4	17122037	1	Gear, camShaft			
5	17122032	1	Plate, thrust			
6	13322079	1	Bolt			
7	17110011	1	Coupling,drive			
8A	52102257	4	Bolt DIN 933 M8-20 8.8			
8B	53033008	6	Washer GROWER DIN 127-8			
9	15310072	1	CrossHead			
10	17422075	1	Plate,THRUST			
11	17122035.1	1	CamShaft			
12	17122041	8	ROD, push			
13	17122061	8	Tappet			
14	13322034	1	KEY WOODRUFF			
15A	52102256	2	Bolt DIN 933 M8-15 8.8			

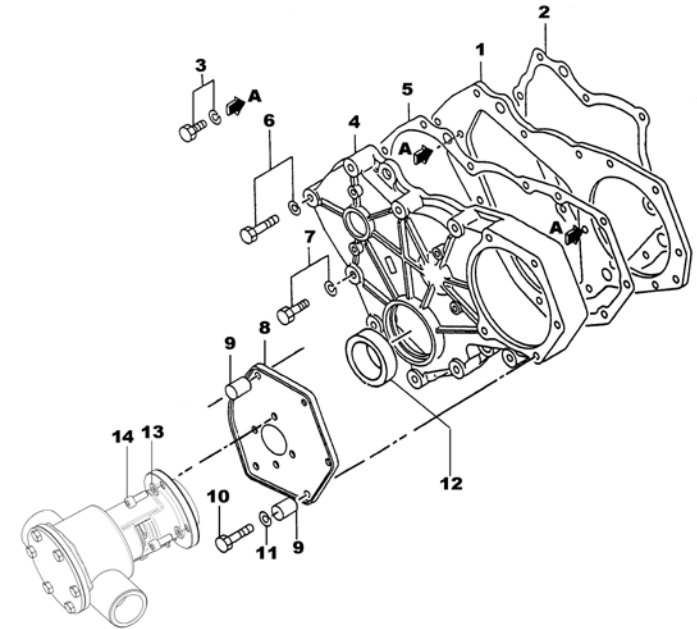


[NP] Not provided

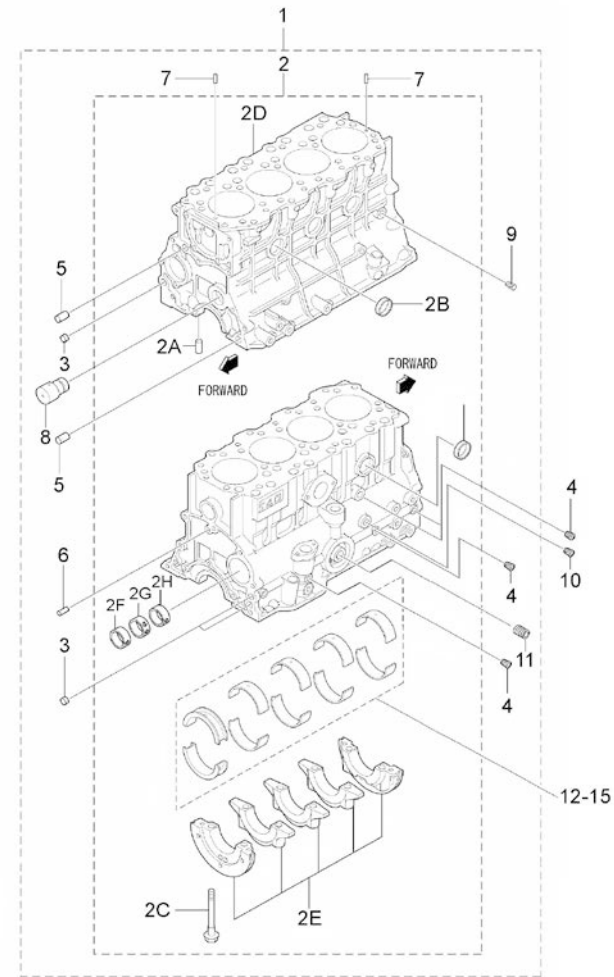




D_MI62_1_5		Gear Case				
FIG.	REF.	QTY	DESCR.	FROM	UPTO	
1	17120024	1	Plate, front			
2	17120018	1	Gasket, front plate			
3A	52102256	2	Bolt DIN 933 M8-15 8.8			
3B	53033008	2	Washer GROWER DIN 127-8			
4	17120035.1	1	Case Gear			
5	17120040	1	Gasket, timing Gear			
6	17121014	1	Bolt, w/washer			
7	17120043	9	Bolt, w/washer			
8	17110010	1	Block,water pump			
9	17110012	2	Knock			
10	52101266	5	Bolt DIN 931 M8-65 8.8			
11	51030008	5	Washer DIN 125-8			
12	17120039	1	Seal, oil			
13	51030006	4	Washer DIN 125-6			
14	52103156	4	Bolt DIN 912 M6-16 8.8			



D_MI62_1_6		Crankcase			
FIG.	REF.	QTY	DESCR.	FROM	UPTO
1	17120001.1	1	CRANKCase		
2	(*)	3	Not available [NP]		
2A	17120026	4	Pin, dowel		
2B	13320006	6	Cap, Sealing		
2C	17120009	10	Bolt Bearing Cap		
2F	17120011.1	1	Bushing,CamShaft		
2G	17120013.1	1	Bushing, CamShaft fr. [NP]		
2H	17120015.1	1	Bushing,CamShaft		
3	17120012	3	Cap, Sealing		
4	17820011	5	Plug, Tapered [NP]	12/07/2017	
4	13120011	5	Plug, Tapered [NP]		12/07/2017
5	17420036	2	Pin,Dowel		
6	17120026	2	Pin, dowel		
7	17120019	2	Pin, dowel		
8	17120034	1	Shaft, idler		
9	17120022	1	Plug, tapered		
10	17120021	2	Plug TAPER [NP]		
11	17124047	1	Shaft Oil Filter [NP]		
12	17120003	1	METAL, main set		
13	17120004	1	METAL, main set -0.25		
14	17120005	1	METAL, main set -0.50		
15	17120006	1	METAL, main set -0.75		

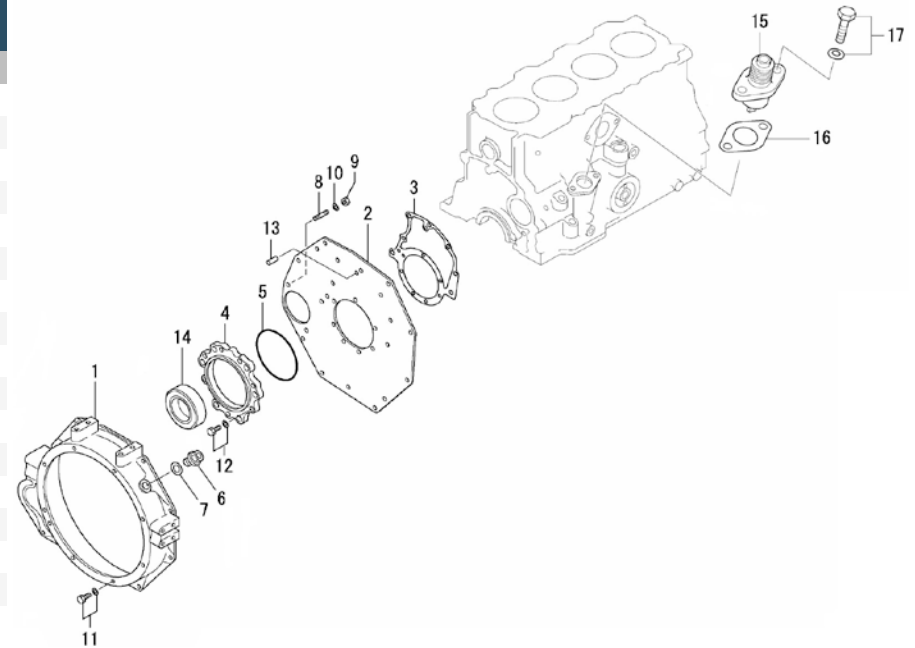


[NP] Not provided

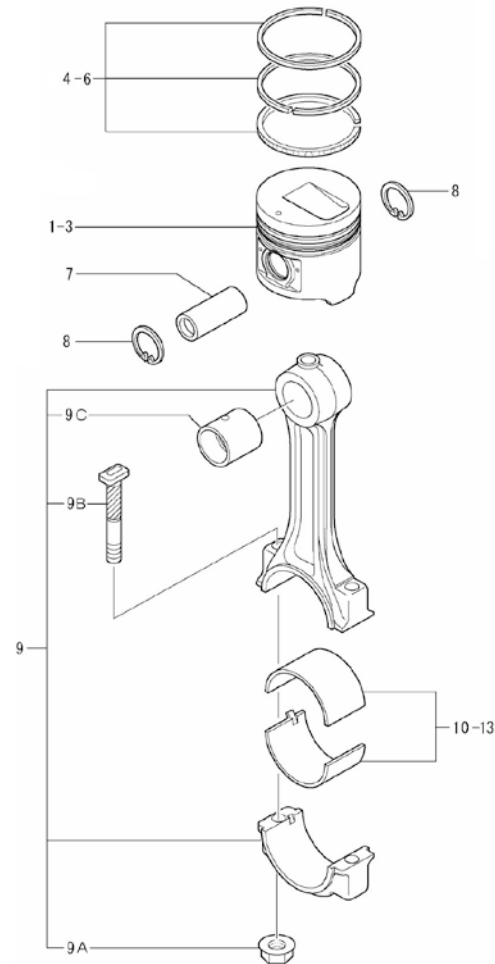




D_MI62_1_7 Flywheel Housing						
FIG.	REF.	QTY	DESCR.	FROM	UPTO	
1	17120002	1	Flywheel Housing			
2	17120017	1	Plate, rear			
3	17120025	1	Gasket, rear			
4	17120050	1	Case, rear oil seal			
5	17120053	1	O-Ring D. 120X2			
6	17121016	1	Plug, drain			
7	17121013	1	Gasket			
8	17120044	2	Stud			
9	13127002	2	Nut			
10	53033010	2	Washer GROWER DIN 127-10			
11	17120062	15	Bolt, w/washer			
12	17120062G	7	Bolt, w/washer			
13	13220026	2	Pin KNOCK (10X12)			
14	13320063	1	Seal Oil			
15	13320042	1	Flange			
16	17120041	1	Gasket			
17	17121012	2	Bolt, w/washer			



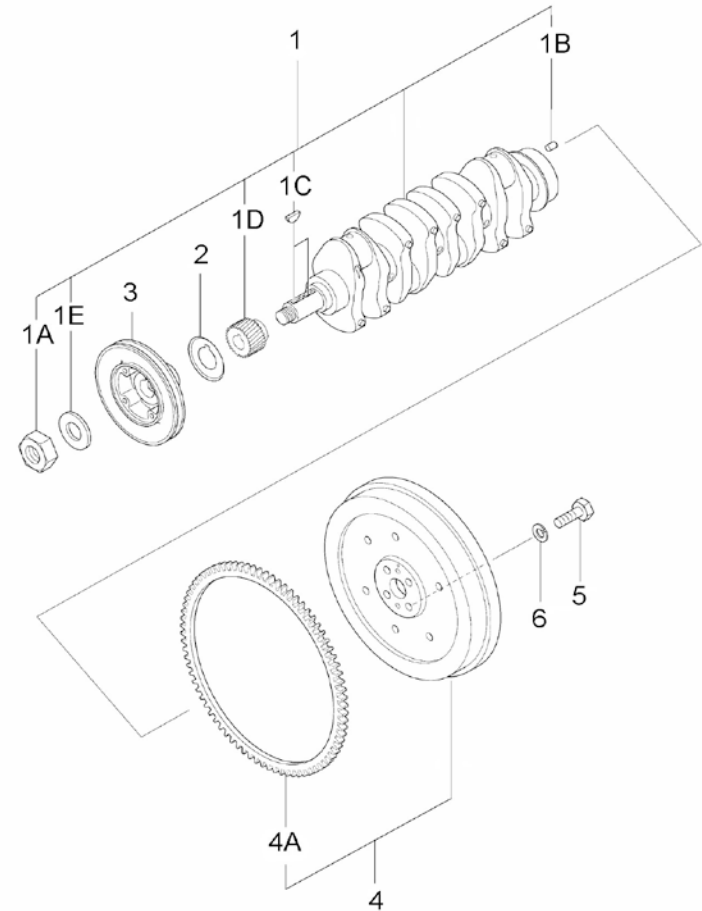
D_MI62_1_8		Piston & Connecting Rod			
FIG.	REF.	QTY	DESCR.	FROM	UPTO
1	17122001.1	4	Piston STD.(UP TO Engine N°11542)		
2	17122002.1	4	Piston +0.25		
3	17122003.1	4	Piston +0.50		
4	17122006.1	1	Ring, Set Piston STD.		
5	17122007.1	1	Ring, Set Piston +0.25		
6	17122008.1	1	Ring, Set Piston +0.50		
7	17122009	4	Pin, piston		
8	17122010	8	CIRClip DIN 472 I-28 [NP]		
9	17122012	4	ROD, Assy connecting		
9A	17122011	8	Nut [NP]		
9B	17122013	8	Bolt,connecting rod		
9C	17122033	4	Bushing, con-rod		
10	17422014	2	Half Bearing, con-rod Std. [NP]		
11	17422015	8	Bearing Set,Con-Rod,U.S 0,25		
12	17122016	8	Half Bearing, con-rod O.S +0.50		
13	17122017	8	Half Bearing, con-rod O.S +0.75		



[NP] Not provided

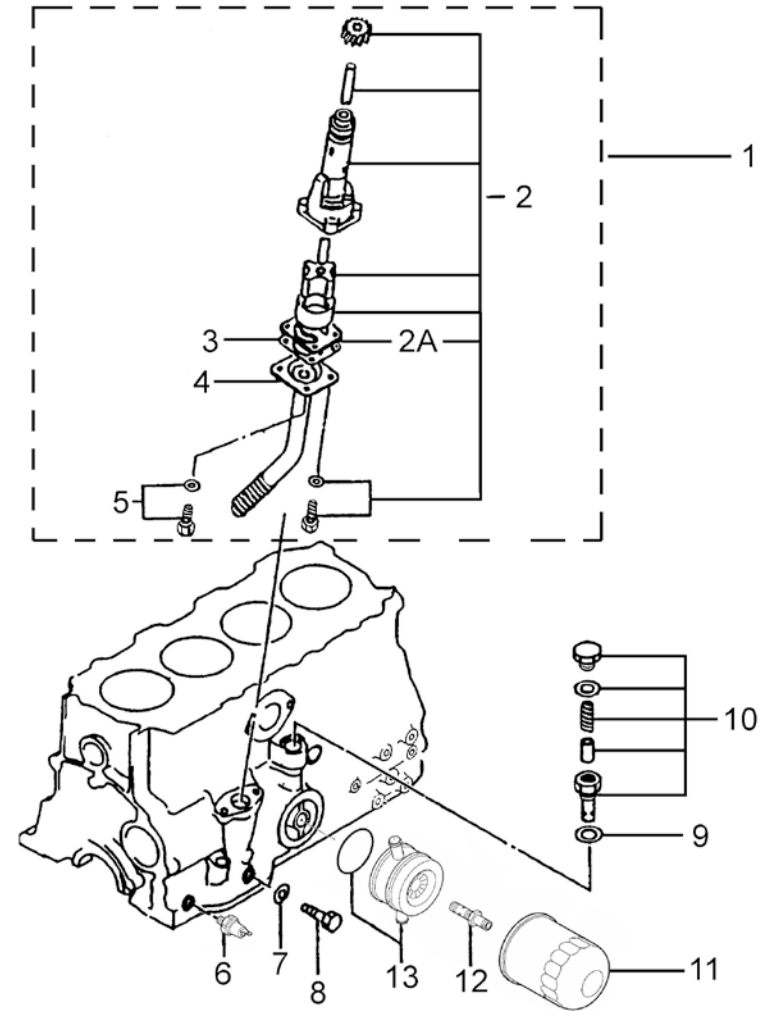


D_MI62_1_9		Crankshaft & Flywheel			
FIG.	REF.	QTY	DESCR.	FROM	UPTO
1	17122018.1	1	CrankShaft Assy		
1A	17122026	1	Nut, jam		
1B	13322059	2	Pin		
1C	13322034	2	KEY WOODRUFF		
1D	17122019.1	1	Gear,CrankShaft		
1E	17122023	1	Washer		
2	17122025	1	Plate		
3	17122024	1	Pulley CrankShaft		
4	17122027.1	1	Flywheel Assy		
4A	17122029	1	Gear, ring		
5	13322065	4	Bolt		
6	53033012	4	Washer GROWER DIN 127-12		





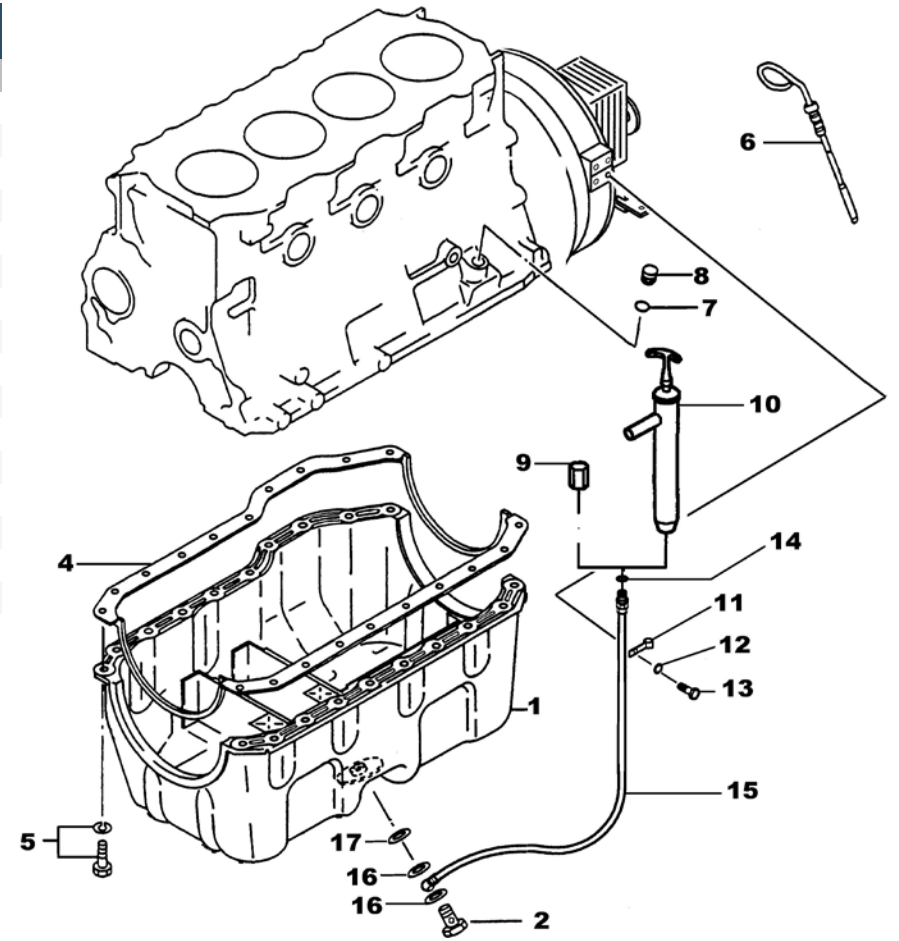
D_MI62_1_10		Oil Sysem				
FIG.	REF.	QTY	DESCR.	FROM	UPTO	
1	17124040	1	Pump Assy,oil			
2	17124046	1	Pump, Assy oil			
2A	17124061	1	Cover			
3	17124041	1	Gasket,STrainer			
4	17124052	1	STrainer, oil			
5A	52102157	4	Bolt DIN 933 M6-20 8.8			
5B	53033006	4	Washer GROWER DIN 127-6			
6	17127027	1	SWITCH, oil pressure			
7	17124058	1	Gasket			
8	17124062	1	Bolt, oil pump set			
9	17424063	1	Gasket			
10	17124071	1	Valve, Assy			
11	13924051	1	Oil Filter Element			
12	17124054	1	Connector			
13	17124045	1	Cooler Assy,oil			
13A	17124055	1	O-Ring D. 65X3			





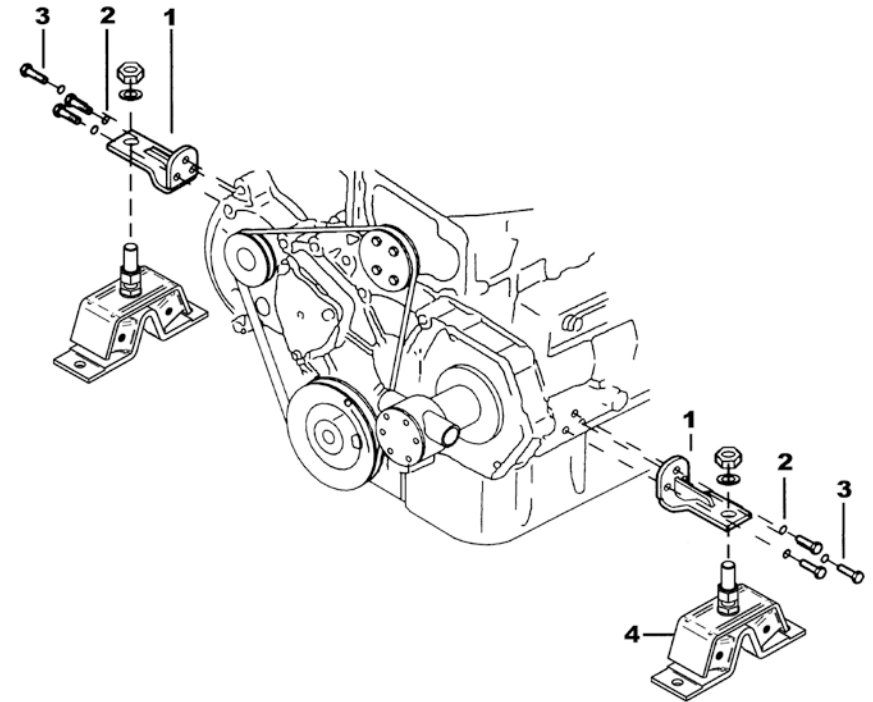
D_MI62_1_11		Oil Pan				
FIG.	REF.	QTY	DESCR.	FROM	UPTO	
1	17120030	1	PAN, Assy oil			
2	12814051	1	Screw,eye			
4	17120033	1	Gasket,oil pan			
5A	52102256	20	Bolt DIN 933 M8-15 8.8			
5B	53033008	20	Washer GROWER DIN 127-8			
6	17120029	1	Gauge Oil LEVEL			
7	17120058	1	O-Ring D. 13X2,5			
8	17120059	1	Plug			
9	16514020	1	Plug			
10	14714001	1	Pump,oil Suction			
11	17114023	1	Bracket,pipe			
12	53033010	1	Washer GROWER DIN 127-10			
13	52202307	1	Bolt DIN 933 M10-1,25-20 8.8			
14	56000067	1	Washer 13-20-1,5			
15	17114021	1	ExtraCTION Hose			
16	56000069	2	Washer 14-20-1,5			
17	17420031	1	Gasket,Oil DRAIN			

02/07/2017

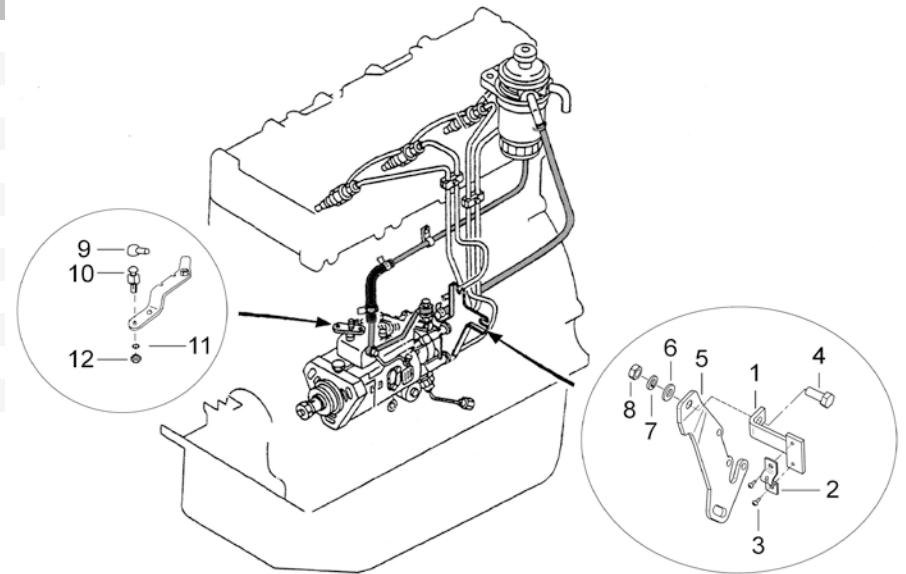




D_MI62_1_12		Engine Brackets				
FIG.	REF.	QTY	DESCR.	FROM	UPTO	
1	17110002	2	Bracket,front			
2	53033010	6	Washer GROWER DIN 127-10			
3	52202308	6	Bolt DIN 933 M10-1,25-25 8.8			
4	61671000	4	Anti Vibration Mount Type E 67SHA			

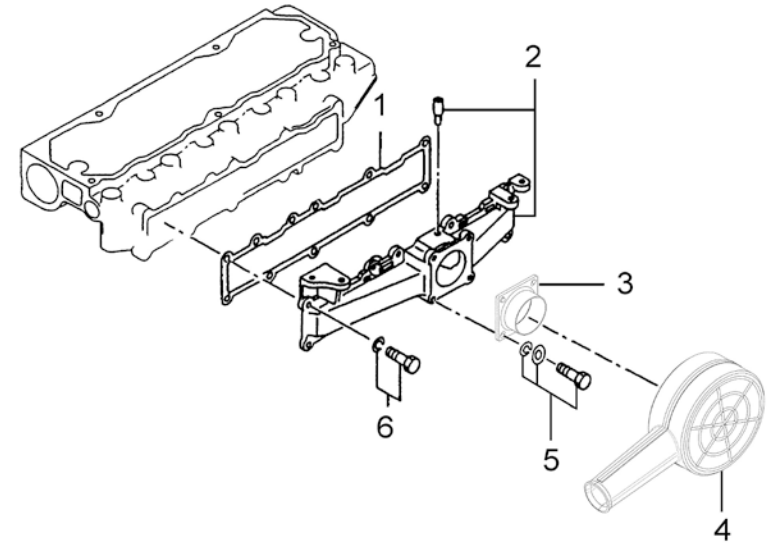


D_MI62_1_13		Bracket, Engine Control				
FIG.	REF.	QTY	DESCR.	FROM	UPTO	
1	17119001.1	1	Bracket,Engine Control			
2	14719013	1	Clamp,cable			
3	55307104	2	Bolt DIN 86 W3/16-10			
4	52102257	1	Bolt DIN 933 M8-20 8.8			
5	17125038.1	1	Bracket			
6	51030008	1	Washer DIN 125-8			
7	53033008	1	Washer GROWER DIN 127-8			
8	52120008	1	Nut DIN 934 M8 8.8			
9	15119015	1	CABLE Holder Ball			
10	11114122	1	Ball Joint			
11	51030006	1	Washer DIN 125-6			
12	52120006	1	Nut DIN 934 M6 8.8			

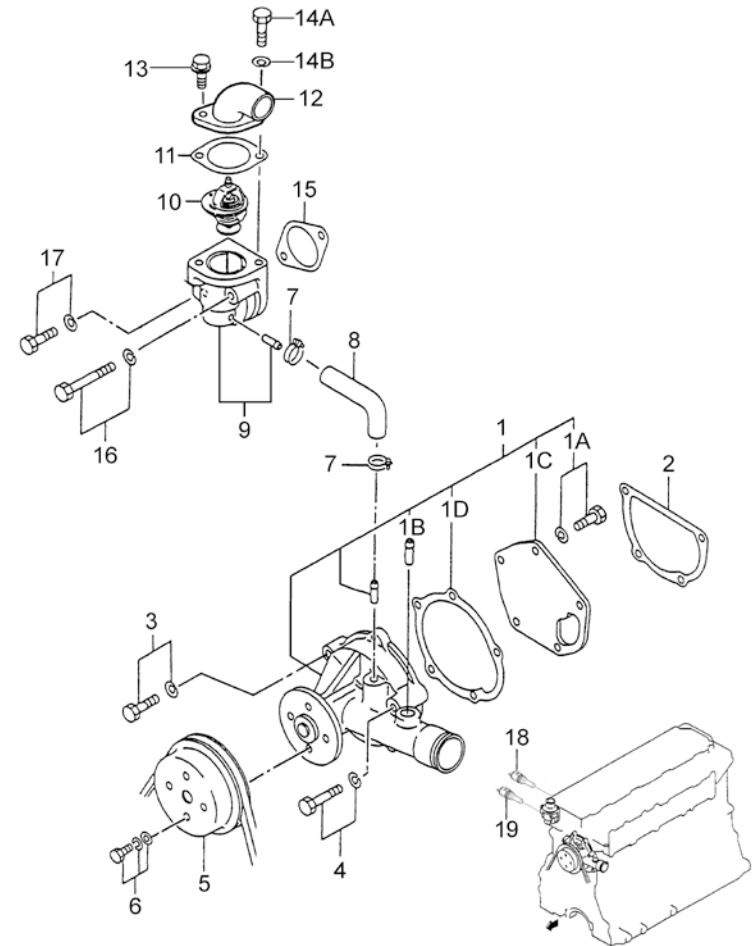




D_MI62_2_1		Inlet				
FIG.	REF.	QTY	DESCR.	FROM	UPTO	
1	17121032	1	Gasket, in manifold			
2	17121030	1	Manifold, Assy inlet			
3	18210020	1	Spacer, Air Filter			
4	18210030	1	Air Filter			
5A	52102156	2	Bolt DIN 933 M6-16 8.8			
5B	51030006	2	Washer DIN 125-6			
5C	53033006	2	Washer GROWER DIN 127-6			
6	17121012	11	Bolt, w/washer			



D_MI62_3_1		Water Pump				
FIG.	REF.	QTY	DESCR.	FROM	UPTO	
1	17121020	1	Fresh Water Pump			
1A	17121012	1	Bolt, w/washer			
1B	17124053	1	Joint			
1C	17121042	1	Cover, water pump			
1D	17121022	1	Gasket Water Pump			
2	17121041	1	Gasket			
3	17121014	3	Bolt, w/washer			
4	17120046	1	Bolt, w/washer			
5	17121021	1	Pulley,Water Pump			
6	17121056	4	Bolt DIN 933 M8-15 8.8			
7	17121036	2	Clamp, hose			
8	17121025	1	Hose, by-pass			
9	17121037	1	Case, Assy thermostat			
10	17121027	1	Thermostat			
11	17111021	1	Gasket			
12	17111020	1	FITTING,water outlet			
13	17121060	1	Bolt			
14A	52101263	1	Bolt DIN 931 M8-50 8.8			
14B	53038008	1	Washer DIN 6798-A 8			
15	13321014	1	Gasket [NP]			
16	52101268	1	Bolt DIN 931 M8-75 8.8			
17	17121039	1	Bolt DIN 931 M8-45 8.8 [NP]			
18	60900980	1	Temperature Sensor			
19	17427080	1	SWITCH,THERMO			

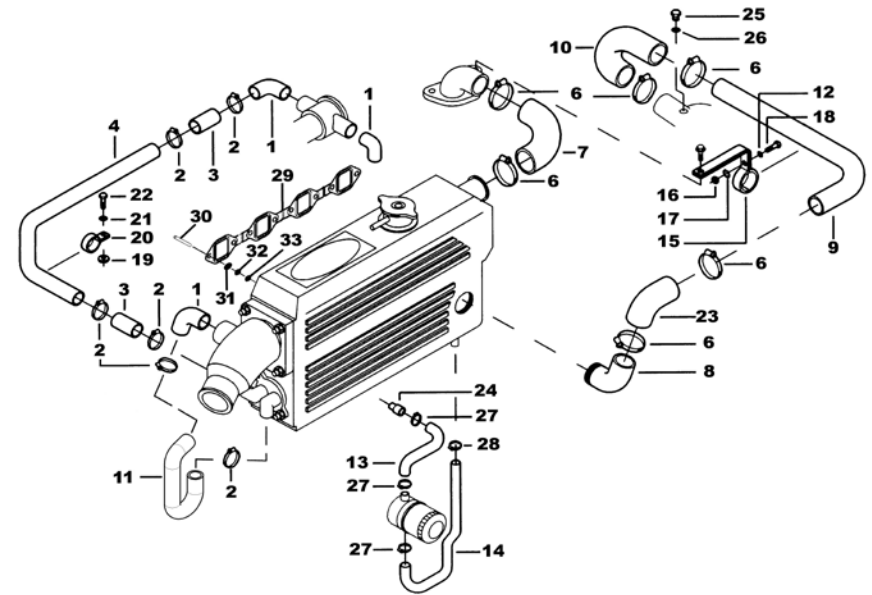


[NP] Not provided



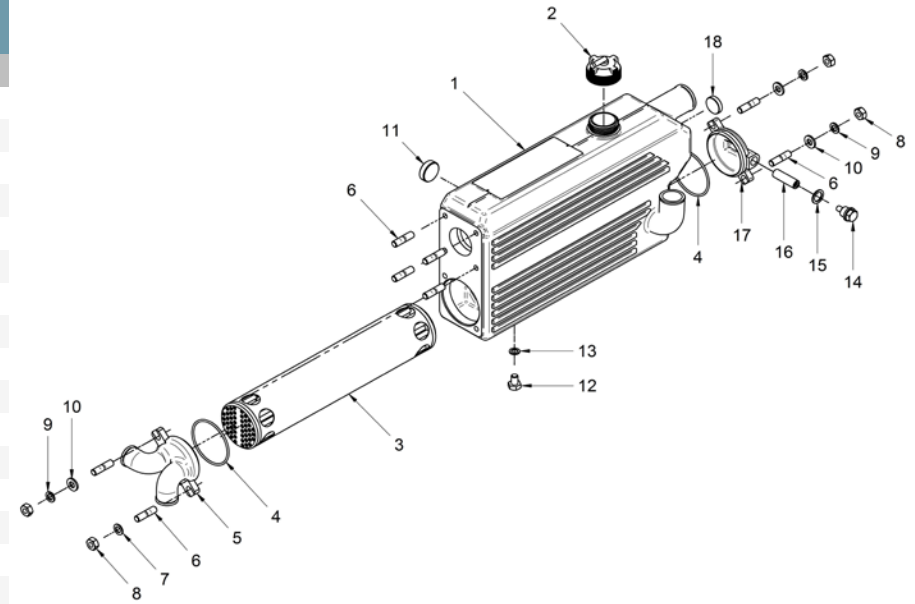


D_MI62_3_2		Cooler Pipes				
FIG.	REF.	QTY	DESCR.	FROM	UPTO	
1	14711021	2	Hose N° 1			
2	54082025	8	Clamp DIN 3017 25-40/12 W4			
3	60535008	1	Pipe 30-40-65		05/07/2017	
3	13611038	2	Pipe 30-40-75	06/07/2017		
4	17111030	1	Pipe,from pump to exchanger			
6	54082032	6	Clamp DIN 3017 32-50/12 W4			
7	17111022	1	Elbow			
8	17111011	1	Elbow 1 1/8"			
9	17011022	1	Pipe,from cooler to engine			
10	16711016	1	Rubber Elbow			
11	16111012	1	Hose			
12	51030006	1	Washer DIN 125-6			
13	17111018	1	Elbow			
14	17111016	1	Pipe			
15	17111029	1	Bracket Clamp			
16	52120006	1	Nut DIN 934 M6 8.8			
17	53033006	1	Washer GROWER DIN 127-6			
18	52102156	1	Bolt DIN 933 M6-16 8.8			
19	18517013	1	Spacer 10X20X7			
20	17111024	1	Bracket Clamp			
21	53033010	1	Washer GROWER DIN 127-10			
22	52202308	1	Bolt DIN 933 M10-1,25-25 8.8			
23	15211026	1	Elbow,rubber	06/07/2017		
23	17111028	1	Elbow, rubber		05/07/2017	
24	17124053	1	Joint			
25	12111076	1	Plug			
26	56000073	1	Copper Washer 16-23-1,5			
27	54081012	3	Clamp DIN 3017 12-22/9 W4			
28	54081020	1	Clamp DIN 3017 20-32/9 W4			
29	17121035	1	Gasket, Exhaust Manifold			
30	13311006	8	Stud,cover			
31	51030008	8	Washer DIN 125-8		17/10/2017	
32	53038008	8	Washer DIN 6798-A 8	18/10/2017		
32	53033008	8	Washer GROWER DIN 127-8		17/10/2017	
33	17120049	8	Nut M8			





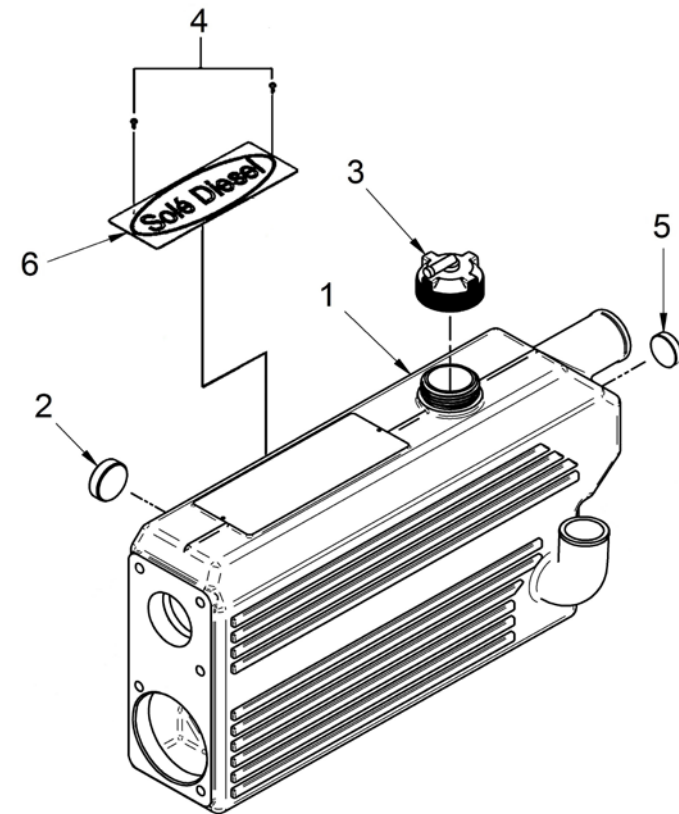
17111000		Water Cooler Assy MINI-62			
FIG.	REF.	QTY	DESCR.	FROM	UPTO
1	17111001	1	Body, Water Cooler [NP]		
2	13811010	1	Cap		
3	17111004	1	Tubular Bundle		
4	18011008	2	O-Ring D. 72X3		
5	18011003	1	Water Cooler Cover		
6	16511007	8	Stud		
7	51035010	1	Washer DIN 433 10		
8	52120010	4	Nut DIN 934 M10 8.8		
9	53033010	4	Washer GROWER DIN 127-10		
10	51030010	3	Washer DIN 125-10		
11	16513004	1	Plug 1"		
12	54102306	1	Bolt DIN 933 M10-16 INOX.		
13	56000061	1	Washer 10-16-1,5		
14	18011009	1	Anode Plug		
15	56000073	1	Copper Washer 16-23-1,5		
16	18011031	1	Engine Anode		
17	18011002	1	Water Cooler Cover		
18	12113092	1	Plug		



[NP] Not provided



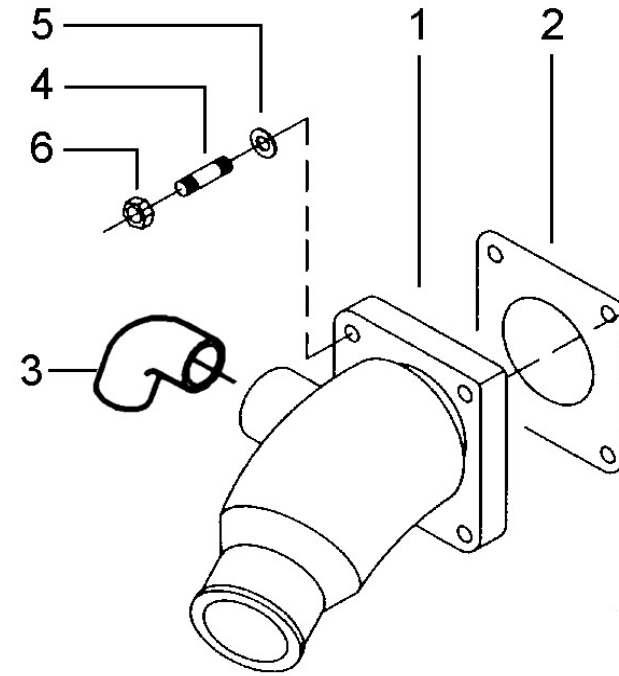
17111001C		Body, Water Cooler And Cap			
FIG.	REF.	QTY	DESCR.	FROM	UPTO
1	17111001	1	Body, Water Cooler [NP]		
2	16513004	1	Plug 1"		
3	13811010	1	Cap		
4	17111062	2	Bolt		
5	12113092	1	Plug		
6	17111060	1	Plate "SOLE Diesel" [NP]		



[NP] Not provided

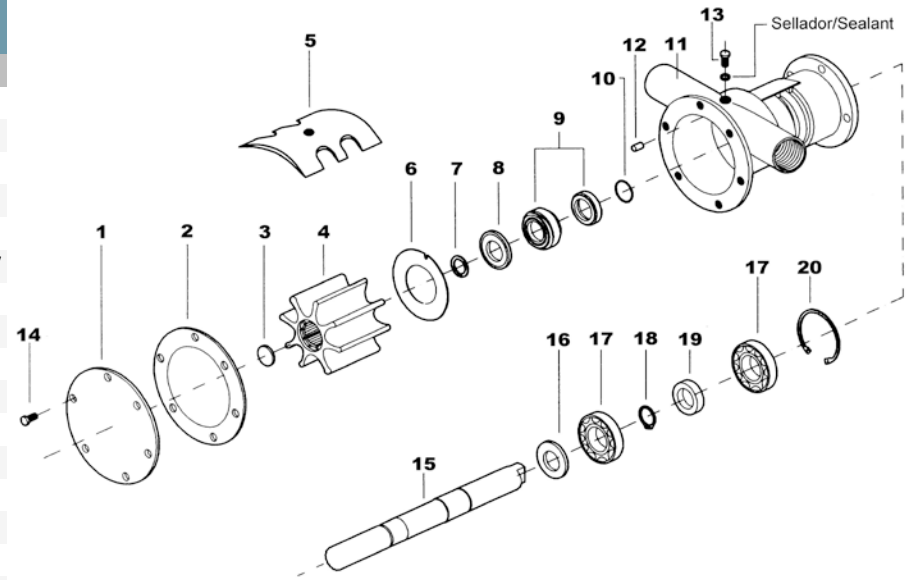


D_MI62_3_3		Wet Exhaust				
FIG.	REF.	QTY	DESCR.	FROM	UPTO	
1	17113015	1	Elbow,wet exhaust			
2	17113016	1	Gasket			
3	14711021	1	Hose N° 1			
4	16511007	4	Stud			
5	51030010	4	Washer DIN 125-10		17/10/2017	
5	53033010	4	Washer GROWER DIN 127-10	18/10/2017		
6	55120110	4	Nut DIN 934 M10			



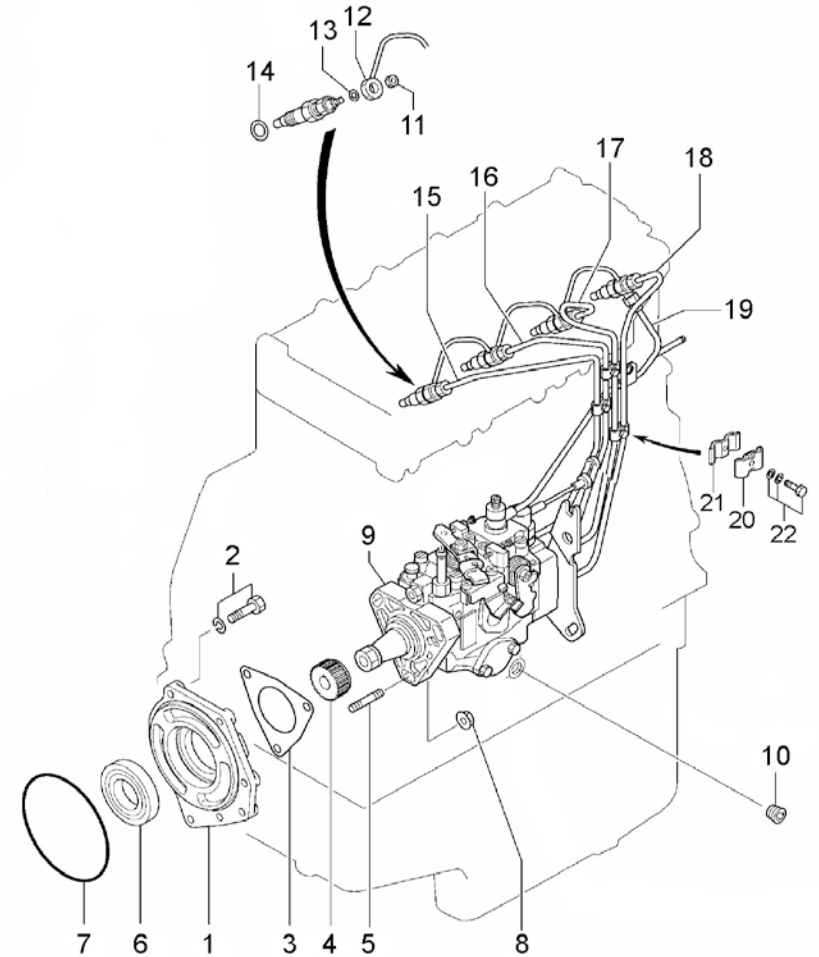


36511000		1" Water Pump, Set			
FIG.	REF.	QTY	DESCR.	FROM	UPTO
1	34711002	1	Cover Pump		
2	34711003	1	Gasket Cover		
3	34711041	1	Impeller Plug		
4	34711008	1	1" Impeller		
5	34711005	1	Cam		
5	37811005	1	Cam 6,5 mm	23/05/2017	25/09/2017
6	34711026	1	Plate,Friction		
7	54040016	1	CIRClip E-16		
8	36511018	1	Washer,seal		
9	36511019	1	Seal		
10	33311013	1	O-Ring D. 15X2		
11	36511001	1	Body,water pump		
12	36511017	1	Pin,Dowel	18/05/2007	
13	54108154	1	Bolt DIN 84 M6-10		
14	54102154	6	Bolt DIN 933 M6-10 INOX		
15	36511010	1	Shaft,pump		
16	36511015	1	Spacer 17X24X7		
17	33311014	2	Ball Bearing 6203		
18	53040017	1	CIRClip DIN 471 E-17		
19	36511020	1	Seal 16-30-7		
20	53041040	1	CIRClip DIN 472 I-40		





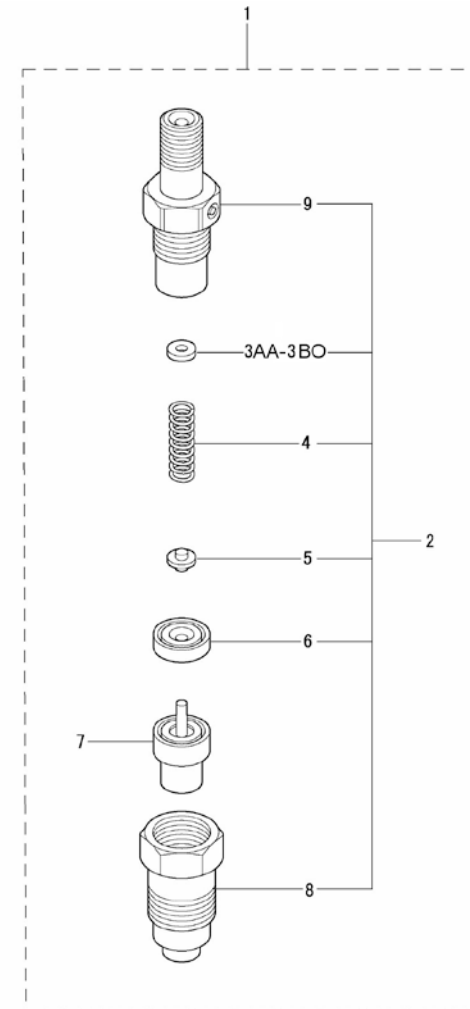
D_MI62_4_1		Fuel Pipe				
FIG.	REF.	QTY	DESCR.	FROM	UPTO	
1	17125005.2	1	Flange,INJ.Pump			
2	17125004.1	1	Bolt			
3	17125007	1	Gasket			
4	17125003.1	1	HUB,SPLINE			
5	17125009.1	3	Stud			
6	17124009	1	Ball Bearing 6909			
7	13325001	1	O-Ring			
8	17125008.1	3	Nut,Flange			
9	17125001.2	1	Pump Assy,INJ			
10	17820011	1	Plug, Tapered [NP]	12/07/2017		
10	13120011	1	Plug, Tapered [NP]		12/07/2017	
11	13824024	4	Nut			
12	17124005	1	Pipe, Fuel Leak OFF			
13	17424025G.1	4	Gasket Fuel Return (Genset)			
14	13824013	4	Injector Washer			
15	17124015.1	1	Pipe Injection N.1			
16	17124016.1	1	Pipe Injection N.2			
17	17124019.1	1	Pipe Injection N.3			
18	17124022.1	1	Pipe Injection N.4			
19	17124006.1	1	Pipe Fuel,Return			
20	13124018	3	Clamp (A)			
21	13124017	3	Clamp (B)			
22	17524025	3	Bolt,W/Washer			



[NP] Not provided



D_MI62_4_2		Injection Nozzle			
FIG.	REF.	QTY	DESCR.	FROM	UPTO
1	17126001.2	4	Nozzle, Assy		
2	(*)	4	Not available [NP]		
3	13826017	0	Washer 1,60 [VAR]		
3	13826015	0	Washer 1,50 [VAR]		
3AÑ	17126057	0	Washer 1.825 [VAR]		
3AA	17126062	0	Washer 1.950 [VAR]		
3AB	17126033	0	Washer 1.225 [VAR]		
3AC	17126056	0	Washer 1.800 [VAR]		
3AF	17126020	0	Washer 0.900 [VAR]		
3AG	17126039	0	Washer 1.375 [VAR]		
3AH	13826010	0	Washer 1,25 [VAR]		
3AI	17126045	0	Washer 1.525 [VAR]		
3AJ	17126053	0	Washer 1.725 [VAR]		
3AK	13826019	0	Washer 1,65 [VAR]		
3AL	17126029	0	Washer 1.125 [VAR]		
3AM	17126023	0	Washer 0.975 [VAR]		
3AN	17126031	0	Washer 1.175 [VAR]		
3AO	17126058	0	Washer 1.850 [VAR]		
3AP	17126025	0	Washer 1.025 [VAR]		
3AQ	13826013	0	Washer 1,40 [VAR]		
3AR	13826020	0	Washer 1,70 [VAR]		
3AS	17126059	0	Washer 1.875 [VAR]		
3AT	17126041	0	Washer 1.425 [VAR]		
3AU	17126051	0	Washer 1.675 [VAR]		
3AV	17126022	0	Washer 0.950 [VAR]		
3AW	17126055	0	Washer 1.775 [VAR]		
3AX	17126061	0	Washer 1.925 [VAR]		
3AY	17126037	0	Washer 1.325 [VAR]		
3AZ	17126030	0	Washer 1.150 [VAR]		
3BÑ	17126026	0	Washer 1.050 [VAR]		
3BA	13826014	0	Washer 1,45 [VAR]		
3BB	13826016	0	Washer 1,55 [VAR]		
3BC	13826012	0	Washer 1,35 [VAR]		
3BD	17126024	0	Washer 1.000 [VAR]		
3BE	17126028	0	Washer 1.100 [VAR]		

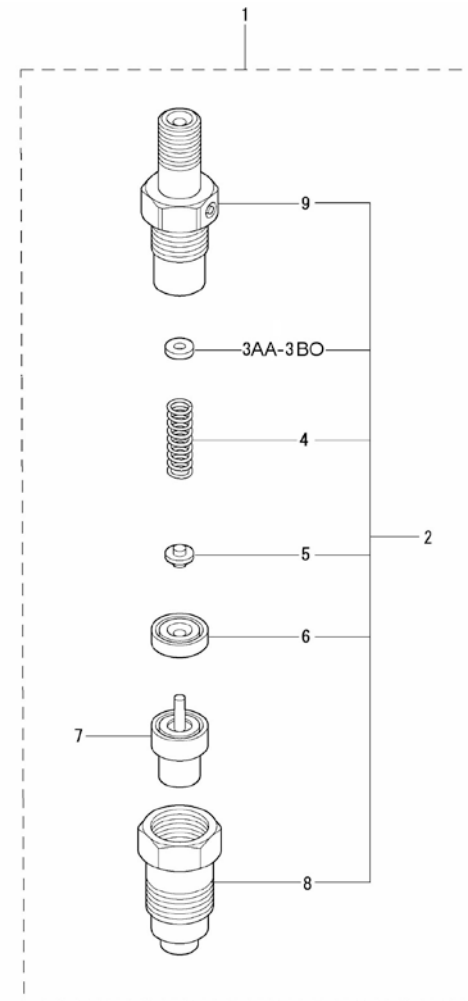


[NP] Not provided

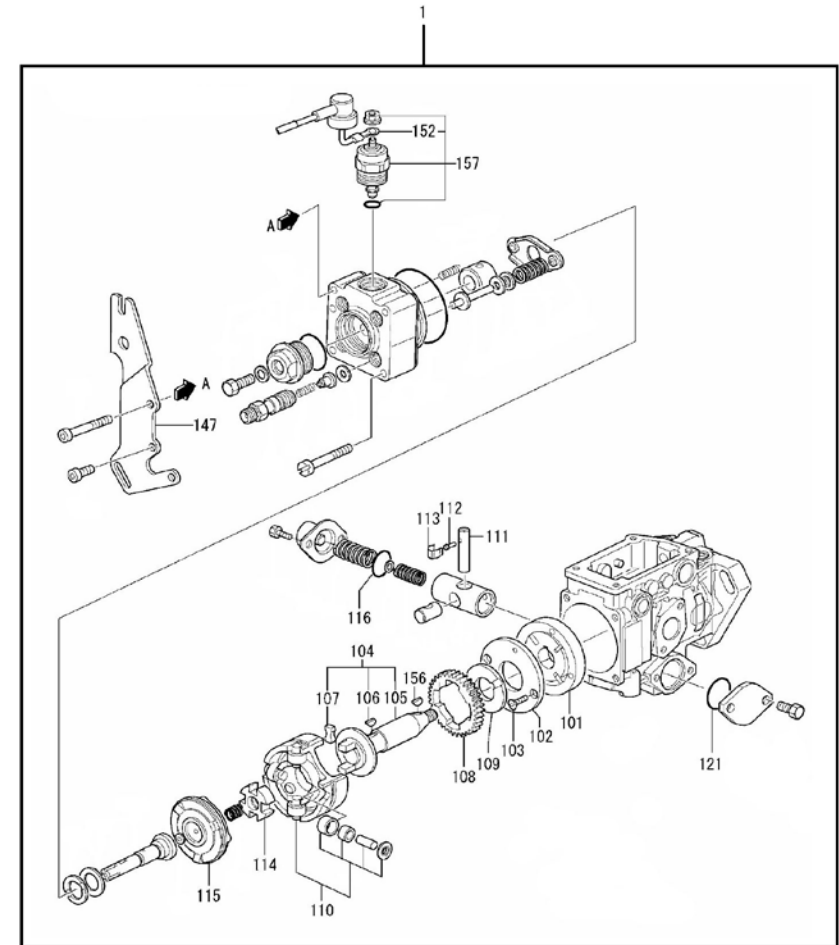
[VAR] Variable according to repair



D_MI62_4_2		Injection Nozzle				
FIG.	REF.	QTY	DESCR.	FROM	UPTO	
3BF	13826011	0	Washer 1,30 [VAR]			
3BG	17126027	0	Washer 1.075 [VAR]			
3BH	17126043	0	Washer 1.475 [VAR]			
3BI	17126049	0	Washer 1.625 [VAR]			
3BJ	17126047	0	Washer 1.575 [VAR]			
3BK	17126021	0	Washer 0.925 [VAR]			
3BL	17126060	0	Washer 1.900 [VAR]			
3BM	17126035	0	Washer 1.275 [VAR]			
3BN	17126032	0	Washer 1.200 [VAR]			
3BO	17126054	0	Washer 1.750 [VAR]			
4	17226004	4	Spring, Pressure			
5	13826003	4	Pin Pressure			
6	13826007	4	PIECE DISTANCE			
7	17126018.2	4	TIP Assy, Nozzle			
8	17226006	4	Nut, Nozzle RETAINING			
9	17126003	4	Holder			

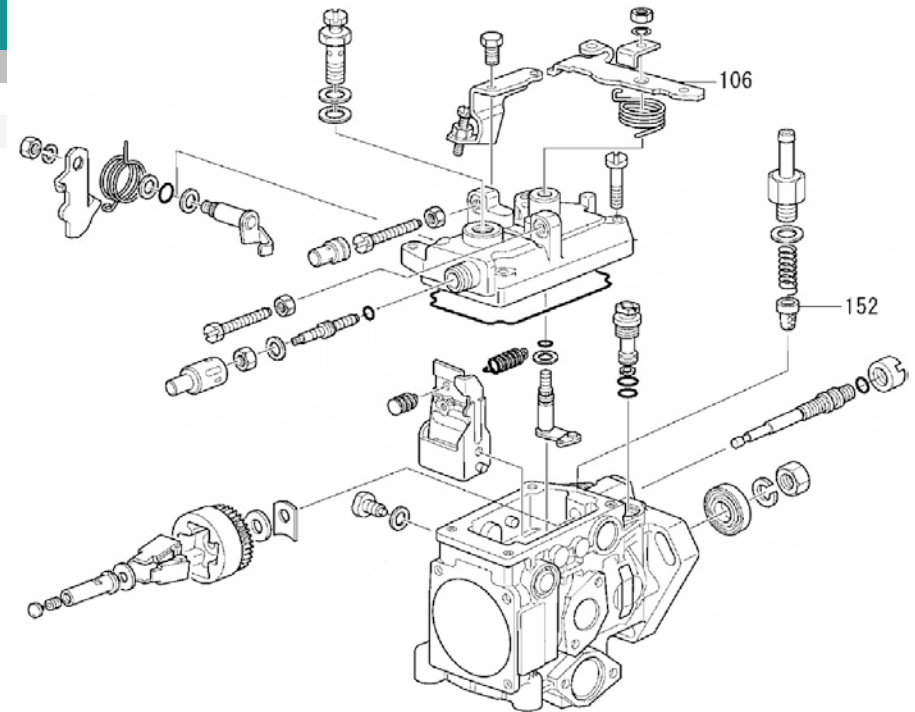


D_MI62_4_3		Fuel Injection Pump 1/2			
FIG.	REF.	QTY	DESCR.	FROM	UPTO
1	17125001.2	1	Pump Assy,INJ		
101	17125001.1.01	1	Feed Pump		
102	17125001.1.02	1	Cover POMPE		
103	17125001.1.03	2	Screw		
104	17125001.1.04	1	Shaft,Drive		
105	17125001.1.05	1	Shaft,Drive		
106	17125001.1.06	1	KEY,WOODRUFF		
107	17125001.1.07	2	Damper		
108	17125001.1.08	1	Gear		
109	17125001.1.09	1	Washer		
110	17125001.1.10	1	Roller Assy		
111	17125001.1.11	1	Pin		
112	17125001.1.12	1	Pin		
113	17125001.1.13	1	Clip		
114	17125001.1.14	1	Disk		
116	17125001.1.121	1	O-Ring D. 30X3		
121	17125001.1.121	1	O-Ring D. 30X3		
147	17125038.1	1	Bracket		
152	17125302.1	1	Wire		
156	17125060.2	1	KEY		
157	17125300.2	1	Valve MAGNET		

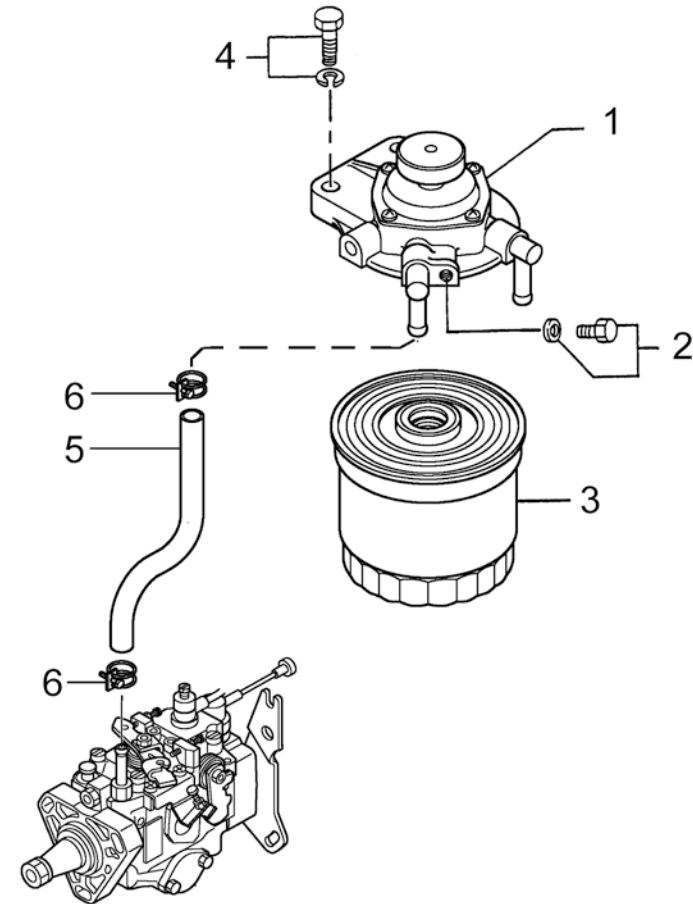




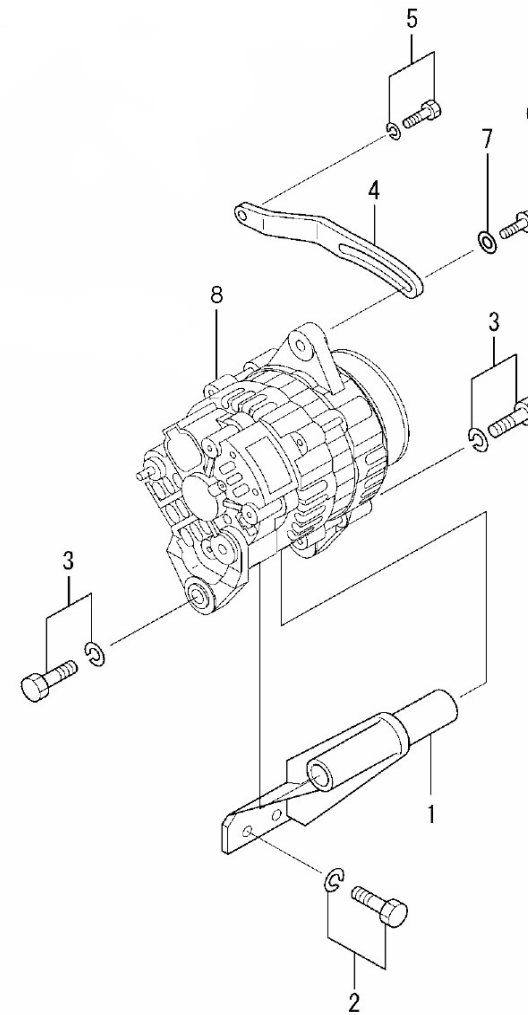
D_MI62_4_4 Fuel Injection Pump 2/2						
FIG.	REF.	QTY	DESCR.	FROM	UPTO	
106	17125001.106	1	Lever (MARK 255)			
152	17125001.1.152	1	Filter			



D_MI62_4_5		Fuel Filter				
FIG.	REF.	QTY	DESCR.	FROM	UPTO	
1	17124021	1	Body Assy			
2	17124073	1	Plug,Air			
3	17114022	1	Gas-Oil Filter Element			
4A	52102259	2	Bolt DIN 933 M8-30 8.8			
4B	53033008	2	Washer GROWER DIN 127-8			
5	17114006	1	Pipe			
6	51086015	2	One Ear Clamp With Interior Ring			



D_MI62_5_1		Kit Alternator 12V/40A			
FIG.	REF.	QTY	DESCR.	FROM	UPTO
1	17127002	1	Bracket Alternator		
2	13322079	2	Bolt		
3	13327004	2	Bolt DIN 933 M10-1,25-30 8.8 [NP]		
4	17127007	1	BRACE Generator		
5	17121012	1	Bolt, w/washer		
6	13827012	1	Bolt		
7	51031008	1	Washer DIN 9021 8		
8	17127010	1	Alternator 12V/40A		
NS	15217103	1	Belt Type AX 38 [NS]		

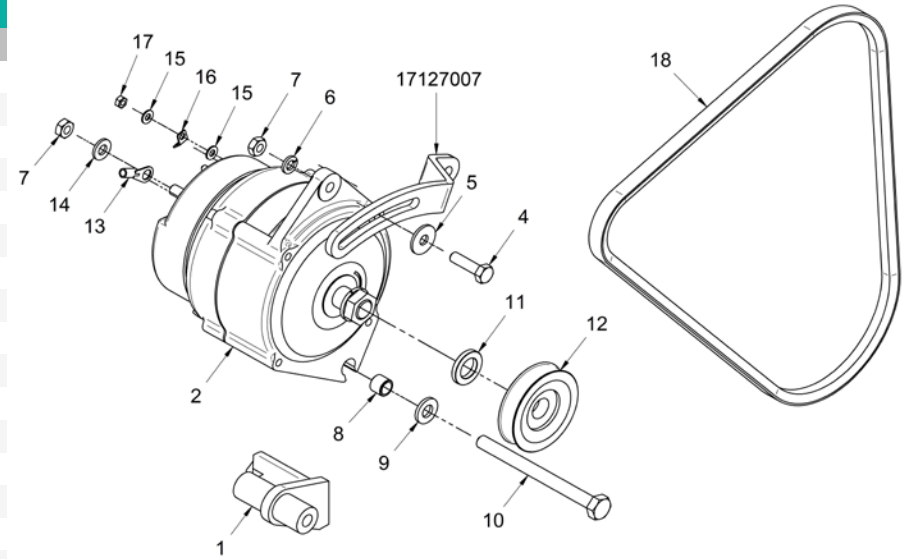


[NP] Not provided
 [NS] Not shown

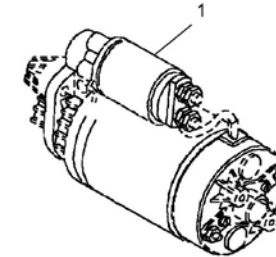




17117110		Kit Alternator 14V.95A.			
FIG.	REF.	QTY	DESCR.	FROM	UPTO
1	17127002.6	1	Bracket Alternator		
2	17117025	1	Alt. 14V/95A Mahle	13/04/2016	
4	52102259	1	Bolt DIN 933 M8-30 8.8		
5	51031008	1	Washer DIN 9021 8		
6	53033008	1	Washer GROWER DIN 127-8		
7	52120008	2	Nut DIN 934 M8 8.8		
8	17417025	1	Spacer 13.5x10.2x11	09/09/2015	
9	51030010	1	Washer DIN 125-10		
10	52101325	1	Bolt DIN 931 M10-120 8.8		
11	13817016	1	Spacer 17X28X4		
12	17117016.7	1	Pulley		
13	TR.10.8	1	Ring Terminal 10 Sec.		
14	51030008	1	Washer DIN 125-8		
15	51030005	2	Washer DIN 125-5		
16	TFM.6.3.T.5.l	1	Straight Receptacle 6.3 Faston		
17	52120005	1	Nut DIN 934 M5 8.8		
18	17117021	1	Belt Type SPAX 1030		

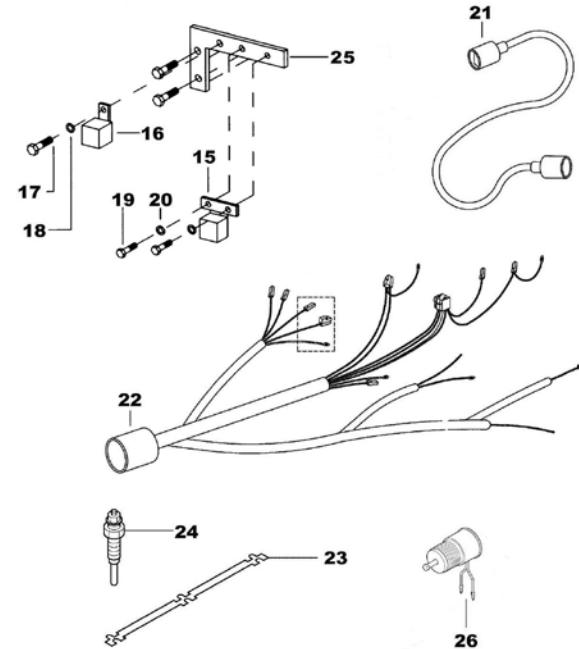
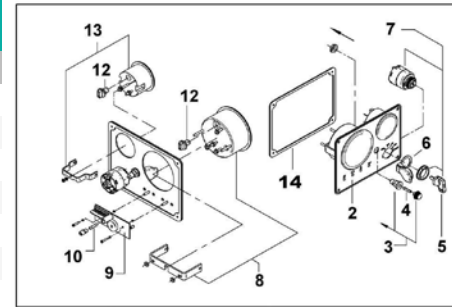


D_MI62_5_3 Starter						
FIG.	REF.	QTY	DESCR.	FROM	UPTO	
1	17127001	1	Starter Assy 12 V			





D_MI62_5_5		12V Electrical Wiring			
FIG.	REF.	QTY	DESCR.	FROM	UPTO
1	60971125.2	1	SVT 20 MINI-62 Panel (Repl.) [NP]		
2	60938005	1	Panel N.2		
3	60900121	1	FuseHolder, panel		
4	60900118	1	Fuse 10 A.		
5	60900036	1	Key,Starter Switch		
6	60900038	1	Cover,KEY		
7	60900037	1	Key-Locking		
8	60971910	1	Tachometer MINI-62		
9	60900301.2	1	V3 C.I. 12V Prop. Engine Board.Varnished [NP] 23/06/2015		
10	60900119	1	Fuse 0.5A		
12	60900929	2	Bulb 12V		
13	60900915R	1	Water Gauge 12 V		
14	60938006	1	Gasket Panel		
15	13827005	1	Glow Relay		
16	13817005	1	Relay 6V		
17	52102104	1	Bolt DIN 933 M5-10 8.8		
18	51030005	1	Washer DIN 125-5		
19	52102155	2	Bolt DIN 933 M6-12 8.8		
20	51030006	2	Washer DIN 125-6		
21	60985210	1	Engine Wiring Ext. 4 M.		
22	60971200R.2	1	MINI-62 Electrical Wiring		
23	17127018	1	Plate, Connection		
24	17127017	4	Plug, glow		
25	17117001	1	Support,relay		
26	17125300.1	1	Valve MAGNET		

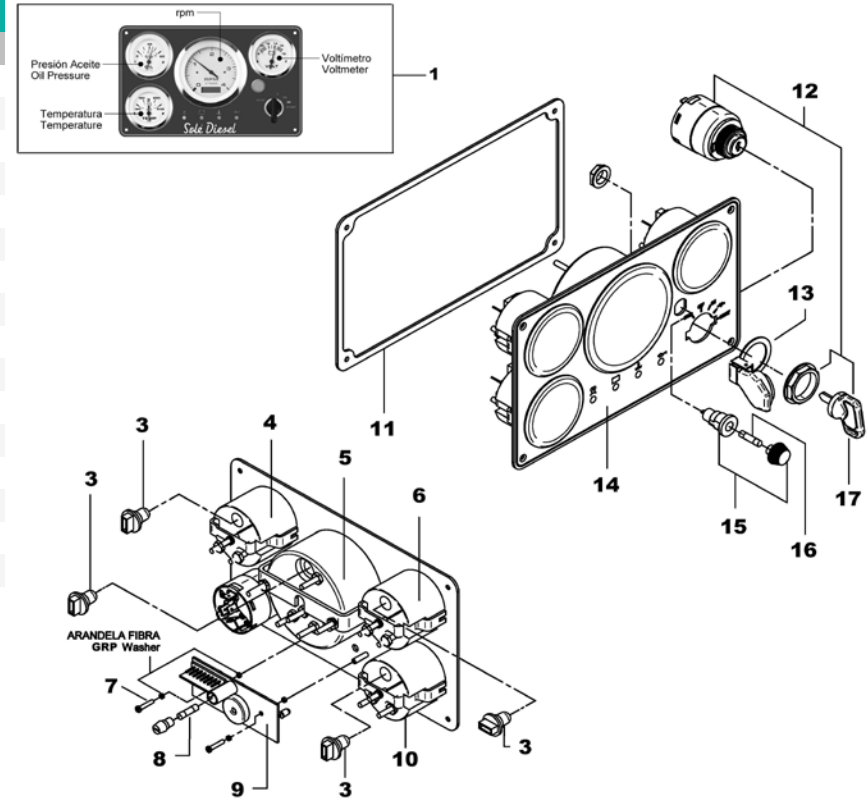


[NP] Not provided





D_MI62_5_6		Deluxe Instrument Panel			
FIG.	REF.	QTY	DESCR.	FROM	UPTO
1	60971127.2	1	SVT 30 MINI-62 Panel (Repl.)		
3	60900929	4	Bulb 12V		
4	60900925R	1	VOLTMETER 12 V		
5	60971910	1	Tachometer MINI-62		
6	60900920R	1	Oil Pressure Gauge 12 V		
7	54108003	1	Bolt DIN 84 M3-8 INOX.		
8	60900119	1	Fuse 0.5A		
9	60900301.2	1	V3 C.I. 12V Prop. Engine Board.Varnished [NP] 23/06/2015		
10	60900915R	1	Water Gauge 12 V		
11	60990006	1	Gasket Panel		
12	60900037	1	Key-Locking		
13	60900038	1	Cover,KEY		
14	60990005	1	Panel N.3		
15	60900121	1	FuseHolder, panel		
16	60900118	1	Fuse 10 A.		
17	60900036	1	Key,Starter Switch		

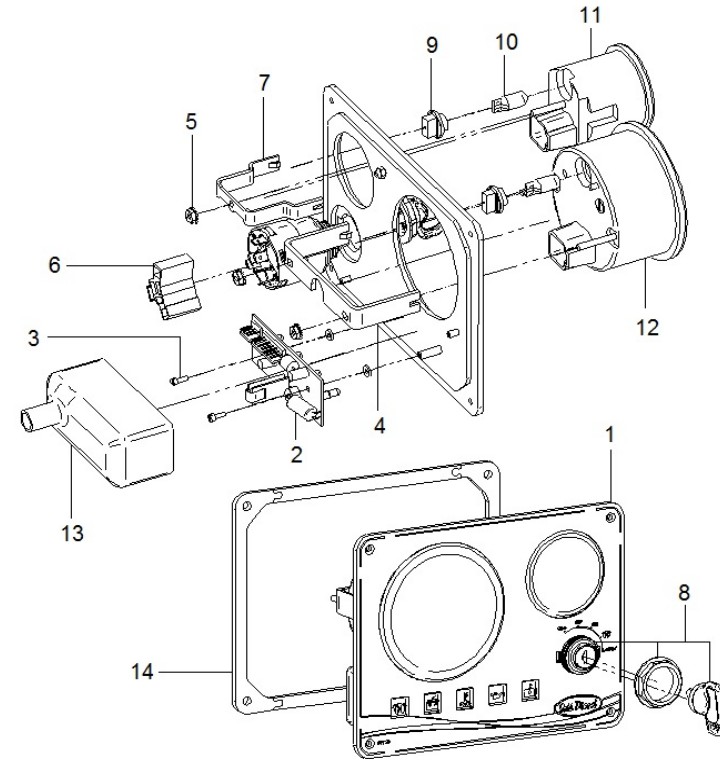


[NP] Not provided





D_60971135		SVT 20 MINI-62 Panel			
FIG.	REF.	QTY	DESCR.	FROM	UPTO
1	60938005.1	1	Panel N.2		
2	60900301.2	1	V3 C.I. 12V Prop. Engine Board.Varnished [NP]		
3	54108003	2	Bolt DIN 84 M3-8 INOX.		
4	60900910.1	1	MTG Bracket 3" LG GA AMEGA		
5	60900910.2	3	Nut 8-32 W/CapTIVE STAR Washer		
6	60900037.2	1	Connector		
7	60900915.2	1	MTG Bracket		
8	60900037	1	Key-Locking		
9	60900931	2	SOCKET,WEDGE BASE		
10	60900929	2	Bulb 12V		
11	60900937	1	Water Gauge 12 V		
12	60971912	1	Tachometer MINI-62 SVT		
13	60900096	1	Cover Plate for Motor Propeller		
14	60938006.1	1	Gasket Panel		
NS	60910012	1	System Back Panel SVT/MVT 20 12V [NS]	07/12/2016	
NS	60900091	1	MICRO Relay 12V 12-20 [NS]		

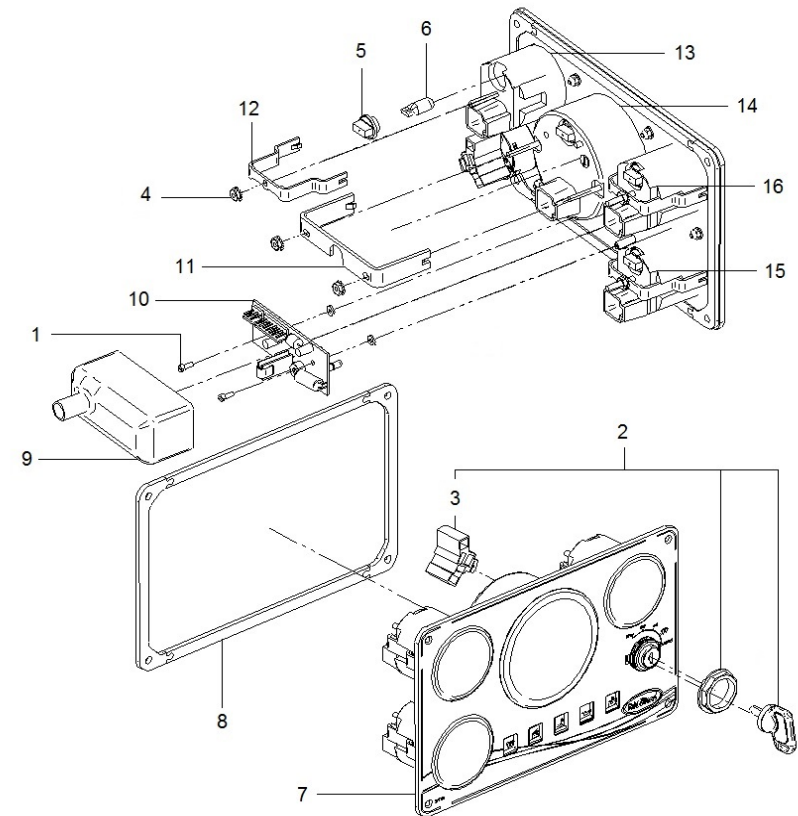


[NP] Not provided
 [NS] Not shown





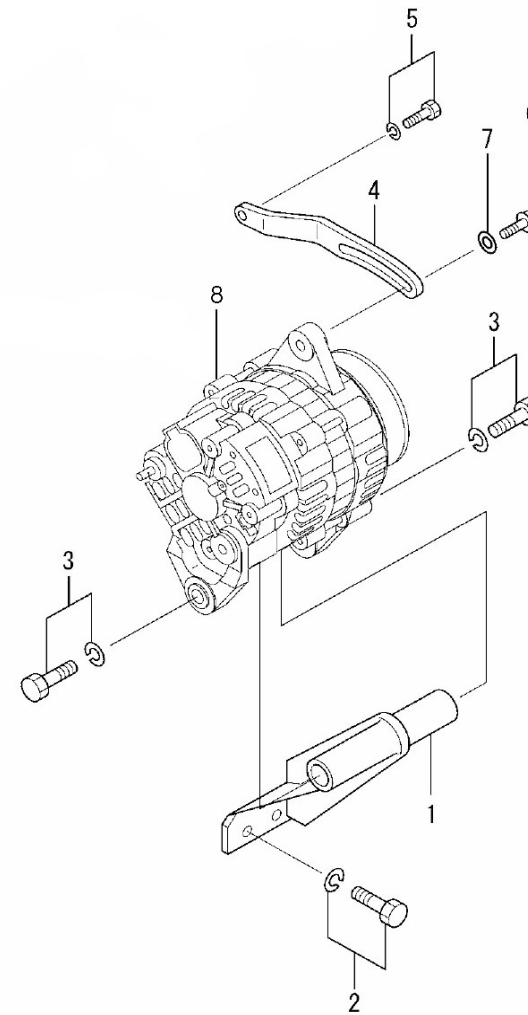
D_60971138 SVT 30 MINI-62 Panel						
FIG.	REF.	QTY	DESCR.	FROM	UPTO	
1	54108003	2	Bolt DIN 84 M3-8 INOX.			
2	60900037	1	Key-Locking			
3	60900037.2	1	Connector			
4	60900910.2	5	Nut 8-32 W/CapTIVE STAR Washer			
5	60900931	4	SOCKET,WEDGE BASE			
6	60900929	4	Bulb 12V			
7	60990005.1	1	Panel N.3			
8	60990006.1	1	Gasket Panel			
9	60900096	1	Cover Plate for Motor Propeller			
10	60900301.2	1	V3 C.I. 12V Prop. Engine Board.Varnished [NP]			
11	60900910.1	1	MTG Bracket 3" LG GA AMEGA			
12	60900915.2	3	MTG Bracket			
13	60900941	1	VOLTMETER 12V			
14	60971912	1	Tachometer MINI-62 SVT			
15	60900937	1	Water Gauge 12 V			
16	60900939	1	Oil Pressure Gauge 12V			
NS	60910014	1	System Back Panel SVT/MVT 30 12V [NS]	07/12/2016		
NS	60900091	1	MICRO Relay 12V 12-20 [NS]			



[NP] Not provided
 [NS] Not shown



D_MI62_6_1		Kit Alternator 28V/55A			
FIG.	REF.	QTY	DESCR.	FROM	UPTO
1	17127002.4	1	Alternator Bracket, ISKRA 28V/55A		
2	13322079	2	Bolt		
3	13327004	2	Bolt DIN 933 M10-1,25-30 8.8 [NP]		
4	17127007.1	1	Brace Generator		
5	17121012	1	Bolt, w/washer		
6	13827012	1	Bolt		
7	51031008	1	Washer DIN 9021 8		
8	17417024	1	Alternator 28V/55A		
NS	17117021	1	Belt Type SPAX 1030 [NS]		
NS	17117022	1	Pulley Alternator, Type A [NS]		

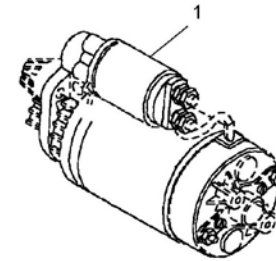


[NP] Not provided
 [NS] Not shown



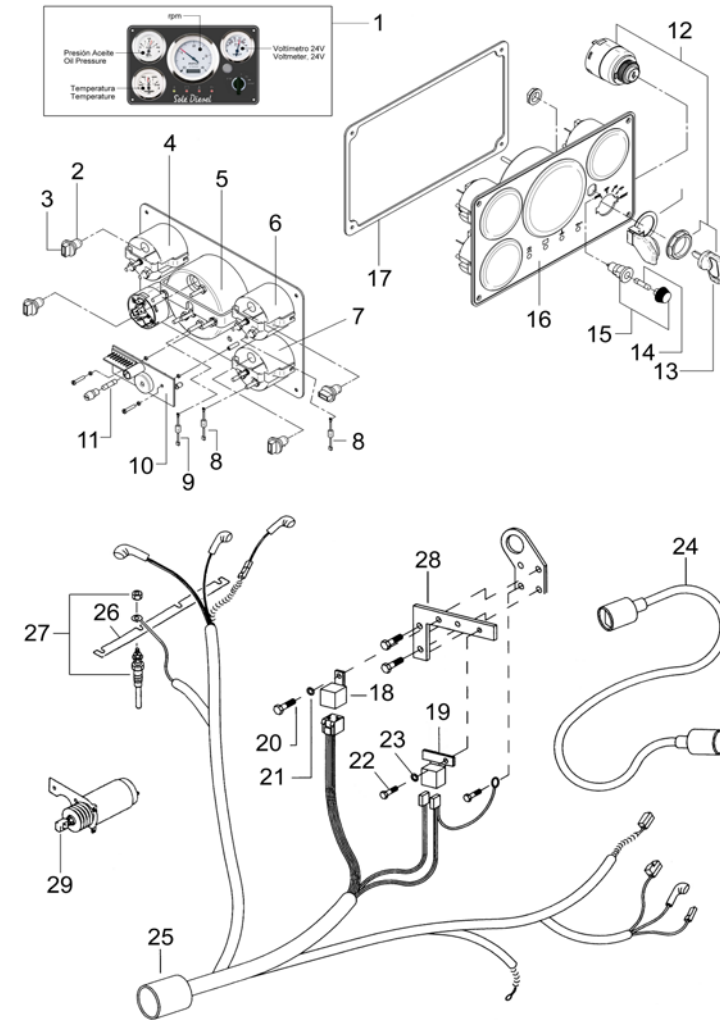


D_MI62_6_3		Starter				
FIG.	REF.	QTY	DESCR.	FROM	UPTO	
1	17127001.2	1	Starter Assy 24V			





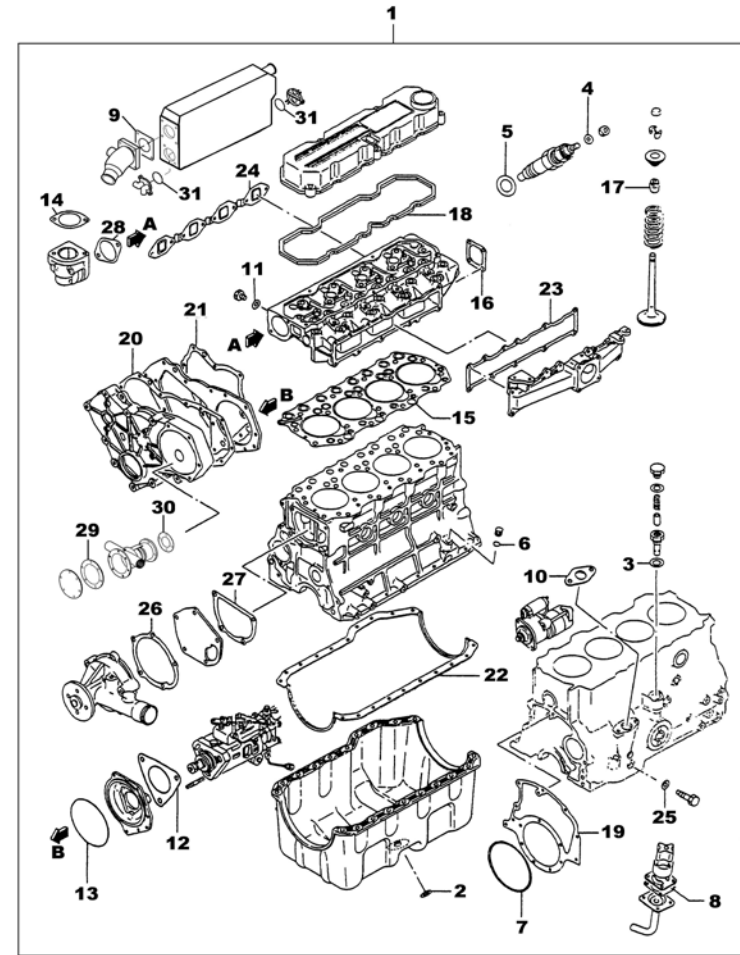
D_MI62_6_5		24V Electrical Wiring			
FIG.	REF.	QTY	DESCR.	FROM	UPTO
1	60971130	1	Panel DeLuxe 24V GRADUADO		
2	60900930	3	Bulb GE400 WEDGE BASE 24V		
3	60900931	3	SOCKET,WEDGE BASE		
4	60900926R	1	VOLTMETER 24 V		
5	60971911	1	Tachometer MINI-62 24V.		
6	60900921R	1	Oil Pressure Gauge 24 V		
7	60900916R	1	Water Gauge 24 V		
8	60900933	2	VOLTAGE REDUCER 7W		
9	60900932	1	VOLTAGE REDUCER 5W 100 ohm TE		
10	60900302.1	1	Integrated Circuit Plate 24V v2 [NP]		
11	60900119	1	Fuse 0.5A		
12	60900037	1	Key-Locking		
13	60900036	1	Key,Starter Switch		
14	60900118	1	Fuse 10 A.		
15	60900121	1	FuseHolder, panel		
16	60990005	1	Panel N.3		
17	60990006	1	Gasket Panel		
18	19017005	1	Relay 24V 24/22A		
19	17417005	1	Relay 24V 24-100		
20	52102104	1	Bolt DIN 933 M5-10 8.8		
21	51030005	1	Washer DIN 125-5		
22	52102155	2	Bolt DIN 933 M6-12 8.8		
23	51030006	2	Washer DIN 125-6		
24	60985210	1	Engine Wiring Ext. 4 M.		
25	60971200R.2	1	MINI-62 Electrical Wiring		
26	17127018	1	Plate, Connection		
27	17527017.2	4	Glow Plug 24V		
28	17117001	1	Support,relay		
29	17125301A	1	SOLENOID 24V.		



[NP] Not provided



D_17120101 Gasket Kit						
FIG.	REF.	QTY	DESCR.	FROM	UPTO	
1	17120101	1	Kit Gasket			
2	56000219	1	Washer 14-20-3			
3	17124063	1	Gasket			
4	13824025	4	Injector Gasket			
5	13824013	4	Injector Washer			
6	17120058	1	O-Ring D. 13X2,5			
7	17120053	1	O-Ring D. 120X2			
8	17124041	1	Gasket,Strainer			
9	17113016	1	Gasket			
10	17120041	1	Gasket			
11	17121013	2	Gasket			
12	17125007	1	Gasket			
13	13325001	1	O-Ring			
14	17111021	1	Gasket			
15	17121004	1	Gasket, cyl.head			
16	17121011	1	Gasket, head			
17	17122054	8	Seal,Valve Stem			
18	17121010	1	Rocker Cover Gasket			
19	17120025	1	Gasket,rear			
20	17120040	1	Gasket, timing Gear			
21	17120018	1	Gasket, front plate			
22	17120033	1	Gasket,oil pan			
23	17121032	1	Gasket, in manifold			
24	17121035	1	Gasket, Exhaust Manifold			
25	17124058	1	Gasket			
26	17121022	1	Gasket Water Pump			
27	17121041	1	Gasket			
28	13321014	1	Gasket [NP]			
29	34711003	1	Gasket Cover			
30	13310013	1	Gasket,water pump			
31	18011008	2	O-Ring D. 72X3			

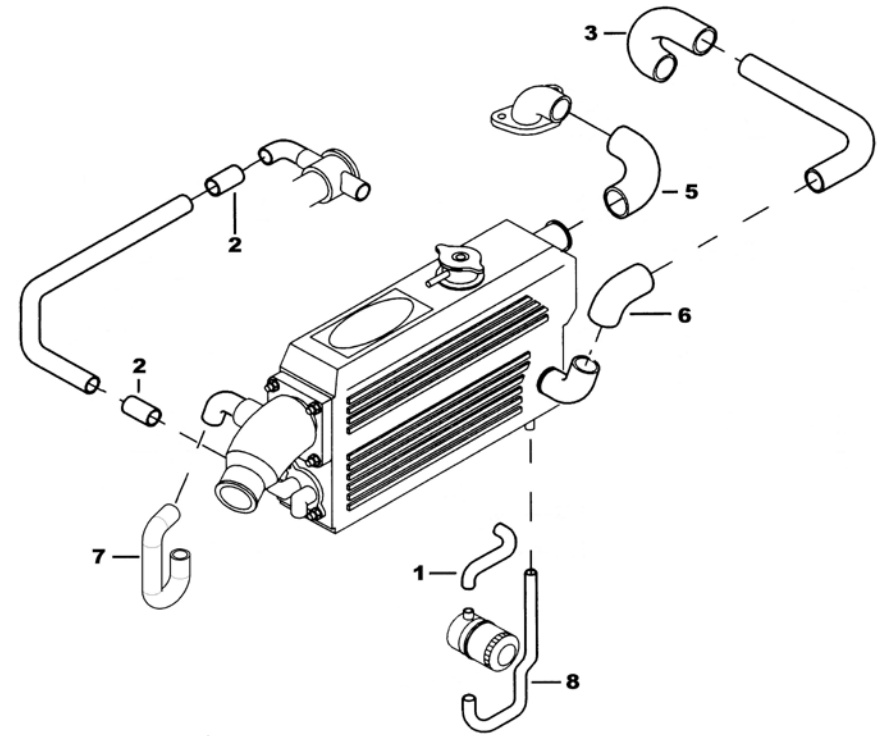


[NP] Not provided

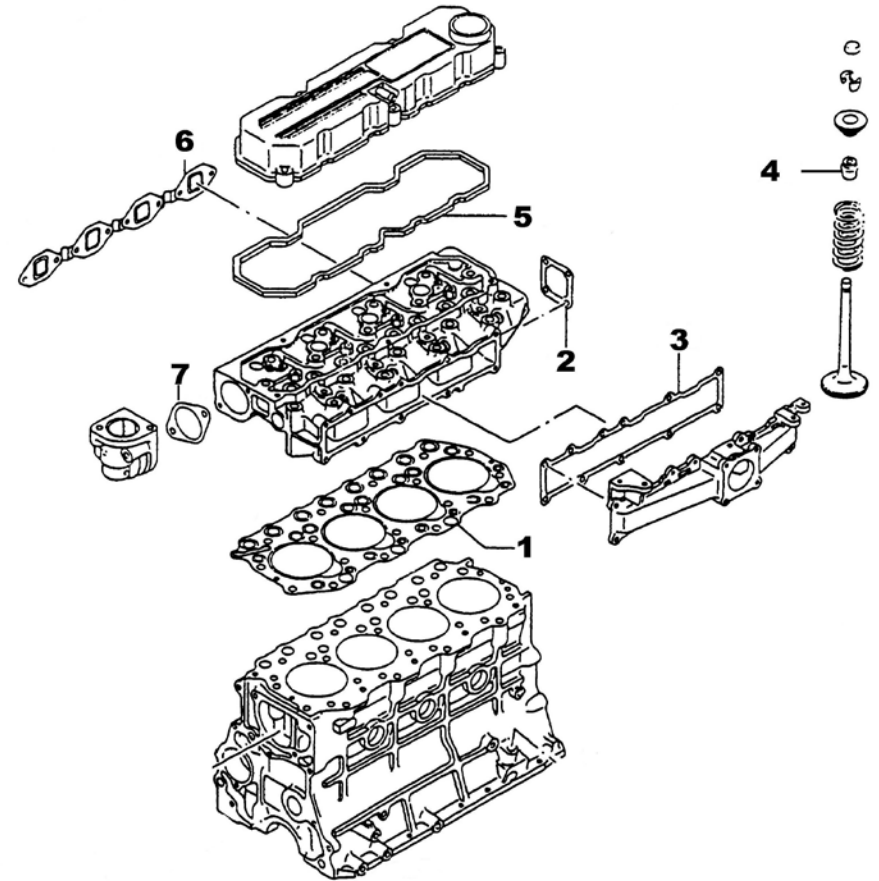




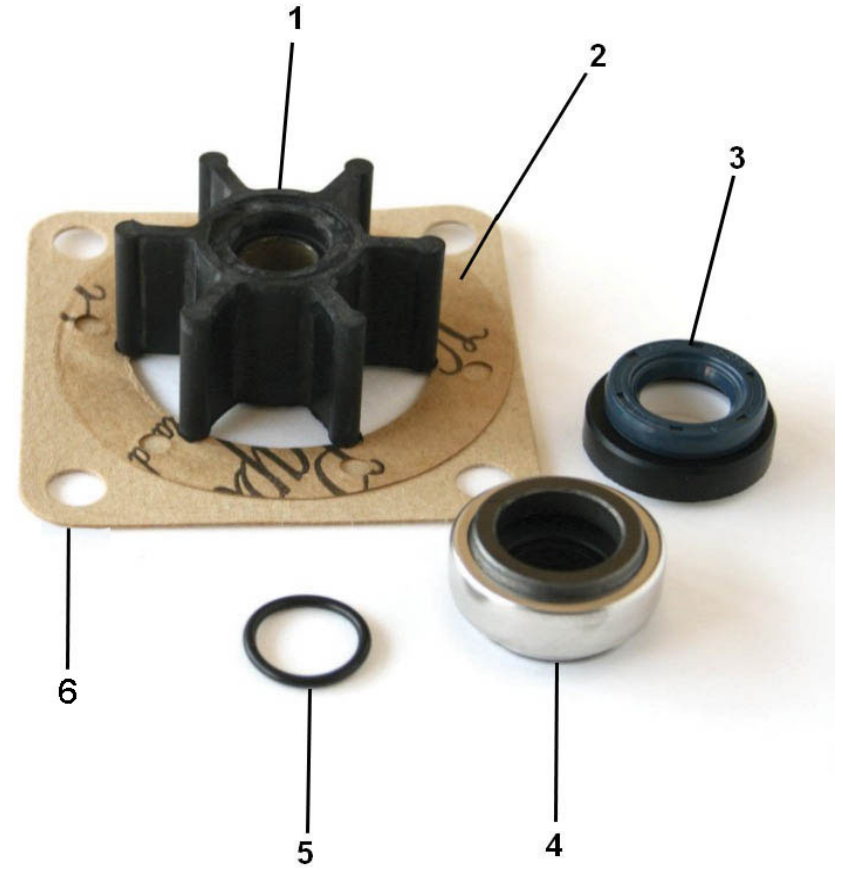
17111100 Pipe Rubber Set,water line					
FIG.	REF.	QTY	DESCR.	FROM	UPTO
1	17111018	1	Elbow		
2	13611038	2	Pipe 30-40-75		
3	16711016	1	Rubber Elbow	03/10/2014	
5	17111022	1	Elbow		
6	15211026	1	Elbow,rubber		
7	16111012	1	Hose		
8	17111016	1	Pipe		



17120101.1 Gasket Kit						
FIG.	REF.	QTY	DESCR.	FROM	UPTO	
1	17121010	1	Rocker Cover Gasket			
2	17122054	8	Seal, Valve Stem			
3	17121011	1	Gasket, head			
4	17121032	1	Gasket, in manifold			
5	17121004	1	Gasket, cyl.head			
6	17111021	1	Gasket			
7	17121035	1	Gasket, Exhaust Manifold			

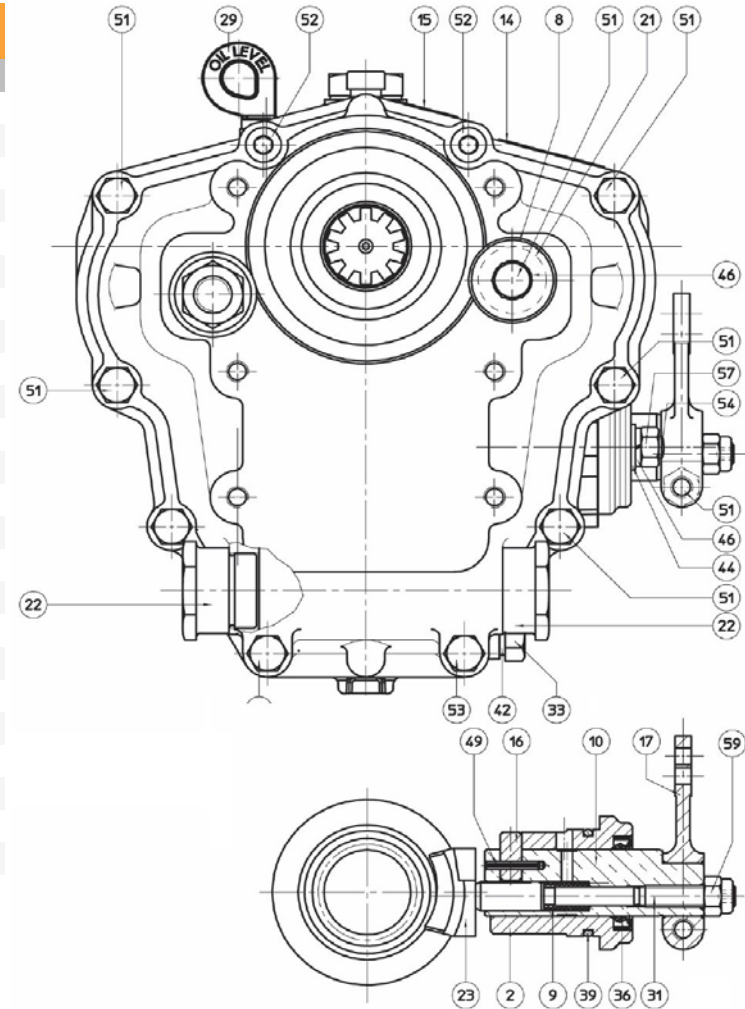


36511000K		Repair Kit Water Pump 1"			
FIG.	REF.	QTY	DESCR.	FROM	UPTO
1	34711008	1	1" Impeller		
2	34711003	1	Gasket Cover		
3	36511020	1	Seal 16-30-7		
4	36511019	1	Seal		
5	33311013	1	O-Ring D. 15X2		
6	13310013	1	Gasket,water pump		



D_5036_1 Sheet 1/2

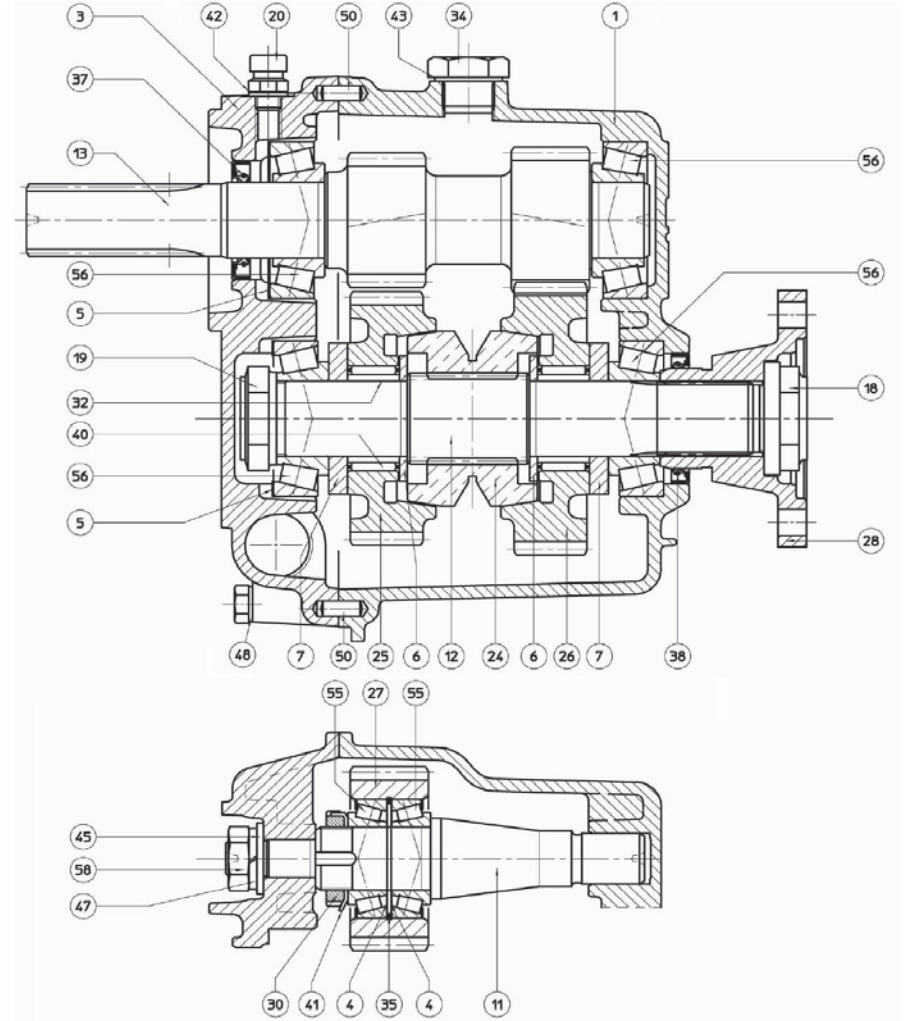
FIG.	REF.	QTY	DESCR.	FROM	UPTO
2	24880401	1	Cover		
8	24880306	1	Washer		
9	24860411	1	Spring		
10	24880402	1	Shaft		
14	24850005	1	Plate, IDENTIFICATION		
15	24860006	1	ATF Oil Plate		
16	24860419	1	Pin		
17	24810424	1	Lever		
21	24880311	1	Plug		
22	24880038	2	Plug		
23	24880423	1	Pad		
29	24860008P	1	Gauge		
31	24880409	1	Screw		
33	24850011	1	Plug,oil drain		
36	24860404	1	Oil Seal		
39	24860417	1	O-Ring		
44	24810530	2	Washer DIN 125-8 [NP]		
46	24810014	3	Washer GROWER DIN 127-8 [NP]		
49	24860418	1	Pin DIN 1481 3-20 [NP]		
51	24810047	8	Bolt DIN 933 M8-25 8.8 [NP]		
52	52103258	2	Bolt DIN 912 M8-25 8.8		
53	52101263	2	Bolt DIN 931 M8-50 8.8		
54	24860071	2	STUD		
57	24810515	2	Nut DIN 934 M8 8.8 [NP]		
59	51123008	1	Nut DIN 985 M8 5.6		



[NP] Not provided



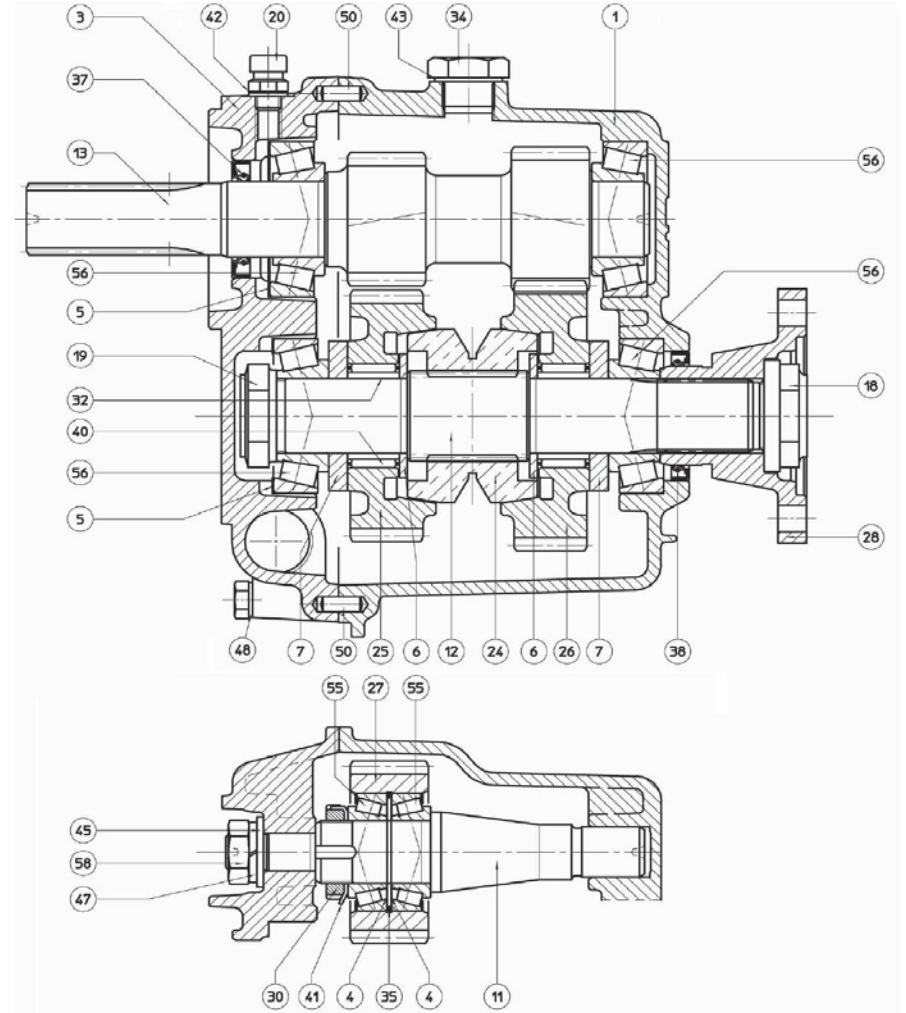
D_5036_2		Sheet 2/2				
FIG.	REF.	QTY	DESCR.	FROM	UPTO	
1	24880002P	1	Box			
3	24880001	1	Cover			
4	24880305	2	Spacer			
5	24813500.67	6	Spacer			
6	24880218	2	Shim			
7	24880217	2	Shim			
11	24880301	1	INTERMEDIATE Shaft			
12	24880201	1	Shaft Output			
13A	24882101P	1	Input Shaft			
13B	24883101P	1	Input Shaft			
13C	24884101	1	Input Shaft			
13D	24885101P	1	Input Shaft			
18	24850099	1	Nut			
19	24880222	1	Nut			
20	24810065	1	Plug			
24	24880202	1	Clutch			
25A	24882203	1	Gear			
25B	24882203	1	Gear			
25C	24884203	1	Gear			
25D	24884203	1	Gear			
26A	24882203	1	Gear			
26B	24883210	1	Gear			
26C	24884210	1	Gear			
26D	24885210	1	Gear			
27	24880302	1	Gear			
28	24880224	1	Flange Output			
30	24880310	1	Nut			
32	24880205	2	CAGE			
34	24830011	1	Plug			
35	24880309	1	Ring			
37	24880103A	1	Seal,oil BA 30-47-7 [NP]			
38	24890214	1	Oil Seal			
40	24880204	2	Bearing, needle			
41	24880308	1	Washer			
42	24810063	2	Plane Washer			



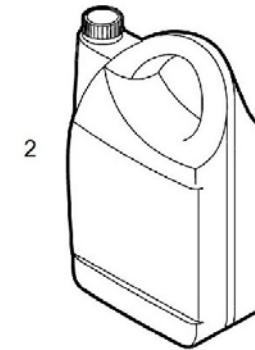
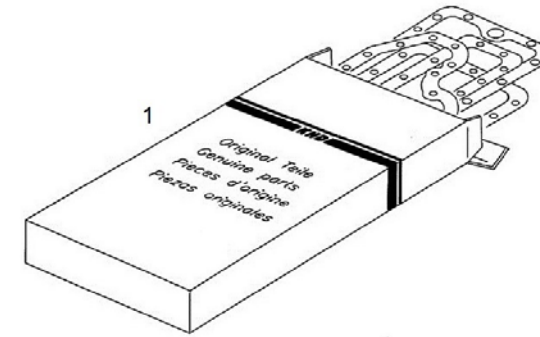
[NP] Not provided



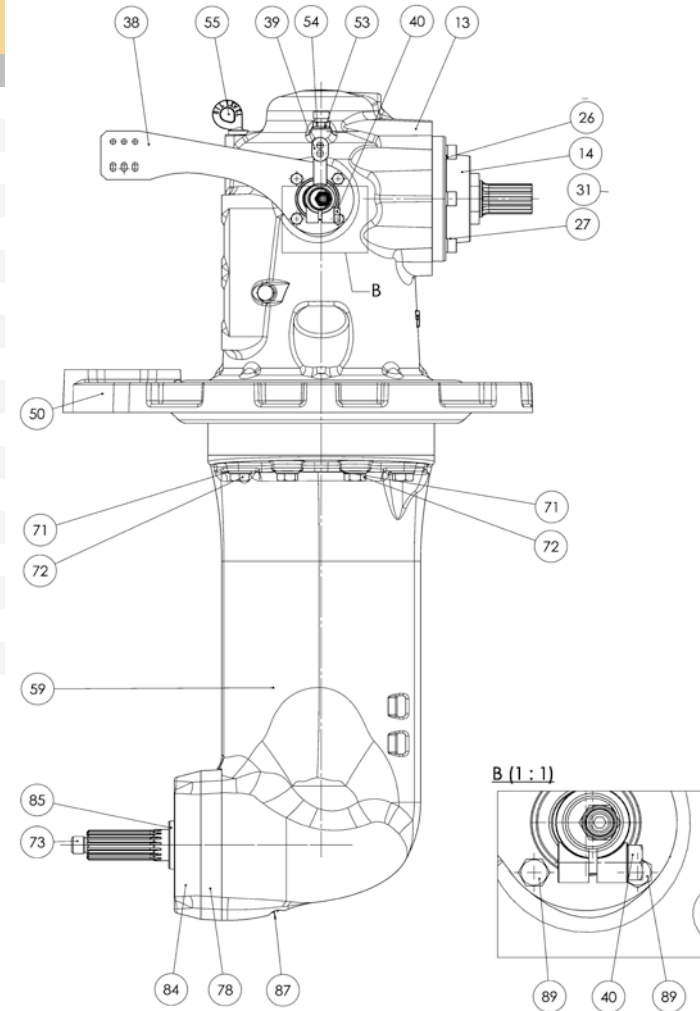
D_5036_2		Sheet 2/2				
FIG.	REF.	QTY	DESCR.	FROM	UPTO	
43	56000083	1	Washer 21-26-1,5			
45	24813500.97	1	Washer DIN 125-14 [NP]			
47	24810221	1	Washer GROWER DIN 127-14 [NP]			
48	24850093	10	Washer			
50	24860023	2	Pin			
55	24860206	2	Conical Roller Bearing 32005			
56	25710104	4	Conical Roller Bearing 32206-J2/Q			
58	24880307	1	Nut			



D_5035_3 Kit de Service						
FIG.	REF.	QTY	DESCR.	FROM	UPTO	
1	24883401	1	Gasket Kit			
2	A0201000	2	ATF Sole Diesel Oil 1L			



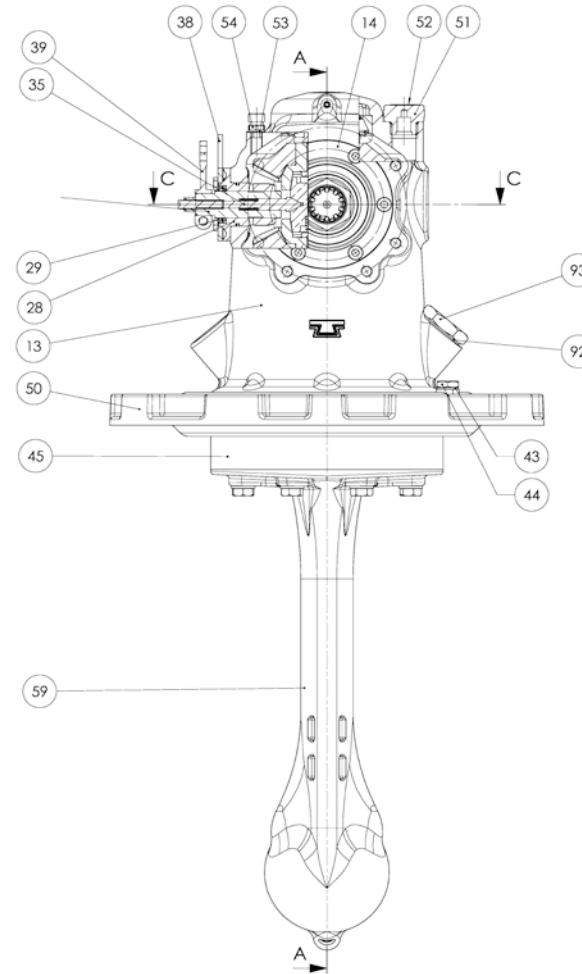
D_5037_1 Sheet 1/4 SP60 S.Drive V1						
FIG.	REF.	QTY	DESCR.	FROM	UPTO	
13	24813500.13	1	Body [NP]			
26	24813500.26	6	Washer			
27	24860047	6	Bolt DIN 912 M8-30 8.8 [NP]			
38	24813500.38	1	Bracket Control			
39	24810424	1	Lever			
40	24810047	1	Bolt DIN 933 M8-25 8.8 [NP]			
50	24813500.50	1	Flange CLOSING MEMBRANE			
53	24810063	2	Plane Washer			
54	24810065	1	Plug			
55	24813500.55	1	Gauge Oil LEVEL			
59	24813500.59	1	Body			
71	24813500.71	8	Washer [NP]			
72	24813500.72	8	Screw			
73	24813500.73	1	Propeller Shaft			
78	24813500.78	1	Body			
84	24813500.84	1	Anode SP60			
85	24813500.85	1	Spacer			
87	24813500.87	1	Plug,oil drain			
89	24813500.89	4	Bolt DIN 933 M6-10 8.8 [NP]			



[NP] Not provided



D_5037_2		Sheet 2/4 SP60 S.Drive V1			
FIG.	REF.	QTY	DESCR.	FROM	UPTO
14	24813500.14	1	Body		
28	24813500.28	1	Body Control		
29	24860404	1	Oil Seal		
31	24860402	1	Shaft		
35	24860423	1	PAD		
43	24810522	1	Washer		
44	24813500.44	1	Plug [NP]		
45	24813500.45	1	Cover		
51	24813500.51	1	Plug [NP]		
52	24860006	1	ATF Oil Plate		
92	24830035	1	Washer		
93	24813500.93	1	Plug		

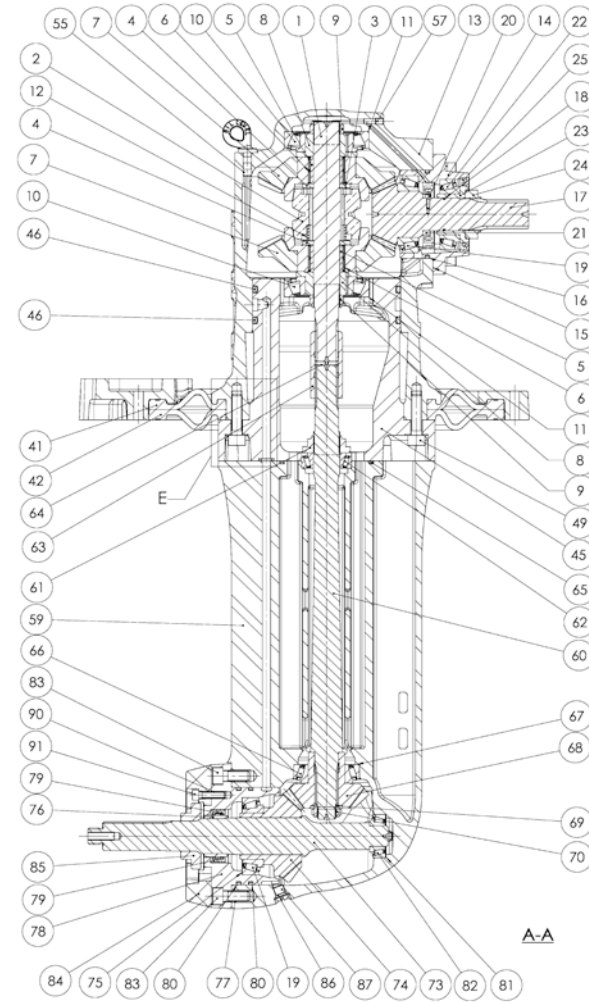


[NP] Not provided



D_5037_3 Sheet 3/4 SP60 S.Drive V1

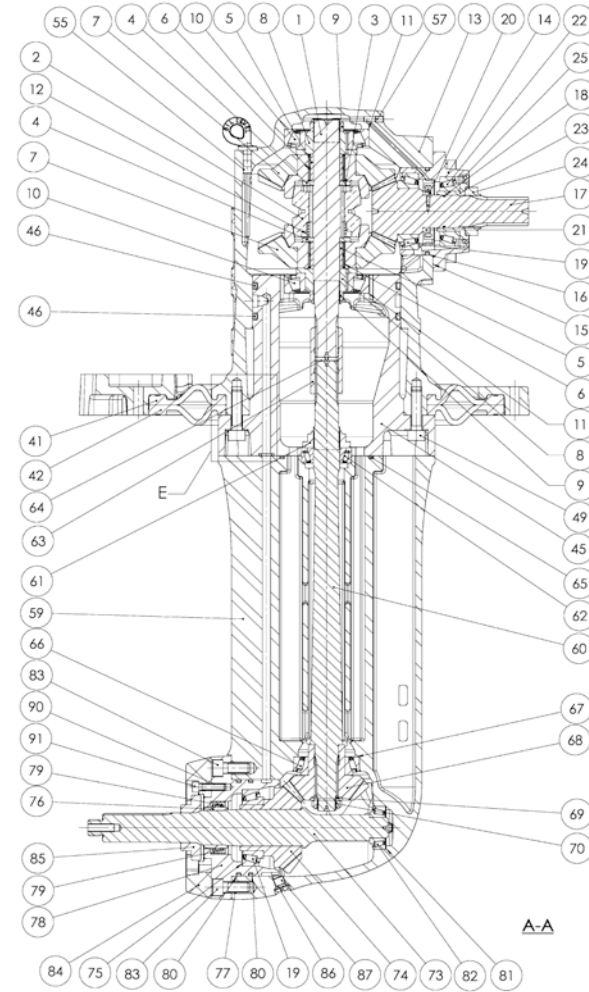
FIG.	REF.	QTY	DESCR.	FROM	UPTO
1	24813500.01	1	Shaft,Output [NP]		
2	24813500.02	1	Cone Clutch		
3	24813500.03	4	Spacer [NP]		
4	24860217	2	Spacer		
5	24813500.05	2	Ring,Bearing		
6	24813500.06	4	Bearing, needle		
7	24813500.07	2	Gear		
8	24813500.08	2	Cover		
9	24813500.09	2	Nut		
10	24813500.10	2	Bearing		
11	24810333	2	Spacer		
12	24813500.12	1	Spring		
17	24813500.17	1	Shaft		
20	24813500.20	1	Screw		
41	24813500.41	1	Gasket		
42	24813500.42	1	Gasket		
46	24813500.46	2	O-Ring		
57	24810506	1	Screw		
60	24813500.60	1	Shaft		
61	24813500.61	1	Ring		
62	24860206	1	Conical Roller Bearing 32005		
63	24813500.63	1	Guide [NP]		
64	24813500.64	1	CIRClip		
65	24813500.65	1	O-Ring		
66	24813500.66	1	Bearing		
67	24813500.67	2	Spacer		
68	24813500.68	1	Gear		
69	24813500.69	2	Washer [NP]		
70	24813500.70	1	Nut		
74	24813500.74	1	Gear		
75	24850108	2	Shim Adjusting		
76	24813500.76	1	Bushing		
77	24813500.77	2	HELICOil		
79	24813500.79	2	Oil Seal		
80	24813500.80	2	O-Ring D. 90X3,5		



[NP] Not provided

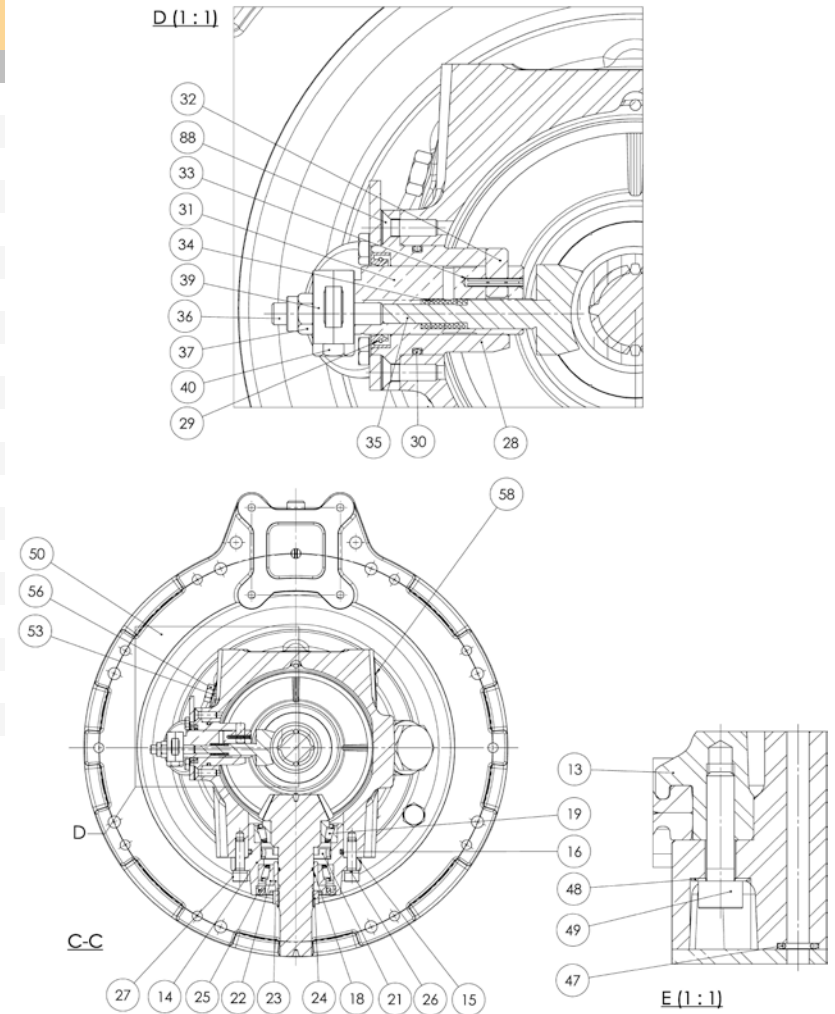


D_5037_3		Sheet 3/4 SP60 S.Drive V1			
FIG.	REF.	QTY	DESCR.	FROM	UPTO
81	24813500.81	3	Spacer		
82	24813500.82	1	Bearing		
83	24813500.83	2	Screw		
86	24813500.86	1	O-Ring D. 8X1,5		
90	24813500.90	3	HELICOil [NP]		
91	24813500.91	3	Screw		



D_5037_4 Sheet 4/4 SP60 S.Drive V1

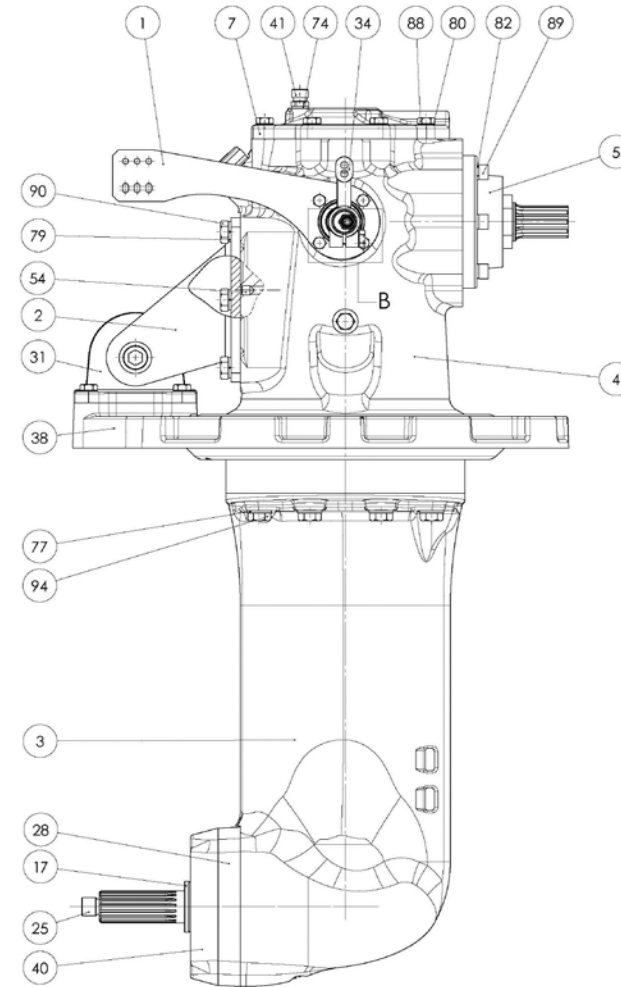
FIG.	REF.	QTY	DESCR.	FROM	UPTO
15	24813500.15	2	Spacer		
16	24813500.16	1	O-Ring		
18	24813500.18	1	O-Ring		
19	24850104	2	Conical Roller Bearing 32009-X		
21	24813500.21	1	Impeller		
22	24813500.22	1	Bearing		
23	24813500.23	1	Cover		
24	24813500.24	1	Nut		
25	24813500.25	1	Oil Seal		
30	24860417	1	O-Ring		
32	24860419	1	Pin		
33	24860418	1	Pin DIN 1481 3-20 [NP]		
34	24860411	1	Spring		
36	24860409	1	Screw		
37	24860408	1	Nut DIN 985 M8 5.6 [NP]		
47	24813500.47	1	O-Ring		
48	24813500.48	8	Washer [NP]		
49	24813500.49	8	Screw		
56	24850011	1	Plug,oil drain		
58	24850005	1	Plate, IDENTIFICATION		
88	24813500.88	4	Screw [NP]		



[NP] Not provided



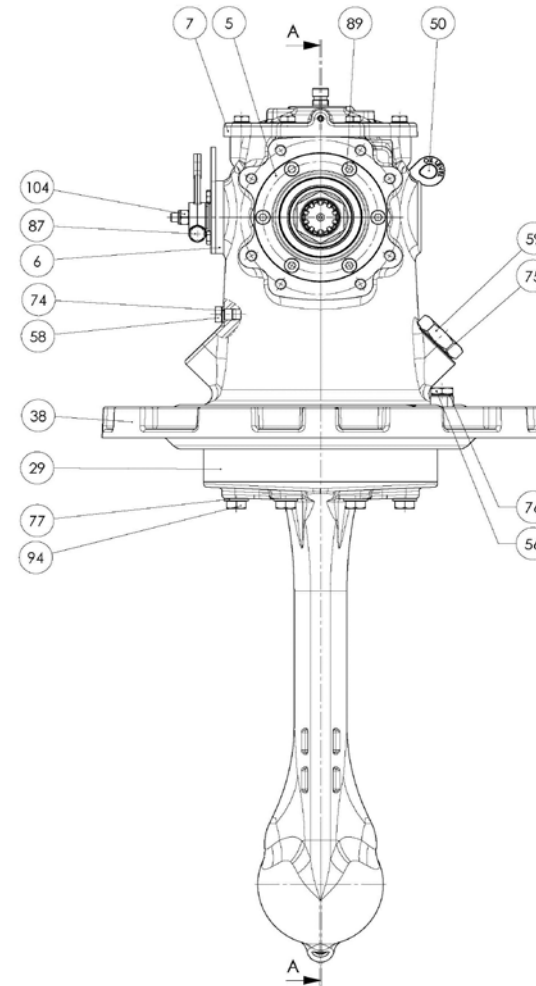
D_5037_6		Sheet 1/4 SP60 S.Drive V2			
FIG.	REF.	QTY	DESCR.	FROM	UPTO
1	24813500.38	1	Bracket Control	27/09/2016	
2	24813500.95	1	Bracket [NP]	27/09/2016	
3	24813500.59	1	Body	27/09/2016	
4	24813500.13.1	1	Body	27/09/2016	
5	24813500.14	1	Body	27/09/2016	
7	24813500.104.1	1	Body	27/09/2016	
17	24813500.94	1	Spacer	27/09/2016	
25	24813500.73	1	Propeller Shaft	27/09/2016	
28	24813500.78	1	Body	27/09/2016	
31	24813500.96	1	Flexible	27/09/2016	
34	24810424	1	Lever	27/09/2016	
38	24813500.50	1	Flange CLOSING MEMBRANE	27/09/2016	
40	24813500.116	1	Zinc Anode	27/09/2016	
41	24810065	1	Plug	27/09/2016	
54	24813500.123	1	Screw	27/09/2016	
74	24810063	2	Plane Washer	27/09/2016	
77	24813500.126	8	Washer	27/09/2016	
79	24820075	6	Washer GROWER DIN 127-10 [NP]	27/09/2016	
80	24850093	12	Washer	27/09/2016	
82	24813500.26	6	Washer	27/09/2016	
88	24830106	12	Bolt DIN 933 M8-30 8.8 [NP]	27/09/2016	
89	24860047	6	Bolt DIN 912 M8-30 8.8 [NP]	27/09/2016	
90	24820076	6	Bolt DIN 933 M10-30 8.8 [NP]	27/09/2016	



[NP] Not provided



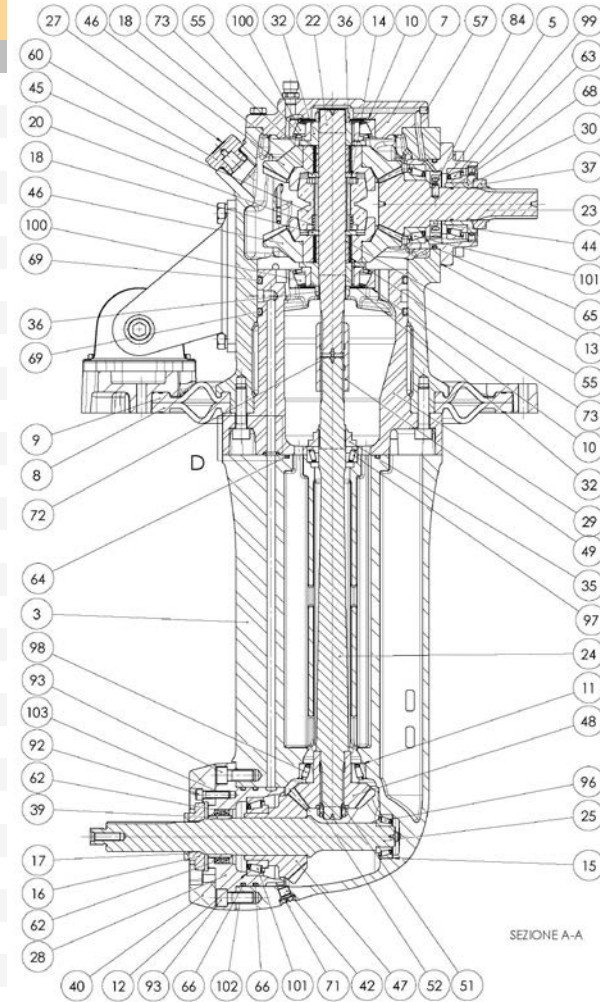
D_5037_7		Sheet 2/4 SP60 S.Drive V2			
FIG.	REF.	QTY	DESCR.	FROM	UPTO
6	24813500.28	1	Body Control	27/09/2016	
104	24813500.131	1	Nut	27/09/2016	
29	24813500.45	1	Cover	27/09/2016	
50	24813500.121	1	Gauge Oil Level	27/09/2016	
56	24813500.124	1	Plug	27/09/2016	
58	24850011	1	Plug,oil drain	27/09/2016	
59	24813500.93	1	Plug	27/09/2016	
75	24830035	1	Washer	27/09/2016	
76	24810522	1	Washer	27/09/2016	
87	24810047	1	Bolt DIN 933 M8-25 8.8 [NP]	27/09/2016	
94	24813500.72	8	Screw	27/09/2016	



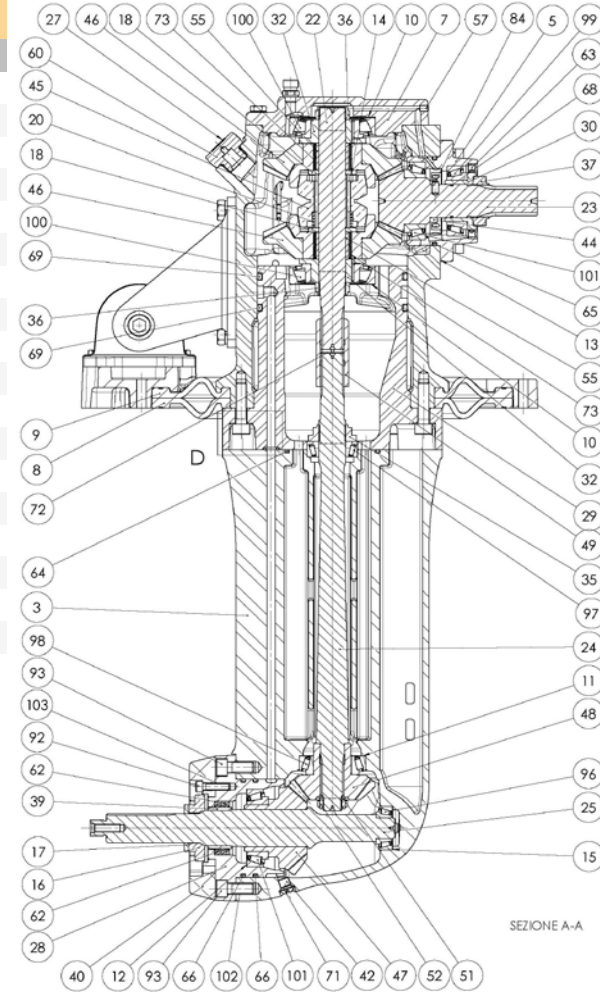
[NP] Not provided



D_5037_8		Sheet 3/4 SP60 S.Drive V2			
FIG.	REF.	QTY	DESCR.	FROM	UPTO
8	24813500.42	1	Gasket	27/09/2016	
9	24813500.41	1	Gasket	27/09/2016	
10	24810333	6	Spacer	27/09/2016	
100	24813500.10	2	Bearing	27/09/2016	
101	24850104	2	Conical Roller Bearing 32009-X	27/09/2016	
102	24813500.77	2	HELICOil	27/09/2016	
103	24813500.130	3	Helicoil	27/09/2016	
11	24813500.67	2	Spacer	27/09/2016	
12	24850108	2	Shim Adjusting	27/09/2016	
13	24813500.15	2	Spacer	27/09/2016	
14	24813500.113	2	Spacer	27/09/2016	
15	24813500.81	3	Spacer	27/09/2016	
16	24813500.85	1	Spacer	27/09/2016	
18	24860217	2	Spacer	27/09/2016	
20	24813500.12	1	Spring	27/09/2016	
22	24813500.114	1	Shaft, Output	27/09/2016	
23	24813500.17	1	Shaft	27/09/2016	
24	24813500.60	1	Shaft	27/09/2016	
27	24860006	1	ATF Oil Plate	27/09/2016	
30	24813500.23	1	Cover	27/09/2016	
32	24813500.115	2	Bearing Support	27/09/2016	
35	24813500.61	1	Ring	27/09/2016	
36	24813500.09	2	Nut	27/09/2016	
37	24813500.24	1	Nut	27/09/2016	
39	24813500.76	1	Bushing	27/09/2016	
42	24813500.87	1	Plug,oil drain	27/09/2016	
44	24813500.21	1	Impeller	27/09/2016	
45	24813500.02	1	Cone Clutch	27/09/2016	
46	24813500.117	2	Gear	27/09/2016	
47	24813500.118	1	Gear	27/09/2016	
48	24813500.119	1	Pinion	27/09/2016	
49	24813500.120	1	Shaft Coupling	27/09/2016	
51	24813500.122	2	Washer	27/09/2016	
52	24813500.70	1	Nut	27/09/2016	
55	24813500.05	2	Ring,Bearing	27/09/2016	

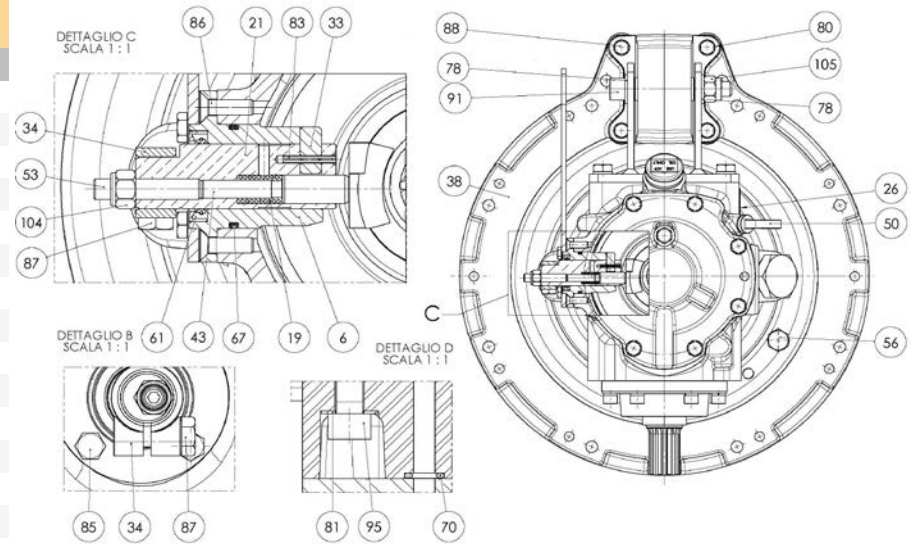


D_5037_8		Sheet 3/4 SP60 S.Drive V2			
FIG.	REF.	QTY	DESCR.	FROM	UPTO
57	24810326	1	Plug	27/09/2016	
60	24813500.125	1	Plug	27/09/2016	
62	24813500.79	2	Oil Seal	27/09/2016	
63	24813500.25	1	Oil Seal	27/09/2016	
64	24813500.65	1	O-Ring	27/09/2016	
65	24813500.16	1	O-Ring	27/09/2016	
66	24813500.80	2	O-Ring D. 90X3,5	27/09/2016	
68	24813500.18	1	O-Ring	27/09/2016	
69	24813500.46	2	O-Ring	27/09/2016	
71	24813500.86.1	1	O-Ring	27/09/2016	
72	24813500.64	1	CIRClip	27/09/2016	
73	24813500.06	4	Bearing, needle	27/09/2016	
84	24813500.128	1	Pin	27/09/2016	
92	24813500.91	3	Screw	27/09/2016	
93	24813500.83	2	Screw	27/09/2016	
96	24813500.82	1	Bearing	27/09/2016	
97	24860206	1	Conical Roller Bearing 32005	27/09/2016	
98	24813500.66	1	Bearing	27/09/2016	
99	24813500.22	1	Bearing	27/09/2016	





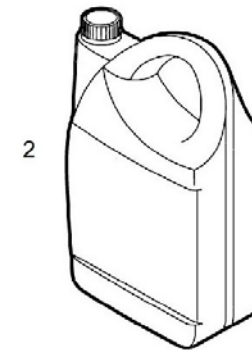
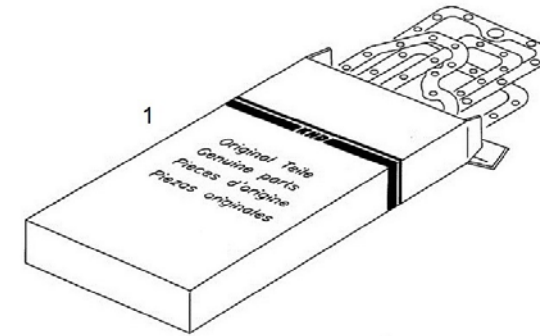
D_5037_9		Sheet 4/4 SP60 S.Drive V2			
FIG.	REF.	QTY	DESCR.	FROM	UPTO
105	24813500.99	1	Nut [NP]	27/09/2016	
19	24860411	1	Spring	27/09/2016	
21	24860402	1	Shaft	27/09/2016	
26	24850005	1	Plate, IDENTIFICATION	27/09/2016	
33	24860419	1	Pin	27/09/2016	
43	24860423	1	PAD	27/09/2016	
53	24860409	1	Screw	27/09/2016	
61	24860404	1	Oil Seal	27/09/2016	
67	24860417	1	O-Ring	27/09/2016	
70	24813500.47	1	O-Ring	27/09/2016	
78	24813500.97	2	Washer DIN 125-14 [NP]	27/09/2016	
81	24813500.127	8	Washer	27/09/2016	
83	24860418	1	Pin DIN 1481 3-20 [NP]	27/09/2016	
85	24813500.89	4	Bolt DIN 933 M6-10 8.8 [NP]	27/09/2016	
86	24813500.129	4	Screw	27/09/2016	
91	24813500.98	1	Bolt	27/09/2016	
95	24813500.49	8	Screw	27/09/2016	



[NP] Not provided



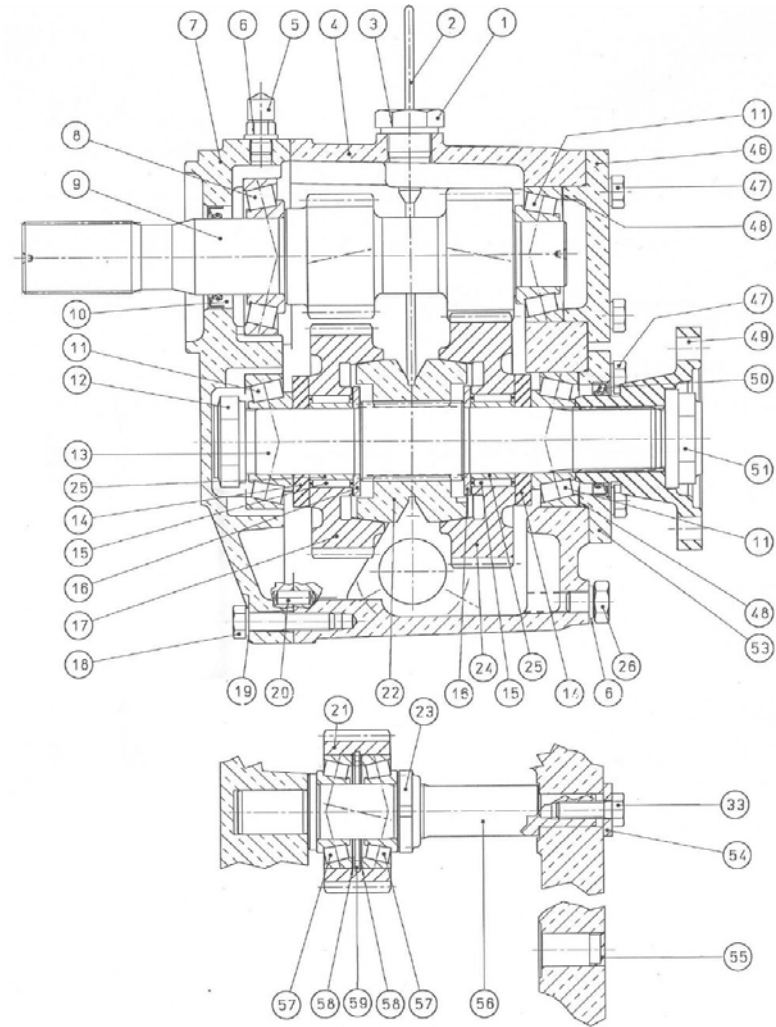
D_5037_5		Maintenance Kit			
FIG.	REF.	QTY	DESCR.	FROM	UPTO
1	24813401	1	Kit Gasket		
2	A0201000	3	ATF Sole Diesel Oil 1L		
NS	24813500.84	1	Anode SP60 [NS]		



[NS] Not shown



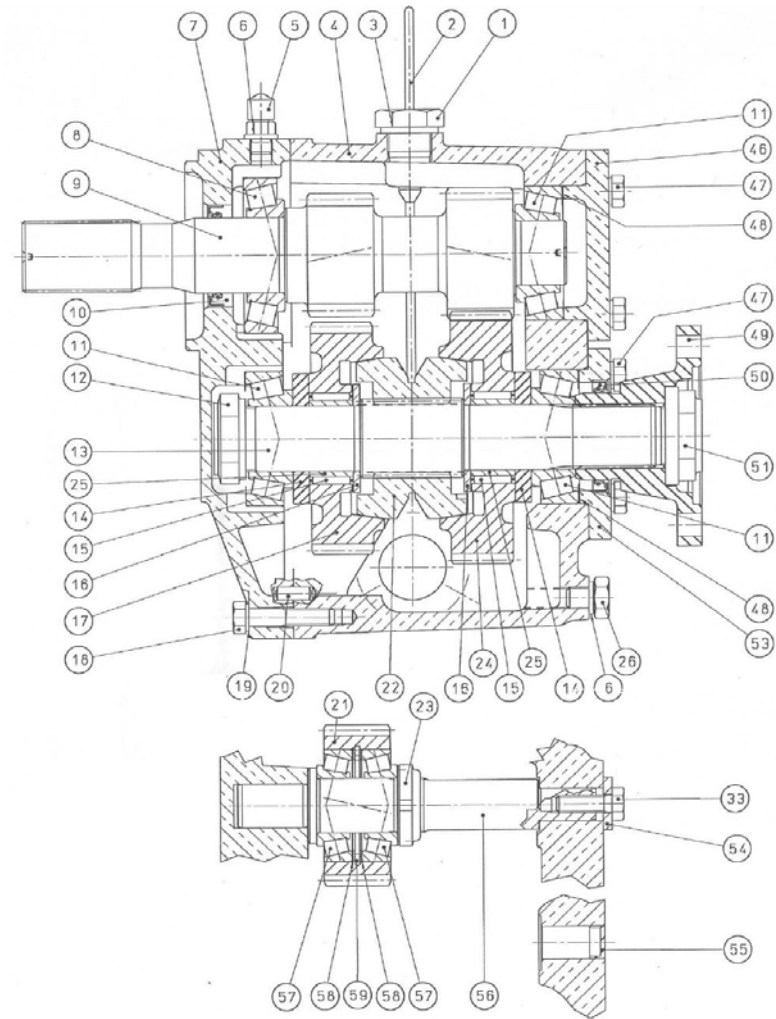
D_5032_1		Sheet 1/3			
FIG.	REF.	QTY	DESCR.	FROM	UPTO
1	24830011	1	Plug		
2	24890008	1	Gauge Oil Level		
3	56000083	1	Washer 21-26-1,5		
4	24890001	1	Cover		
5	24810065	1	Plug		
6	24810063	2	Plane Washer		
7	24890102	1	Cover		
8	24850212	1	Conical Roller Bearing 30207A		
9A	24895101	1	Input Shaft		
9B	24894101	1	Input Shaft		
9C	24893101	1	Input Shaft		
9D	24892101	1	Input Shaft		
10	24810103	1	Oil Grommet		
11	25710104	3	Conical Roller Bearing 32206-J2/Q		
12	24880222	1	Nut		
13	24880201	1	Shaft Output		
14	24880217	2	Shim		
15	24880204	2	Bearing, needle		
16	24880218	2	Shim		
17A	24894203	1	Gear		
17B	24892203	1	Gear		
18	52101261	9	Bolt DIN 931 M8-40 8.8		
19	24850093	17	Washer		
20	24860023	2	Pin		
21	24890302	1	Gear		
22	24890202	1	Clutch		
23	24890307	1	Nut		
24A	24894203	1	Gear		
24B	24895210	1	Gear		
24C	24894210	1	Gear		
24D	24893210	1	Gear		
25	24880205	2	CAGE		
26	24850011	1	Plug,oil drain		
33	52102258	1	Bolt DIN 933 M8-25 8.8		
46	24890205	1	Cover		



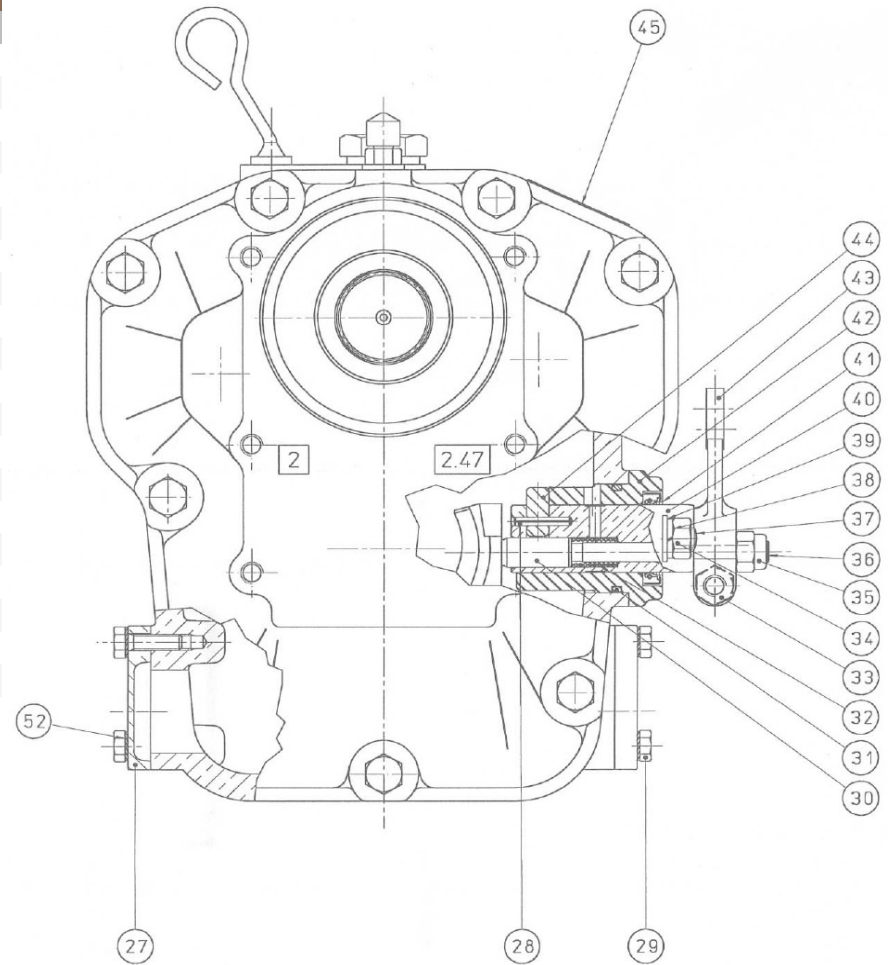
[NP] Not provided



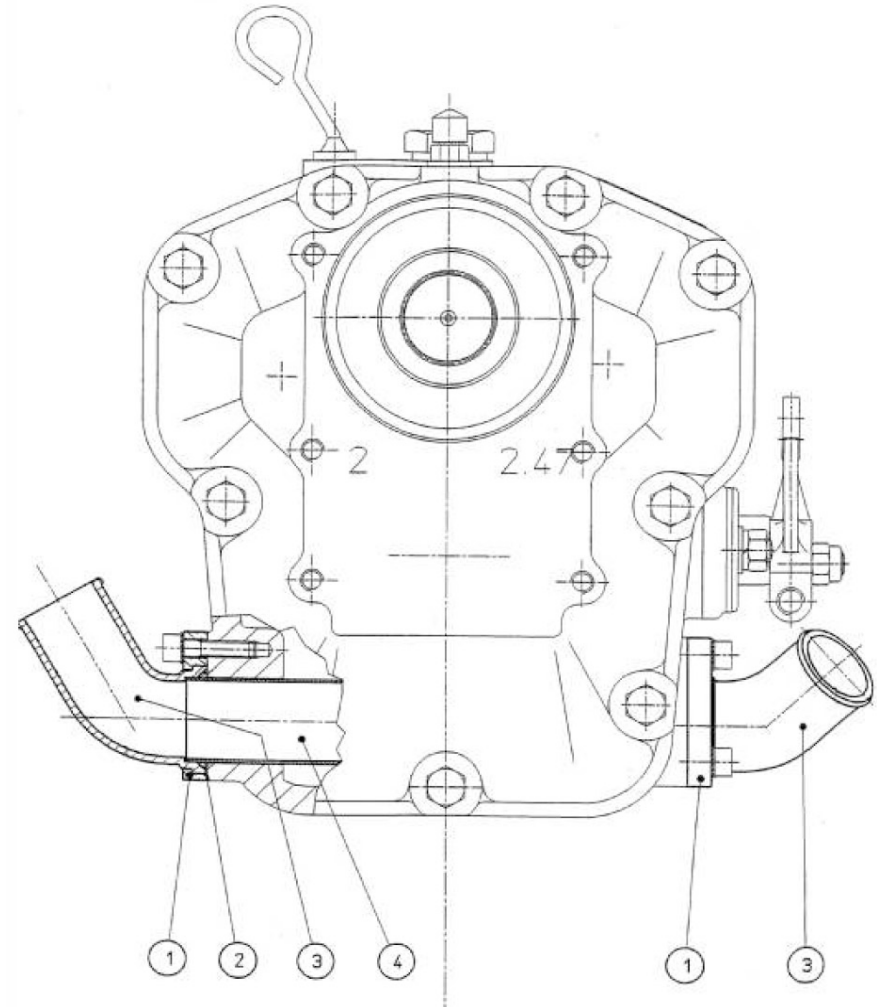
D_5032_1		Sheet 1/3			
FIG.	REF.	QTY	DESCR.	FROM	UPTO
47	52102259	8	Bolt DIN 933 M8-30 8.8		
48	24813500.67	6	Spacer		
49	24880224	1	Flange Output		
50	24890214	1	Oil Seal		
51	24850099	1	Nut		
53	24890208	1	Cover		
54	24890306	1	Washer		
55	24890305	1	Plug		
56	24890301	1	INTERMEDIATE Shaft		
57	24860207	2	Conical Roller Bearing 30205A		
58	24890304	2	Washer [NP]		
59	53041052	1	CIRClip DIN 472 I-52		



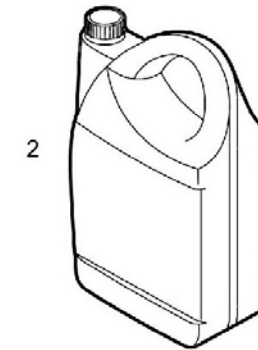
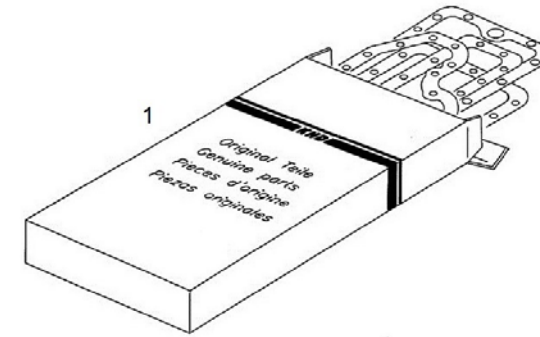
D_5032_2		Sheet 2/3				
FIG.	REF.	QTY	DESCR.	FROM	UPTO	
27	24890026	2	Cover			
28	53052210	1	Pin DIN 1481 3-20			
29	52102257	6	Bolt DIN 933 M8-20 8.8			
30	24880423	1	Pad			
31	24860417	1	O-Ring			
32	24860411	1	Spring			
33	52102258	1	Bolt DIN 933 M8-25 8.8			
34	52120008	2	Nut DIN 934 M8 8.8			
35	51123008	1	Nut DIN 985 M8 5.6			
36	52111260	1	ROD DIN 913 M8-35 8.8			
37	24860071	2	STUD			
38	53033008	2	Washer GROWER DIN 127-8			
39	51030008	2	Washer DIN 125-8			
40	24880402	1	Shaft			
41	24860404	1	Oil Seal			
42	24880401	1	Cover			
43	24810424	1	Lever			
44	24860419	1	Pin			
45	24850005	1	Plate, IDENTIFICATION			
52	53038006	6	Washer DIN 6798-A 6			



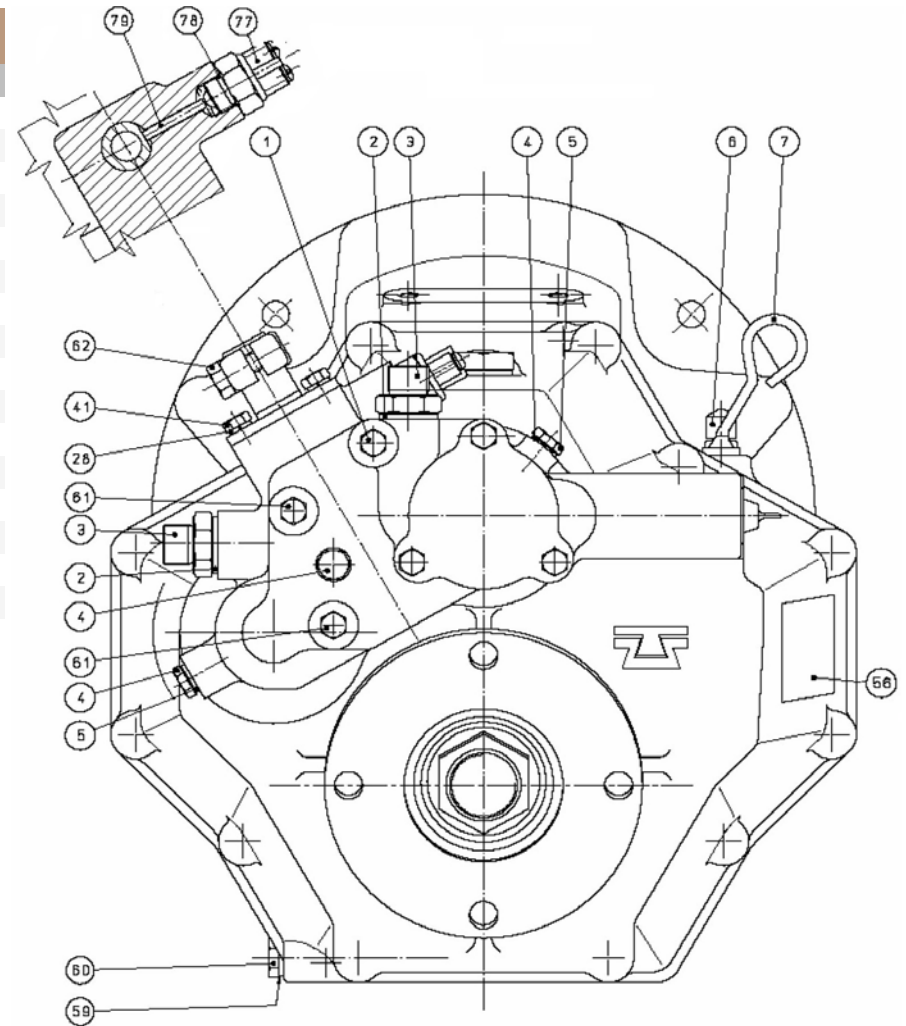
D_5032_3		Cooling System 3/3				
FIG.	REF.	QTY	DESCR.	FROM	UPTO	
1	24890051	2	Cover			
2	24890052	2	O-Ring D. 32X2,5			
3	24890053	2	Elbow			
4	24890054	1	Cooler Pipe			



D_5032_4 Maintenance Kit						
FIG.	REF.	QTY	DESCR.	FROM	UPTO	
1	24890401	1	Kit Gasket			
2	A0201000	2	ATF Sole Diesel Oil 1L			



D_5023_1		Sheet 1/4				
FIG.	REF.	QTY	DESCR.	FROM	UPTO	
1	24850091	1	Screw			
2	24850092	3	Washer			
3	24850090	2	Washer			
4	24820068	3	Plug M8X1			
5	24820086	3	Washer 8-13-1,5 [NP]			
6	24810065	1	Plug			
7	24850008	1	Gauge Oil LEVEL			
26	24850028	11	Screw			
41	24810044	5	Bolt DIN 933 M6-16 8.8 [NP]			
56	24850005	1	Plate, IDENTIFICATION			
59	24810063	1	Plane Washer			
60	24850011	1	Plug,oil drain			
61	24850040	2	Bolt DIN 933 M6-25 8.8 [NP]			
62	24810047	1	Bolt DIN 933 M8-25 8.8 [NP]			
77	24810532	1	SWITCHER			
78	24810533	1	O-Ring D. 14X1,7			
79	24850527	1	Pin			

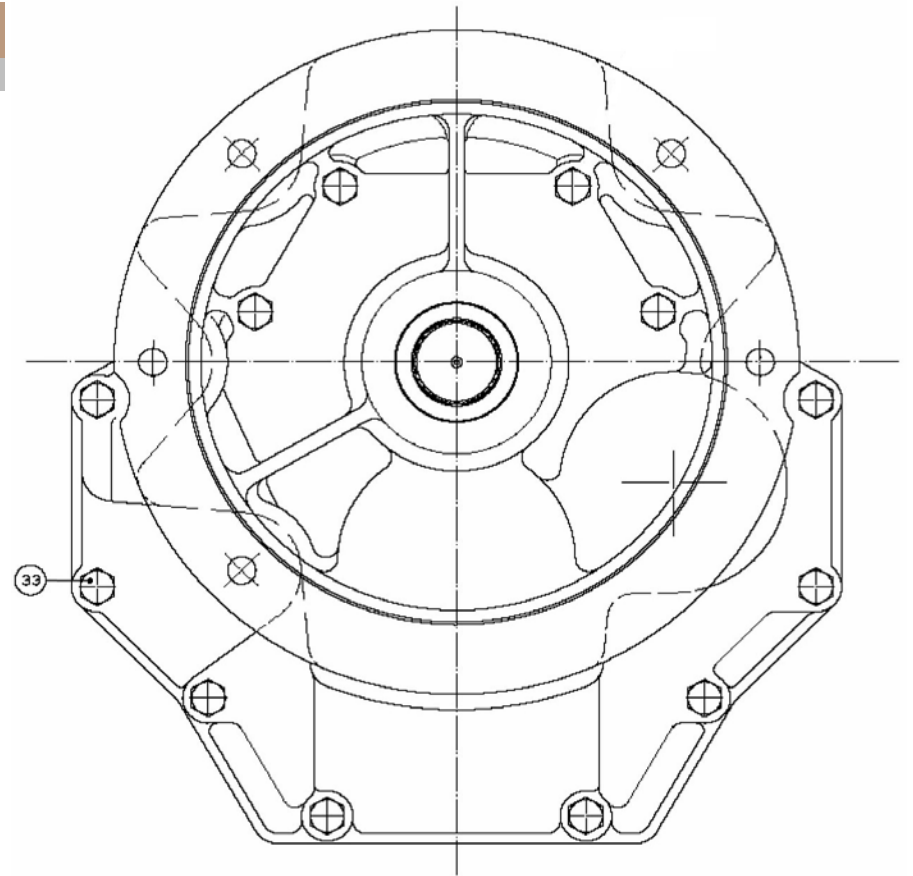


[NP] Not provided



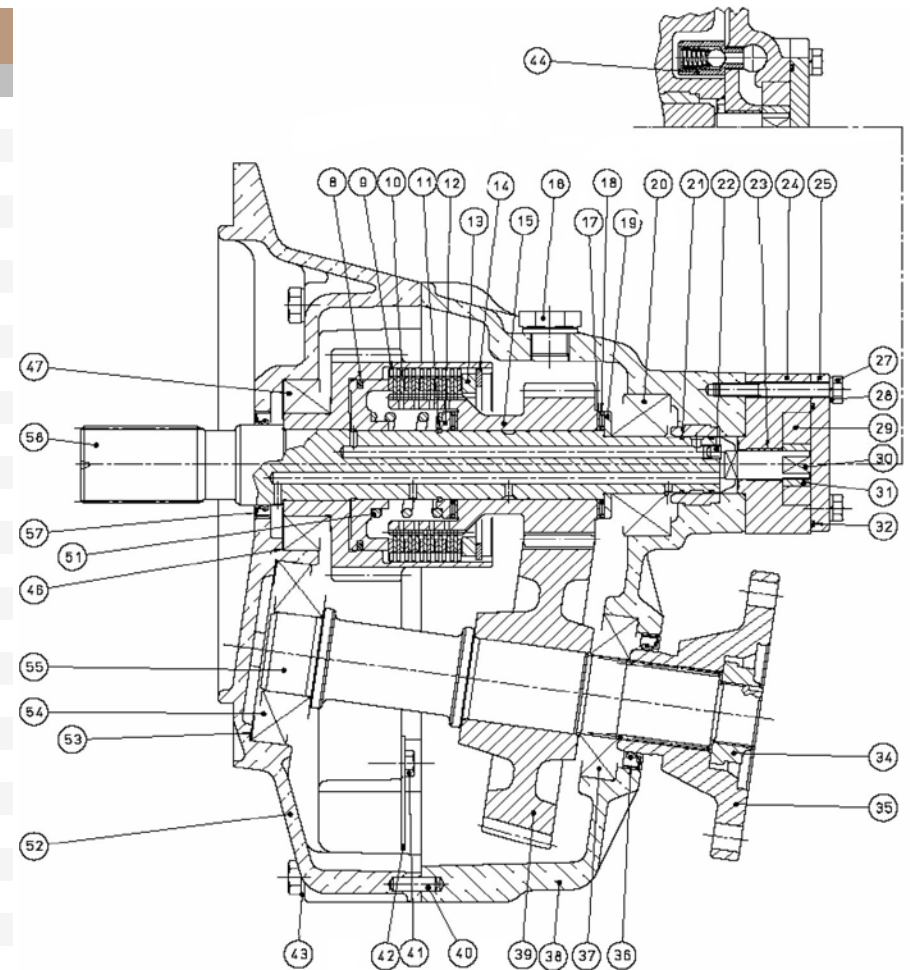


D_5023_2		Sheet 2/4			
FIG.	REF.	QTY	DESCR.	FROM	UPTO
33	24830113	1	Screw		





D_5023_3		Sheet 3/4				
FIG.	REF.	QTY	DESCR.	FROM	UPTO	
8	24850323	2	Washer			
9-10	24850403	2	Clutch Plate Kit			
11	24850310	2	Ring			
12	24850307	2	Ring			
13	24850333	2	Spacer			
14	24850312	2	SEGER			
15A	24852203	1	Gear R. 1,54 TM 345			
15B	24853203	1	Gear R. 2 TM 345			
15C	24854203	1	Gear R. 2,47 TM 345			
16	24850012	1	Plug			
17	24850318	4	Ring			
18	24850306	4	Bearing, needle			
19	24850325	2	Washer			
20	24850308	2	Conical Roller Bearing 32305			
21	24850328	4	Washer			
22	24810326	2	Plug			
23	24850016	1	Bushing			
24	24850020	1	PUMB Box			
25	24850015	1	Pump Cover			
27	24850029	3	Screw			
28	24810042	9	Washer GROWER DIN 127-6 [NP]			
29	24850095	1	Gear, Pump Out			
30	24850094	1	Pump Shaft			
31	24850096	1	Gear, Pump INNER			
32	24850097	1	O-Ring D. 50X1,7			
34	24850099	1	Nut			
35	24850224A	1	Flange, Output TM-345A			
36	24840103	1	Grommet			
37	24850212	1	Conical Roller Bearing 30207A			
38	24850001A	1	Front Body TM-345A			
39A	24852210	1	Gear R. 1,54 TM 345			
39B	24853210	1	Gear R. 2 TM 345			
39C	24854210	1	Gear R. 2,47 TM 345			
40	24850013	2	Pin			
42	24850080	1	Plate Pipe			

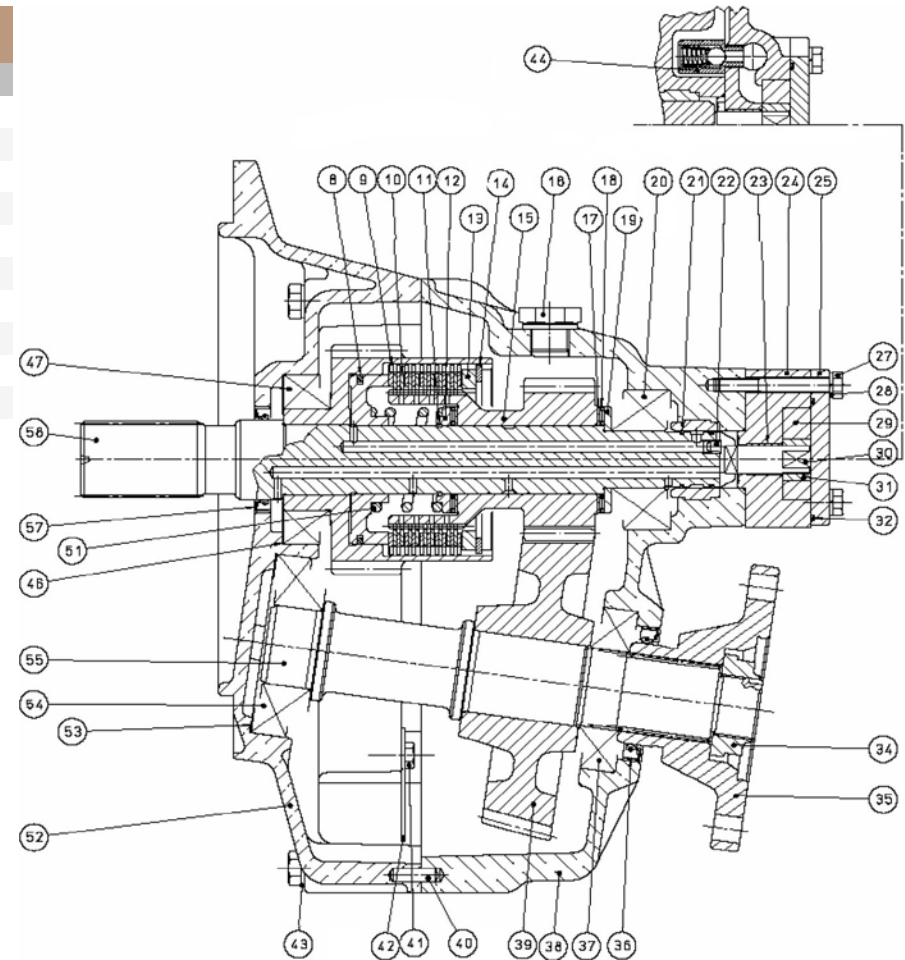


[NP] Not provided

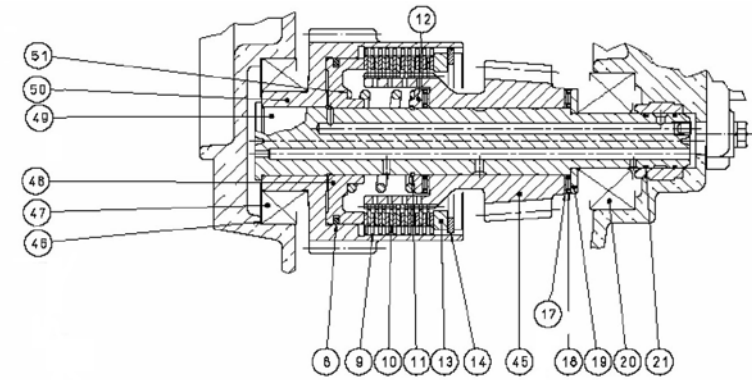




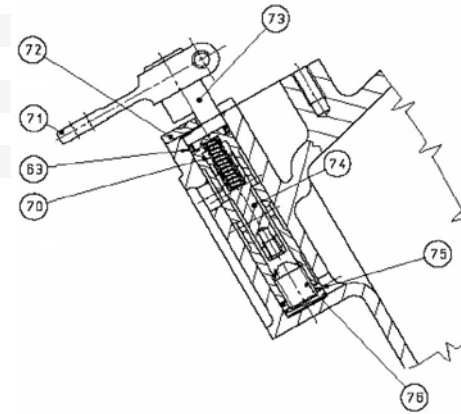
D_5023_3		Sheet 3/4				
FIG.	REF.	QTY	DESCR.	FROM	UPTO	
43	24850093	12	Washer			
44	24850063	1	By pass Valve			
46	24850108	6	Shim Adjusting			
47	24850104	2	Conical Roller Bearing 32009-X			
51	24850122	2	Spring			
52	24850207A	1	Cover TM-345A			
53	24810333	3	Spacer			
54	24850206	1	Conical Roller Bearing 31307A			
55	24850201	1	Output Shaft			
57	24810103S	1	Grommet, Oil SILICON			
58	24850101	1	Input Shaft			



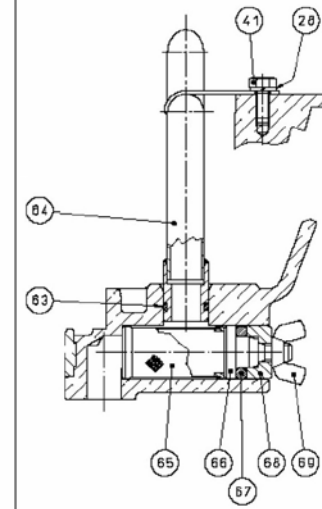
D_5023_4		Sheet 4/4				
FIG.	REF.	QTY	DESCR.	FROM	UPTO	
45A	24852203	1	Gear R. 1,54 TM 345			
45B	24853203	1	Gear R. 2 TM 345			
45C	24854203	1	Gear R. 2,47 TM 345			
48	24850124	2	Piston			
49	24850301	1	INTERMEDIATE Shaft			
50	24850330	1	Bell			
63	24810056	2	O-Ring D. 15,08X2,62 [NP]			
64	24850081	1	Aspiration Tube			
65	24810035	1	Oil Filter			
66	24850085	1	Pin			
67	24850059	1	O-Ring D. 50X5,3			
68	24850076	1	Spacer			
69	24850057	1	Nut			
70	24850030	1	Spring			
71	24810424	1	Lever			
72	24810041	1	Support			
73	24850062	1	Selector Valve			
74	24850052	1	Valve			
75	24850078	1	Spring			
76	24850079	1	Screw			



INTERMEDIATE SHAFT ASSEMBLY



SELECTOR VALVE ASSEMBLY



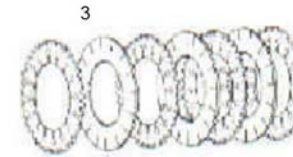
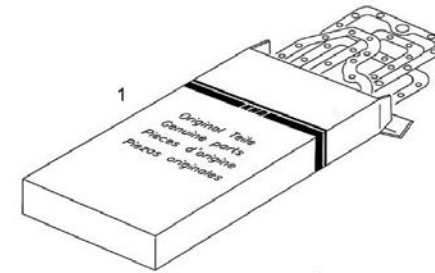
OIL FILTER ASSEMBLY

[NP] Not provided

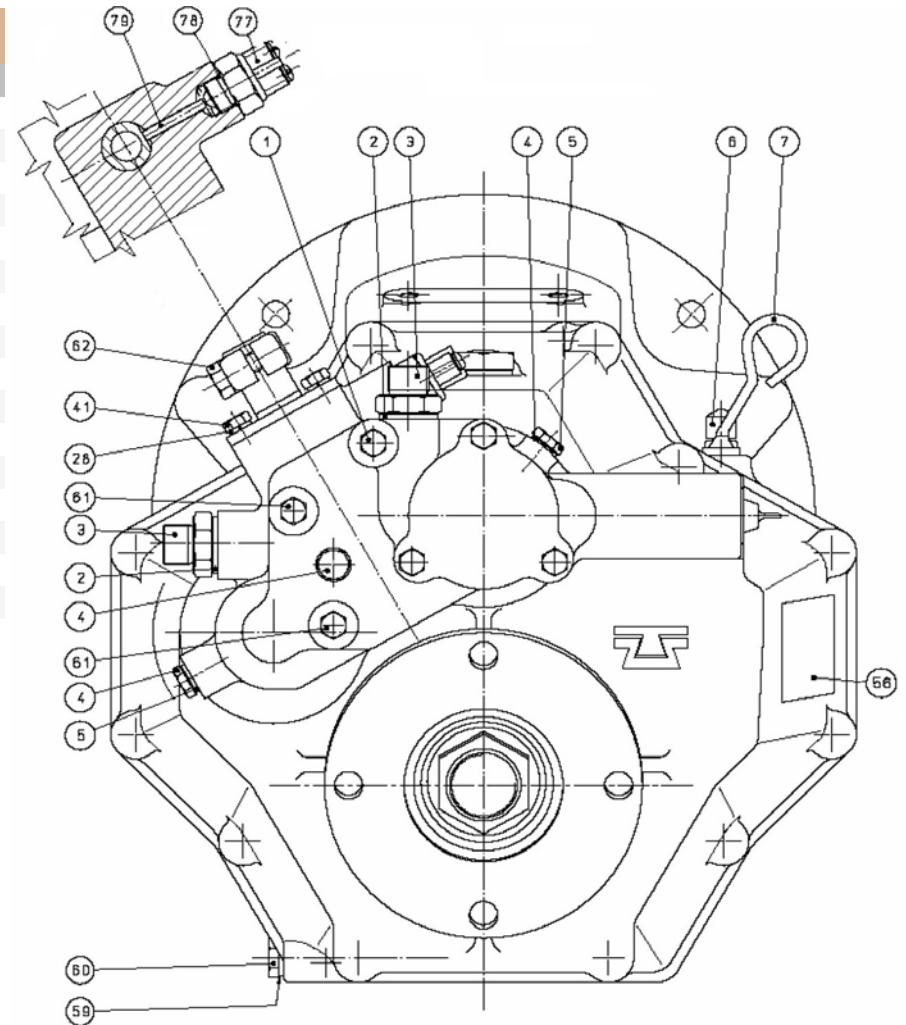




D_5023_5		Maintenance Kit			
FIG.	REF.	QTY	DESCR.	FROM	UPTO
1	24850401	1	Kit Gasket		
2	A0105000	1	15W40 Sole Diesel Oil 5L		
3	24850403	2	Clutch Plate Kit		



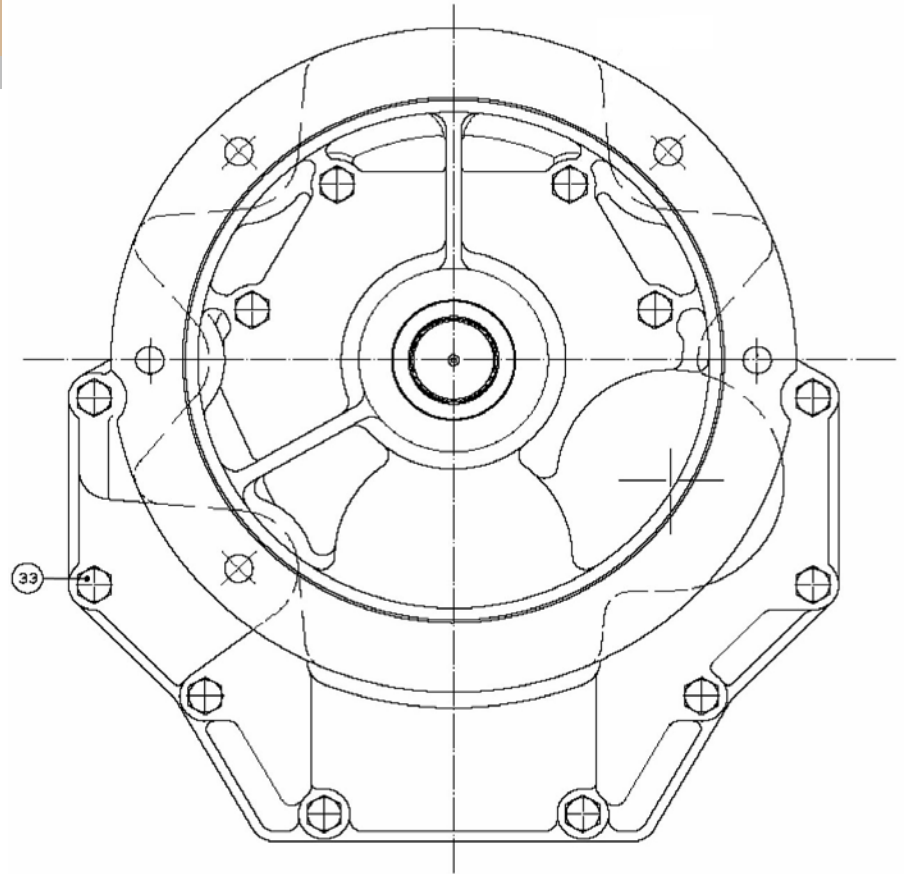
D_5024_1		Sheet 1/4				
FIG.	REF.	QTY	DESCR.	FROM	UPTO	
1	24850091	1	Screw			
2	24850092	3	Washer			
3	24850090	2	Washer			
4	24820068	3	Plug M8X1			
5	24820086	3	Washer 8-13-1,5 [NP]			
6	24810065	1	Plug			
7	24850008	1	Gauge Oil LEVEL			
26	24850028	11	Screw			
41	24810044	5	Bolt DIN 933 M6-16 8.8 [NP]			
56	24850005	1	Plate, IDENTIFICATION			
59	24810063	1	Plane Washer			
60	24850011	1	Plug,oil drain			
61	24850040	2	Bolt DIN 933 M6-25 8.8 [NP]			
62	24810047	1	Bolt DIN 933 M8-25 8.8 [NP]			
77	24810532	1	SWITCHER			
78	24810533	1	O-Ring D. 14X1,7			
79	24850527	1	Pin			



[NP] Not provided

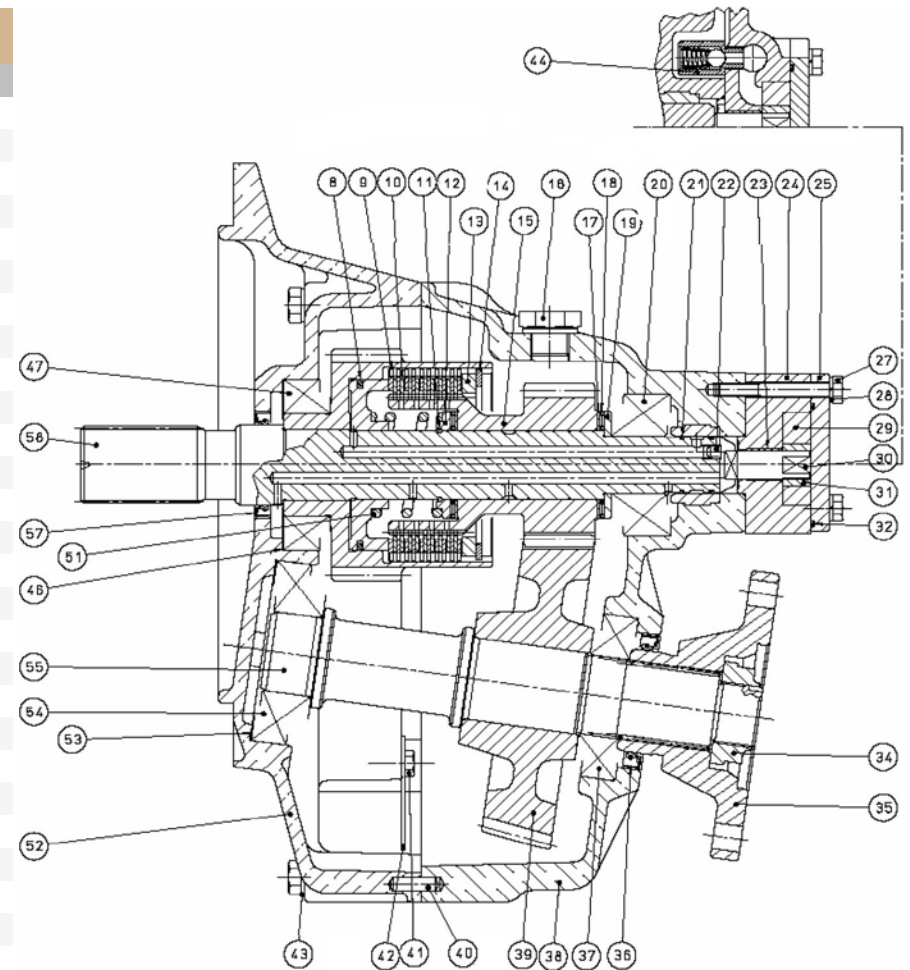


D_5024_2		Sheet 2/4			
FIG.	REF.	QTY	DESCR.	FROM	UPTO
33	24830113	1	Screw		





D_5024_3		Sheet 3/4				
FIG.	REF.	QTY	DESCR.	FROM	UPTO	
8	24850323	2	Washer			
11	24850310	2	Ring			
12	24850307	2	Ring			
13	24850333	2	Spacer			
14	24850312	2	SEGER			
15A	24852203A	1	Gear R. 1,54 TM 345A			
15B	24853203A	1	Gear Red. 2 TM 345A			
15C	24854203A	1	Gear R. 2,47 TM 345A			
16	24850012	1	Plug			
17	24850318	4	Ring			
18	24850306	4	Bearing, needle			
19	24850325	2	Washer			
20	24850308	2	Conical Roller Bearing 32305			
21	24850328	4	Washer			
22	24810326	2	Plug			
23	24850016	1	Bushing			
24	24850020	1	PUMB Box			
25	24850015	1	Pump Cover			
27	24850029	3	Screw			
28	24810042	9	Washer GROWER DIN 127-6 [NP]			
29	24850095	1	Gear, Pump Out			
30	24850094	1	Pump Shaft			
31	24850096	1	Gear, Pump INNER			
32	24850097	1	O-Ring D. 50X1,7			
34	24850099	1	Nut			
35	24850224A	1	Flange, Output TM-345A			
36	24840103	1	Grommet			
37	24850212	1	Conical Roller Bearing 30207A			
38	24850001A	1	Front Body TM-345A			
39A	24852210A	1	Gear R. 1,54 TM 345A			
39B	24853210A	1	Gear R. 2 TM 345A			
39C	24854210A	1	Gear R. 2,47 TM 345A			
40	24850013	2	Pin			
42	24850080	1	Plate Pipe			
43	24850093	12	Washer			

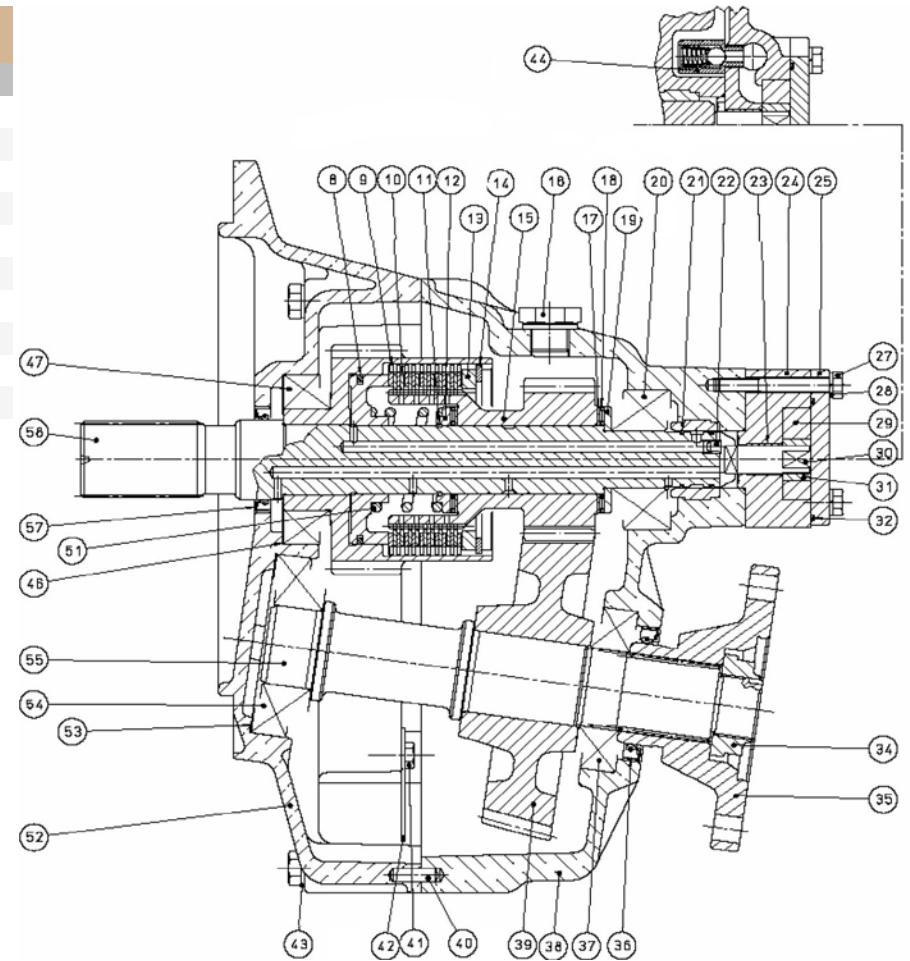


[NP] Not provided

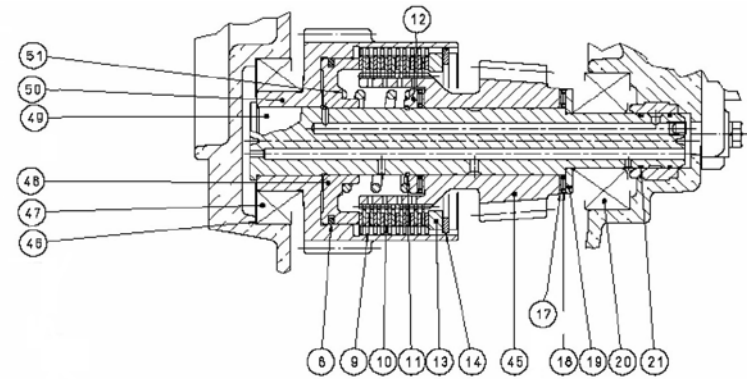




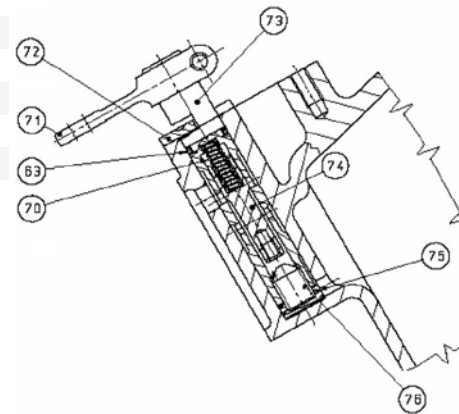
D_5024_3		Sheet 3/4				
FIG.	REF.	QTY	DESCR.	FROM	UPTO	
44	24850063	1	By pass Valve			
46	24850108	6	Shim Adjusting			
47	24850104	2	Conical Roller Bearing 32009-X			
51	24850122	2	Spring			
52	24850207A	1	Cover TM-345A			
53	24810333	3	Spacer			
54	24850206	1	Conical Roller Bearing 31307A			
55	24850201	1	Output Shaft			
57	24810103S	1	Grommet, Oil SILICON			
58	24850101	1	Input Shaft			



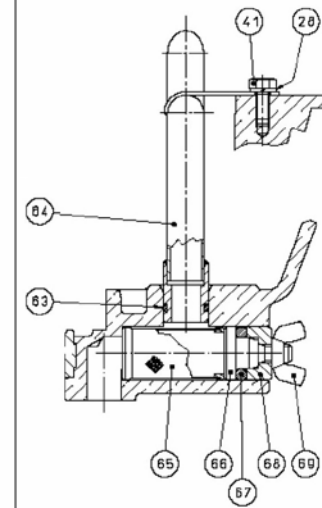
D_5024_4		Sheet 4/4				
FIG.	REF.	QTY	DESCR.	FROM	UPTO	
45A	24852302	1	Gear R. 1,54 TM 345A			
45B	24853302	1	Gear R. 2 TM 345A			
45C	24854302	1	Gear R. 2,47 TM 345A			
48	24850124	2	Piston			
49	24850301	1	INTERMEDIATE Shaft			
50	24850330	1	Bell			
63	24810056	2	O-Ring D. 15,08X2,62 [NP]			
64	24850081	1	Aspiration Tube			
65	24810035	1	Oil Filter			
66	24850085	1	Pin			
67	24850059	1	O-Ring D. 50X5,3			
68	24850076	1	Spacer			
69	24850057	1	Nut			
70	24850030	1	Spring			
71	24810424	1	Lever			
72	24810041	1	Support			
73	24850062	1	Selector Valve			
74	24850052	1	Valve			
75	24850078	1	Spring			
76	24850079	1	Screw			



INTERMEDIATE SHAFT ASSEMBLY



SELECTOR VALVE ASSEMBLY

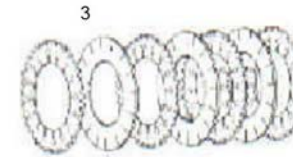
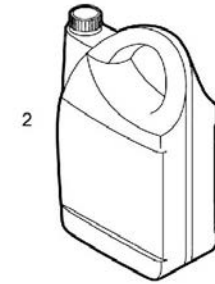
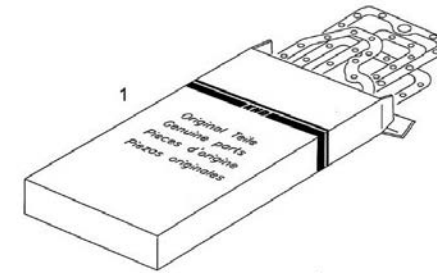


OIL FILTER ASSEMBLY

[NP] Not provided

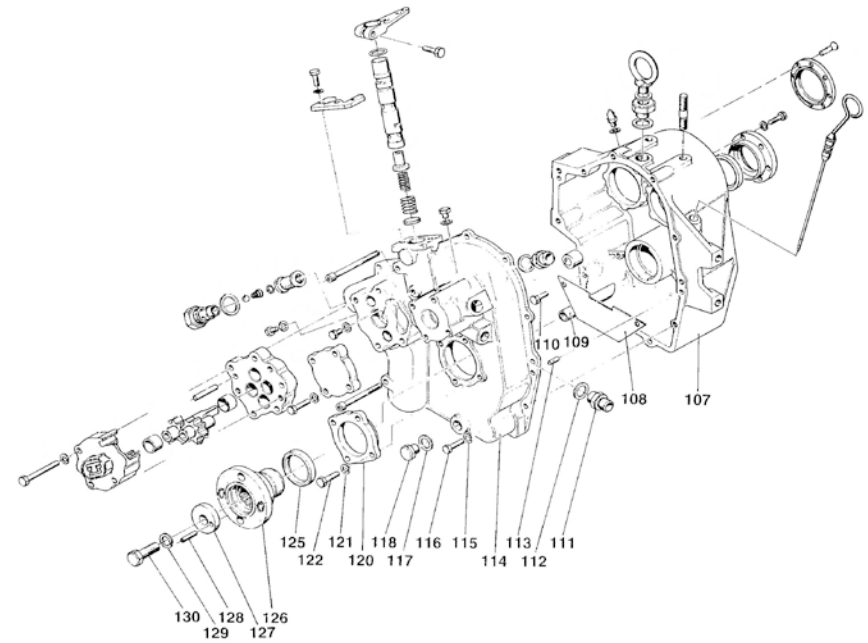


D_5023_5		Maintenance Kit			
FIG.	REF.	QTY	DESCR.	FROM	UPTO
1	24850401	1	Kit Gasket		
2	A0105000	1	15W40 Sole Diesel Oil 5L		
3	24850403	2	Clutch Plate Kit		





D_5030_1.1		Sheet 1.1/4				
FIG.	REF.	QTY	DESCR.	FROM	UPTO	
100	24810103S	1	Grommet, Oil SILICON			
106	24830008	1	ROD, LEVEL Oil			
107	24810001	1	Front Body TM 93			
108	24810080	1	Plate Pipe [NP]			
109	24810081	1	ASPIRATION Tube [NP]			
110	24810082	2	Bolt DIN 933 M8-10 8.8 [NP]			
113	24810085	2	Pin			
114	24810002	1	Reverse Body TM 93			
117	24810088	1	Washer 14-20-1,5 [NP]			
118	24810011	1	Plug,oil drain			
119	24810089	1	Screw			
120	24810090	1	Cover			
125	24810214	1	Oil Grommet			
126	24810224	1	Flange, Output			
127	24810219	1	BUTT Washer			
128	24840220	1	Pin			
129	24810221	1	Washer GROWER DIN 127-14 [NP]			
130	24810222	1	Bolt DIN 933 M14X40 12.9			
131	24810095	1	Gear, ConductOR			
132	24810096	1	Gear, Conduct			
134	24810098	3	Screw			
NS	24810043	1	Pump Assy Oil [NS]			



[NP] Not provided
 [NS] Not shown



D_5030_1.2		Sheet 1.2/4				
FIG.	REF.	QTY	DESCR.	FROM	UPTO	
119	24810089	1	Screw			
123	53033008	4	Washer GROWER DIN 127-8			
124	52102258	4	Bolt DIN 933 M8-25 8.8			
131	24810095	1	Gear, ConductOR			
132	24810096	1	Gear, Conduct			
58	24810013	4	Bolt DIN 931 M8-65 8.8 [NP]			
59	24810014	4	Washer GROWER DIN 127-8 [NP]			
61	24810025	2	Bushing			
63	24820023.1	2	Pin			
64	24810024	1	Plug, Oil Filter DRAIN			
67	24810027	1	Washer			
68	24810028	1	Screw			
69	18024143	1	Ball,steel 1/2"			
70	24810030	1	Valve Spring			
71	24810032	1	SNAP Ring			
72	24810035	1	Oil Filter			
73	24810036	2	Washer			
74	24810038	1	Cover			
76	24810040	1	Screw			

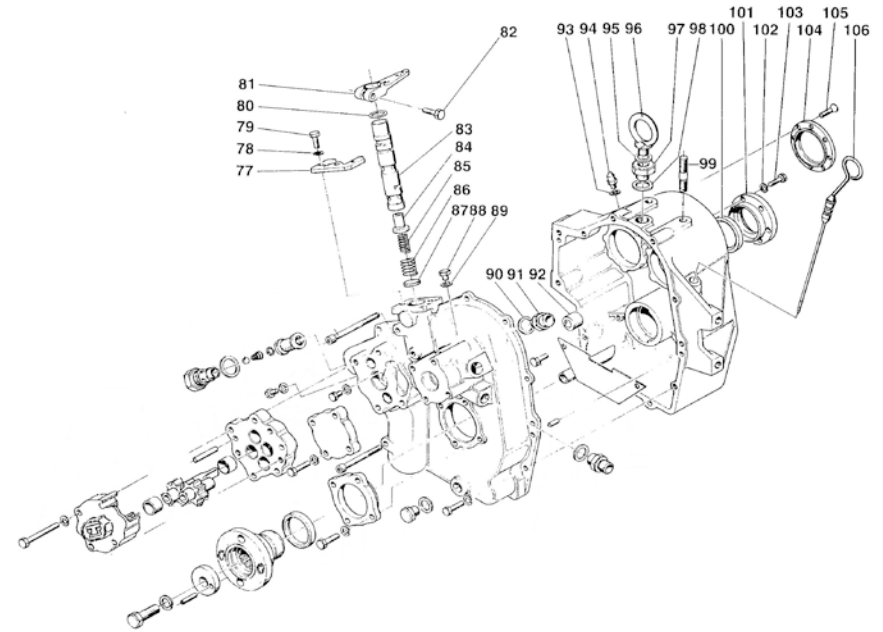


[NP] Not provided





D_5030_1.3		Sheet 1.3/4				
FIG.	REF.	QTY	DESCR.	FROM	UPTO	
100	24810103S	1	Grommet, Oil SILICON			
101	24810072	1	Cover			
102	53033008	6	Washer GROWER DIN 127-8			
103	52102258	6	Bolt DIN 933 M8-25 8.8			
104	24810075	1	Cover			
105	24810076	8	Screw			
106	24830008	1	ROD, LEVEL Oil			
77	24810041	1	Support			
78	24810042	2	Washer GROWER DIN 127-6 [NP]			
79	24810044	2	Bolt DIN 933 M6-16 8.8 [NP]			
80	24810056	1	O-Ring D. 15,08X2,62 [NP]			
81	24810424	1	Lever			
82	24810047	1	Bolt DIN 933 M8-25 8.8 [NP]			
83	24810051	1	Distributor			
84	24810052	1	Valve			
85	24810053	1	Spring, Valve INNER			
86	24810054	1	Spring, Valve			
87	24810055	1	Expansion Plug			
88	24810028	1	Screw			
89	24810036	1	Washer			
90	24810059	1	Plane Washer			
91	24810060	1	Racord			
92	24810062	1	Valve BY PASS [NP]			
93	24810063	2	Plane Washer			
94	24810065	1	Plug			
96	24810012	1	Nut			
97	24810068	1	Plug			
98	56000083	1	Washer 21-26-1,5			
99	24810071	2	Stud			

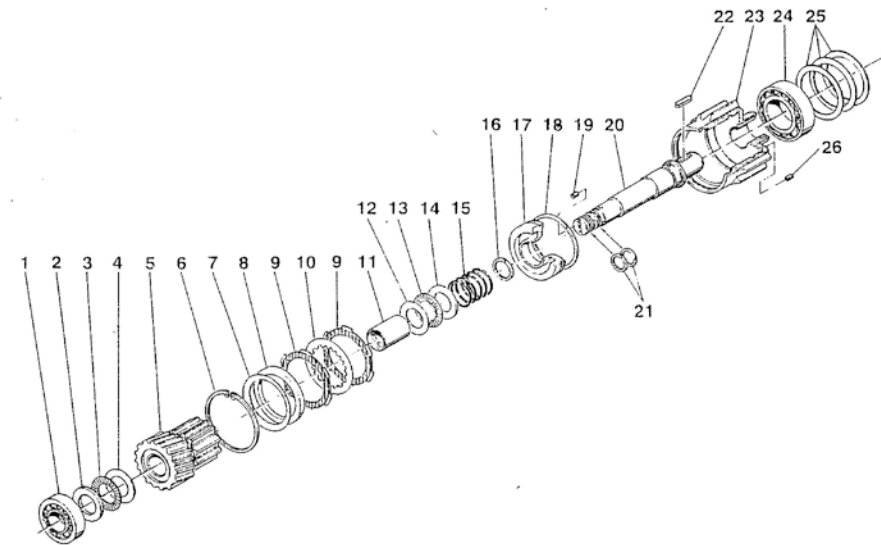


[NP] Not provided





D_5030_2		Intermediate Shaft 2/4			
FIG.	REF.	QTY	DESCR.	FROM	UPTO
1	24870207	1	Bearing		
2	24810307	1	Washer		
3	24810309	1	Roller		
4	24810310	1	Ring		
5A	24812302	1	Gear R. 1,5 TM 93		
5B	24813302	1	Gear R. 2 TM 93		
5C	24814302	1	Gear R. 2,4 TM 93		
5D	24815302	1	Gear R. 2,8 TM 93		
6	24810312	1	SNAP Ring		
7	24810313	1	Ring		
8	24810314	1	Grommet		
9	24810315	10	Disk		
10	24810316	9	Disk		
11	24810317	1	BushING		
12	24870118	1	THRUST RACE		
13	24810309	1	Roller		
14	24870318	1	THRUST RACE		
15	24810322	1	Spring		
16	24810323	1	Washer		
17	24810324	1	Piston		
18	24810325	1	Washer		
19	24810326	1	Plug		
20	24810301	1	INTERMEDIATE Shaft		
21	24810328	2	Washer		
22	24810329	1	KEY		
23	24810330	1	Bell		
24	24870206	1	Bearing		
25	24810333	0	Spacer [VAR]		
26	24810334	1	Plug		

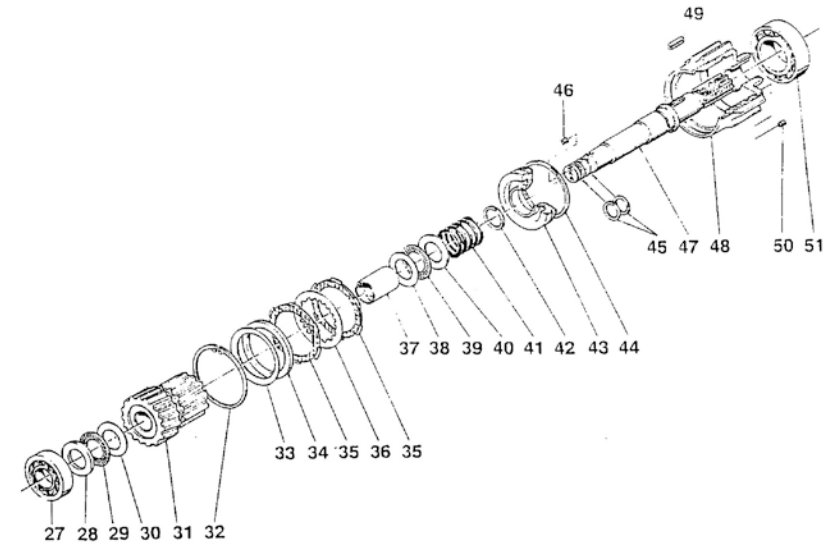


[VAR] Variable according to repair





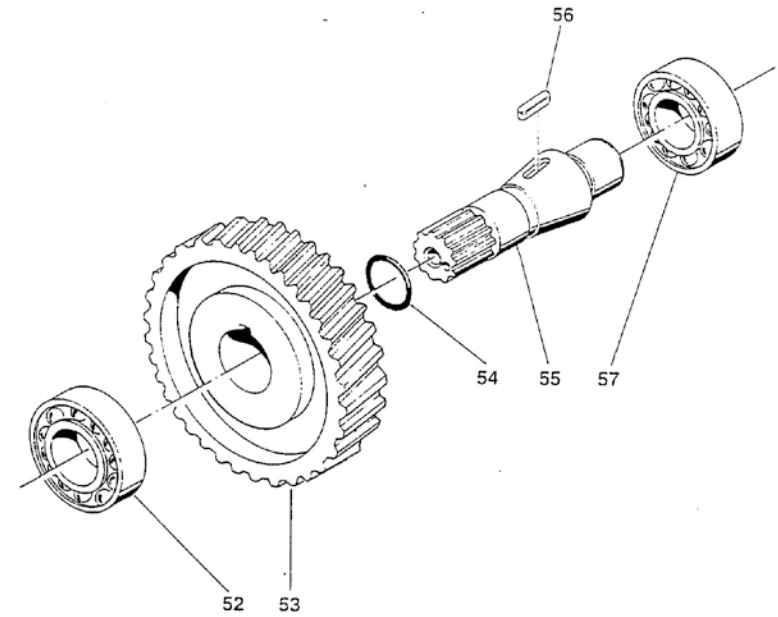
D_5030_3 Input Shaft 3/4						
FIG.	REF.	QTY	DESCR.	FROM	UPTO	
27	24870207	1	Bearing			
28	24810307	1	Washer			
29	24810309	1	Roller			
30	(*)	1	Not available [NP]			
31A	24812302	1	Gear R. 1,5 TM 93			
31B	24813302	1	Gear R. 2 TM 93			
31C	24814302	1	Gear R. 2,4 TM 93			
31D	24815302	1	Gear R. 2,8 TM 93			
32	24810312	1	SNAP Ring			
33	24810313	1	Ring			
34	24810314	1	Grommet			
35	24810315	10	Disk			
36	24810316	9	Disk			
37	24810317	1	BushING			
38	24870118	1	THRUST RACE			
39	24810309	1	Roller			
40	24870318	1	THRUST RACE			
41	24810322	1	Spring			
42	24810323	1	Washer			
43	24810324	1	Piston			
44	24810325	1	Washer			
45	24810328	2	Washer			
46	24810326	1	Plug			
47	24810101	1	Input Shaft			
48	24810330	1	Bell			
49	24810329	1	KEY			
50	24810334	1	Plug			
51	24870206	1	Bearing			



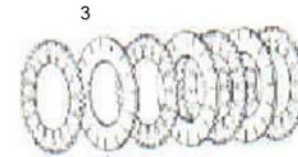
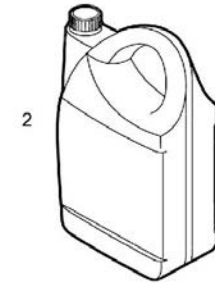
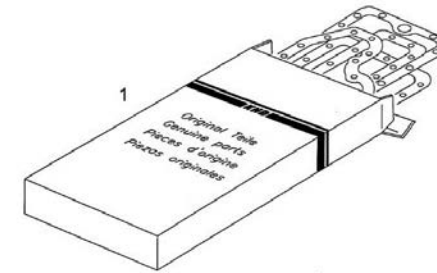
[NP] Not provided



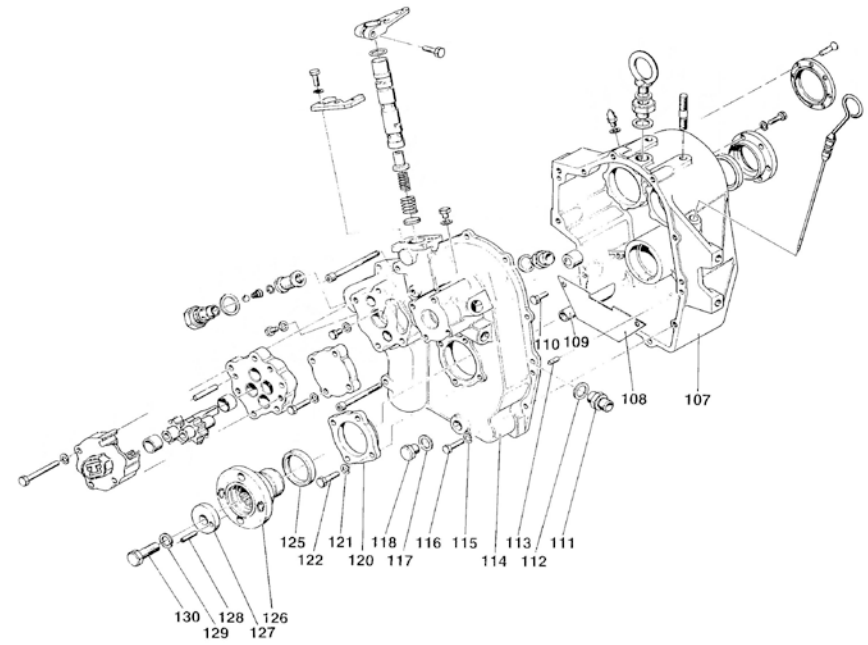
D_5030_4 Output Shaft 4/4						
FIG.	REF.	QTY	DESCR.	FROM	UPTO	
52	24810206	1	Conical Roller Bearing 32208			
53/55	24815201C	1	Gear+Output Shaft Kit			
53/55	24813201C	1	Gear+Output Shaft Kit			
53/55	24812201C	1	Gear+Output Shaft Kit			
53/55	24814201C	1	Gear+Output Shaft Kit			
54	24810209	1	O-Ring D. 38X3,5			
57	24810212	1	Bearing			



D_5030_5 Maintenance Kit						
FIG.	REF.	QTY	DESCR.	FROM	UPTO	
1	24810401	1	Kit Gasket			
2	A0105000	1	15W40 Sole Diesel Oil 5L			
3	24810403	2	Clutch Plate Kit			



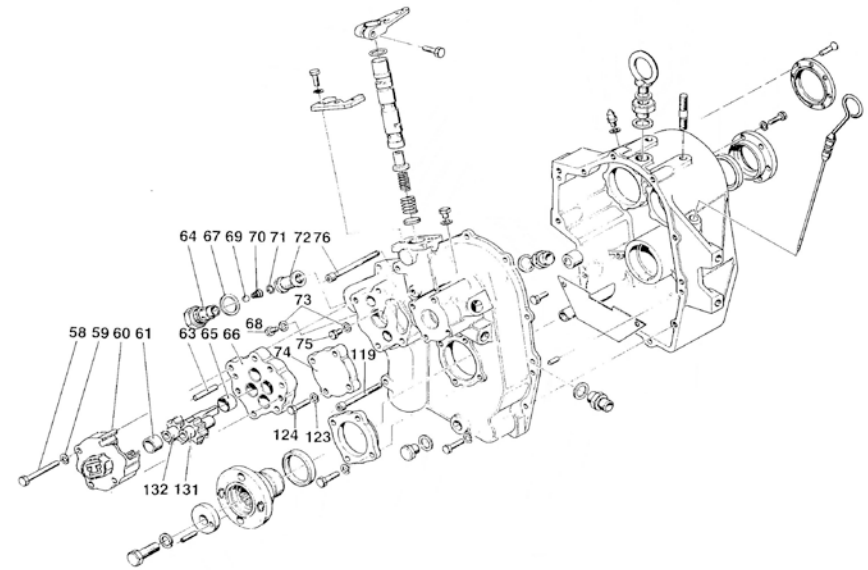
D_5031_1.1		Sheet 1.1/4				
FIG.	REF.	QTY	DESCR.	FROM	UPTO	
107	24810001A	1	Front Body TM 93A			
108	24810080	1	Plate Pipe [NP]			
109	24810081	1	ASPIRATION Tube [NP]			
110	24810082	2	Bolt DIN 933 M8-10 8.8 [NP]			
113	24810085	2	Pin			
114	24810002A	1	Reverse Body TM 93A			
117	24810088	1	Washer 14-20-1,5 [NP]			
118	24810011	1	Plug,oil drain			
119	24810089	1	Screw			
120	24810090	1	Cover			
125	24810214	1	Oil Grommet			
126	24810224	1	Flange, Output			
127	24810219	1	BUTT Washer			
128	24840220	1	Pin			
129	24810221	1	Washer GROWER DIN 127-14 [NP]			
130	24810222	1	Bolt DIN 933 M14X40 12.9			
131	24810095	1	Gear, ConductOR			
132	24810096	1	Gear, Conduct			
134	24810098	3	Screw			
NS	24810043	1	Pump Assy Oil [NS]			



[NP] Not provided
 [NS] Not shown



D_5030_1.2		Sheet 1.2/4				
FIG.	REF.	QTY	DESCR.	FROM	UPTO	
119	24810089	1	Screw			
123	53033008	4	Washer GROWER DIN 127-8			
124	52102258	4	Bolt DIN 933 M8-25 8.8			
131	24810095	1	Gear, ConductOR			
132	24810096	1	Gear, Conduct			
58	24810013	4	Bolt DIN 931 M8-65 8.8 [NP]			
59	24810014	4	Washer GROWER DIN 127-8 [NP]			
61	24810025	2	Bushing			
63	24820023.1	2	Pin			
64	24810024	1	Plug, Oil Filter DRAIN			
67	24810027	1	Washer			
68	24810028	1	Screw			
69	18024143	1	Ball,steel 1/2"			
70	24810030	1	Valve Spring			
71	24810032	1	SNAP Ring			
72	24810035	1	Oil Filter			
73	24810036	2	Washer			
74	24810038	1	Cover			
76	24810040	1	Screw			

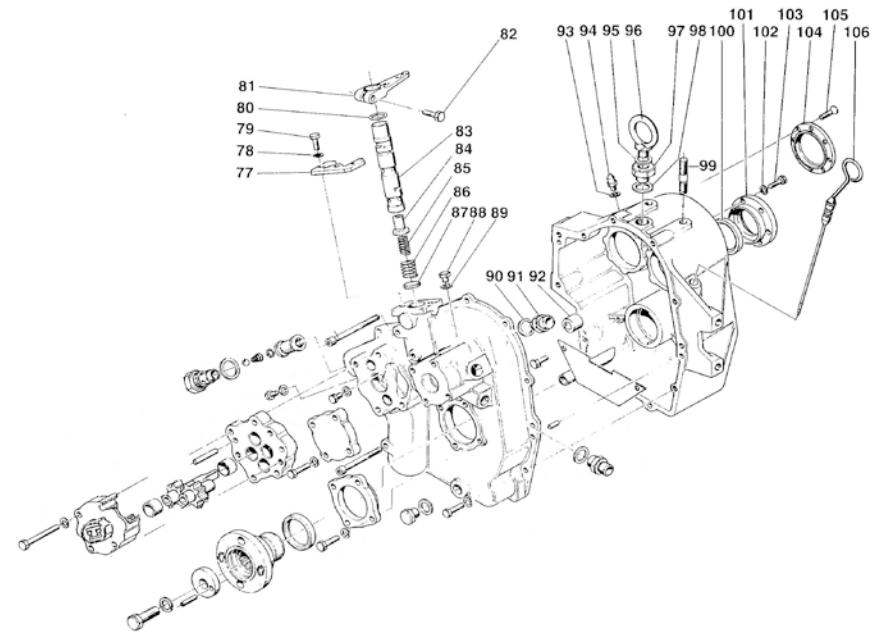


[NP] Not provided





D_5030_1.3		Sheet 1.3/4				
FIG.	REF.	QTY	DESCR.	FROM	UPTO	
100	24810103S	1	Grommet, Oil SILICON			
101	24810072	1	Cover			
102	53033008	6	Washer GROWER DIN 127-8			
103	52102258	6	Bolt DIN 933 M8-25 8.8			
104	24810075	1	Cover			
105	24810076	8	Screw			
106	24830008	1	ROD, LEVEL Oil			
77	24810041	1	Support			
78	24810042	2	Washer GROWER DIN 127-6 [NP]			
79	24810044	2	Bolt DIN 933 M6-16 8.8 [NP]			
80	24810056	1	O-Ring D. 15,08X2,62 [NP]			
81	24810424	1	Lever			
82	24810047	1	Bolt DIN 933 M8-25 8.8 [NP]			
83	24810051	1	Distributor			
84	24810052	1	Valve			
85	24810053	1	Spring, Valve INNER			
86	24810054	1	Spring, Valve			
87	24810055	1	Expansion Plug			
88	24810028	1	Screw			
89	24810036	1	Washer			
90	24810059	1	Plane Washer			
91	24810060	1	Racord			
92	24810062	1	Valve BY PASS [NP]			
93	24810063	2	Plane Washer			
94	24810065	1	Plug			
96	24810012	1	Nut			
97	24810068	1	Plug			
98	56000083	1	Washer 21-26-1,5			
99	24810071	2	Stud			

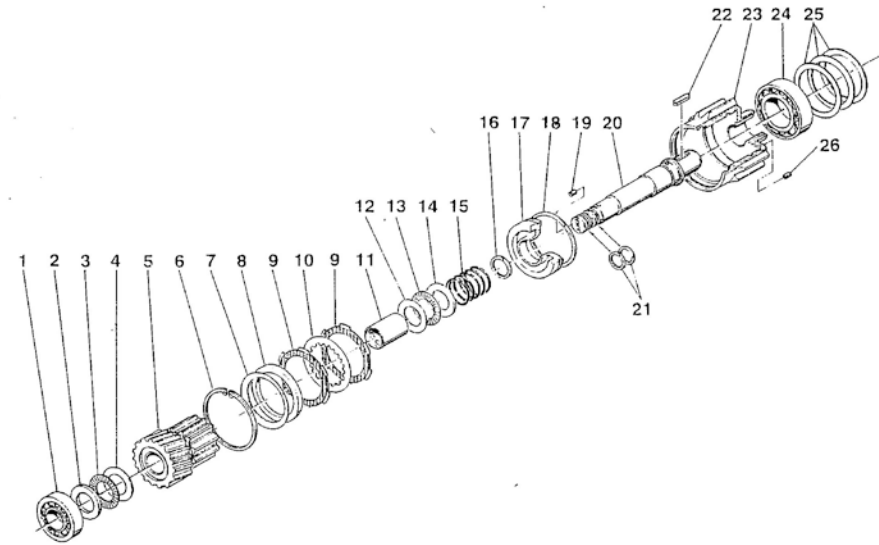


[NP] Not provided





D_5031_2		Intermediate Shaft 2/4			
FIG.	REF.	QTY	DESCR.	FROM	UPTO
1	24870207	1	Bearing		
2	24810307	1	Washer		
3	24810309	1	Roller		
4	24810310	1	Ring		
5	24814302A	1	Gear R. 2,4 TM 93A		
5	24812302A	1	Gear R. 1,5 TM 93A		
5	24813302A	1	Gear Red. 2 TM 93A		
6	24810312	1	SNAP Ring		
7	24810313	1	Ring		
8	24810314	1	Grommet		
9	24810315	10	Disk		
10	24810316	9	Disk		
11	24810317	1	BushING		
12	24870118	1	THRUST RACE		
13	24810309	1	Roller		
14	24870318	1	THRUST RACE		
15	24810322	1	Spring		
16	24810323	1	Washer		
17	24810324	1	Piston		
18	24810325	1	Washer		
19	24810326	1	Plug		
20	24810301	1	INTERMEDIATE Shaft		
21	24810328	2	Washer		
22	24810329	1	KEY		
23	24810330	1	Bell		
24	24870206	1	Bearing		
25	24810333	0	Spacer [VAR]		
26	24810334	1	Plug		

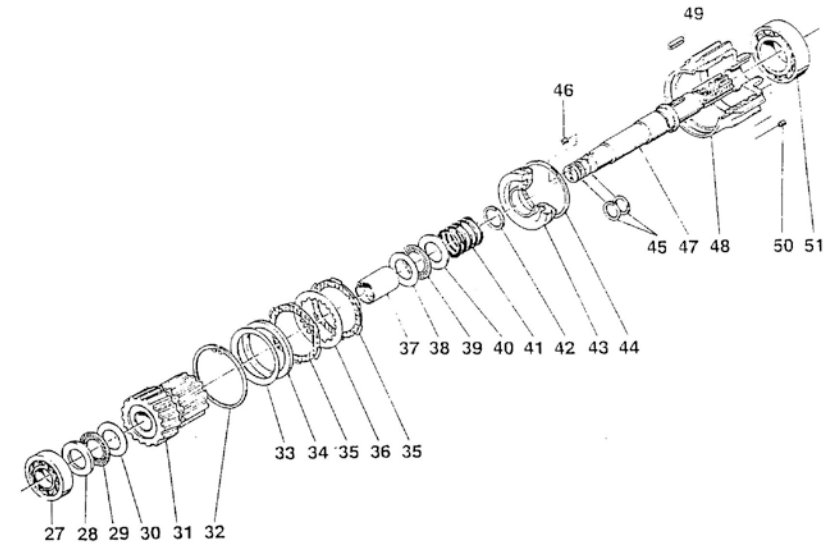


[VAR] Variable according to repair





D_5031_3		Input Shaft 3/4				
FIG.	REF.	QTY	DESCR.	FROM	UPTO	
27	24870207	1	Bearing			
28	24810307	1	Washer			
29	24810309	1	Roller			
30	(*)	1	Not available [NP]			
31	24813302	1	Gear R. 2 TM 93			
31	24814302	1	Gear R. 2,4 TM 93			
31	24812302	1	Gear R. 1,5 TM 93			
32	24810312	1	SNAP Ring			
33	24810313	1	Ring			
34	24810314	1	Grommet			
35	24810315	10	Disk			
36	24810316	9	Disk			
37	24810317	1	BushING			
38	24870118	1	THRUST RACE			
39	24810309	1	Roller			
40	24870318	1	THRUST RACE			
41	24810322	1	Spring			
42	24810323	1	Washer			
43	24810324	1	Piston			
44	24810325	1	Washer			
45	24810328	2	Washer			
46	24810326	1	Plug			
47	24810101	1	Input Shaft			
48	24810330	1	Bell			
49	24810329	1	KEY			
50	24810334	1	Plug			
51	24870206	1	Bearing			

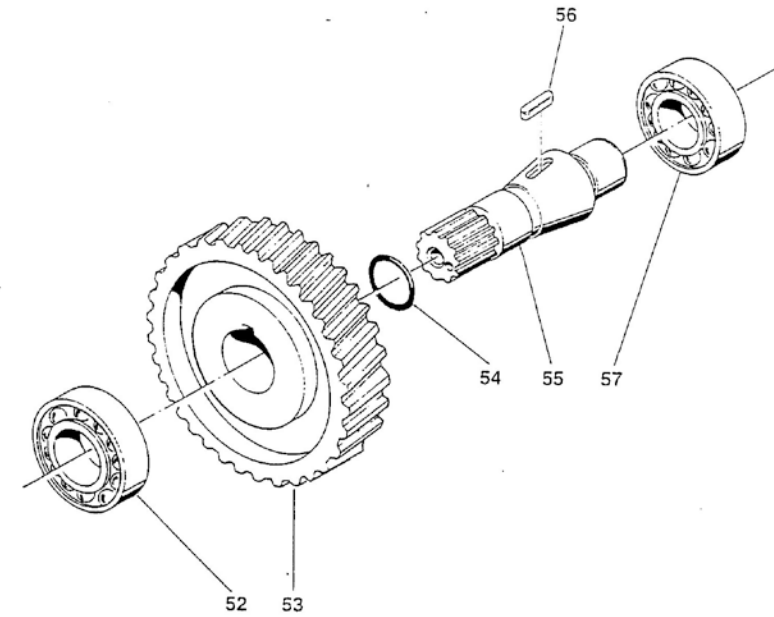


[NP] Not provided

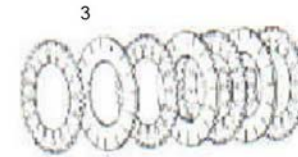
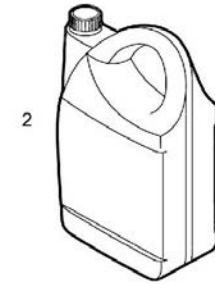
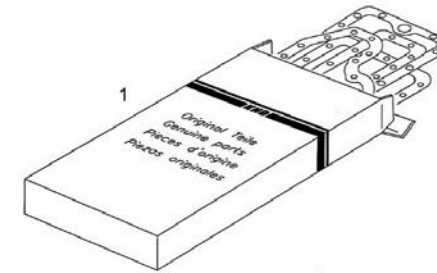




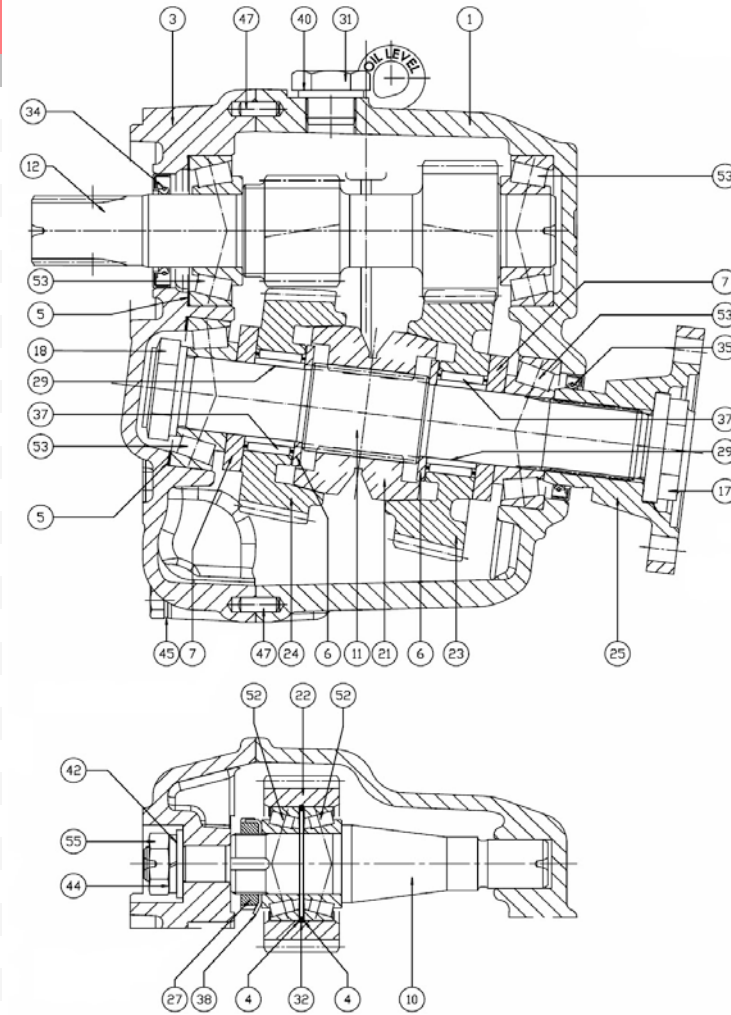
D_5031_4 Output Shaft 4/4						
FIG.	REF.	QTY	DESCR.	FROM	UPTO	
52	24810206	1	Conical Roller Bearing 32208			
53/55	24814201AC	1	Gear+Output Shaft Kit			
53/55	24812201AC	1	Gear+Output Shaft Kit			
53/55	24813201AC	1	Gear+Output Shaft Kit			
54	24810209	1	O-Ring D. 38X3,5			
57	24810212	1	Bearing			



D_5030_5		Maintenance Kit			
FIG.	REF.	QTY	DESCR.	FROM	UPTO
1	24810401	1	Kit Gasket		
2	A0105000	1	15W40 Sole Diesel Oil 5L		
3	24810403	2	Clutch Plate Kit		



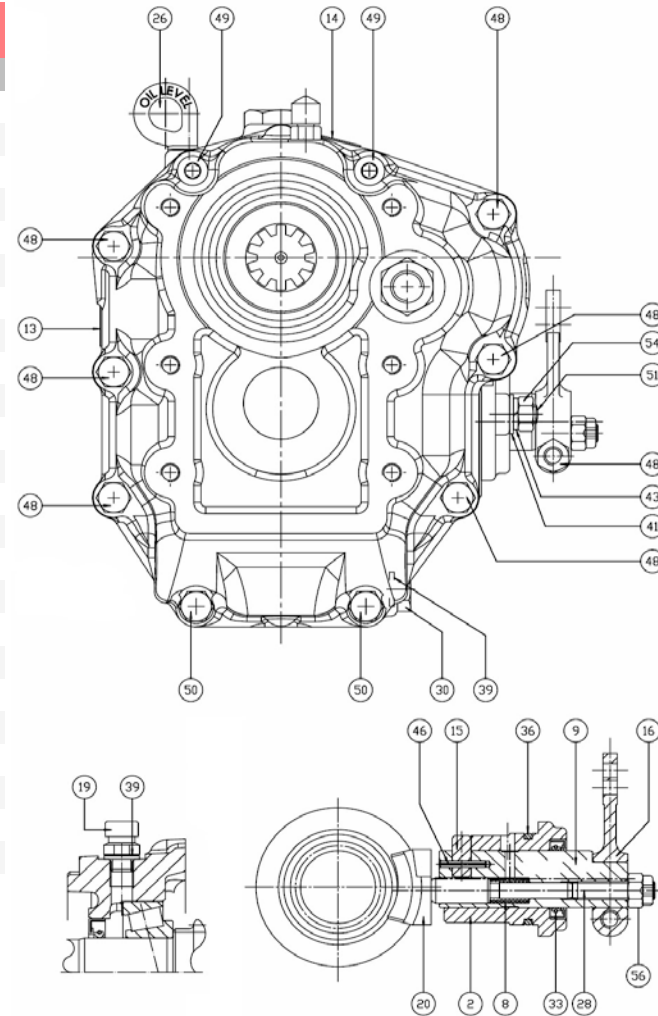
D_5034_1		Sheet 1/2			
FIG.	REF.	QTY	DESCR.	FROM	UPTO
1	24880002A	1	Box		
3	24880001A	1	Cover		
4	24880305	2	Spacer		
5	24813500.67	6	Spacer		
6	24880218	2	Shim		
7	24880217	2	Shim		
10	24880301	1	INTERMEDIATE Shaft		
11	24880201	1	Shaft Output		
12A	24884101	1	Input Shaft		
12B	24883101A	1	Input Shaft		
17	24850099	1	Nut		
18	24880222	1	Nut		
21	24880202	1	Clutch		
22	24880302	1	Gear		
23A	24884210A	1	Gear		
23B	24883210A	1	Gear		
24	24883203A	1	Gear [NP]		
25	24880224	1	Flange Output		
27	24880310	1	Nut		
29	24880205	2	CAGE		
31	24830011	1	Plug		
32	24880309	1	Ring		
34	22210103	1	Seal,oil BA 30-47-7		
35	25210214	1	Seal,oil 40-52-7		
37	24880204	2	Bearing, needle		
38	24880308	1	Washer		
40	56000083	1	Washer 21-26-1,5		
42	51030014	1	Washer DIN 125-14		
44	53033014	1	Washer GROWER DIN 127-14		
45	24850093	10	Washer		
47	24860023	2	Pin		
52	24860206	2	Conical Roller Bearing 32005		
53	25710104	4	Conical Roller Bearing 32206-J2/Q		
55	24880307	1	Nut		



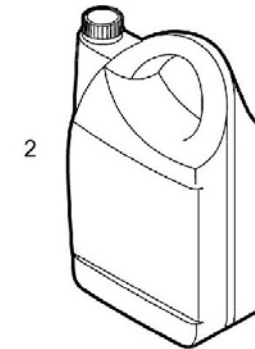
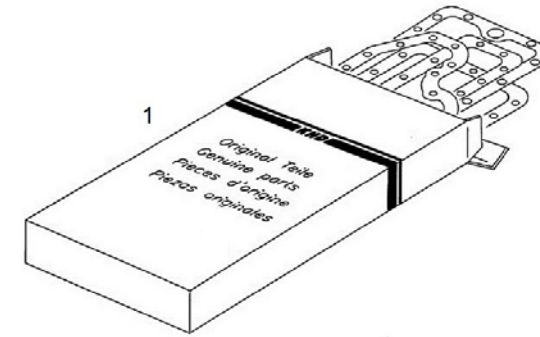
[NP] Not provided



D_5034_2		Sheet 2/2				
FIG.	REF.	QTY	DESCR.	FROM	UPTO	
2	24880401	1	Cover			
8	24860411	1	Spring			
9	24880402	1	Shaft			
13	24850005	1	Plate, IDENTIFICATION			
14	24860006	1	ATF Oil Plate			
15	24860419	1	Pin			
16	24810424	1	Lever			
19	24810065	1	Plug			
20	24880423	1	Pad			
26	24860008P	1	Gauge			
28	24880409	1	Screw			
30	24850011	1	Plug,oil drain			
33	24860404	1	Oil Seal			
36	24860417	1	O-Ring			
39	24810063	2	Plane Washer			
41	51030008	2	Washer DIN 125-8			
43	53033008	2	Washer GROWER DIN 127-8			
46	53052210	1	Pin DIN 1481 3-20			
48	52102258	7	Bolt DIN 933 M8-25 8.8			
49	52103258	2	Bolt DIN 912 M8-25 8.8			
50	52101263	2	Bolt DIN 931 M8-50 8.8			
51	24860071	2	STUD			
54	52120008	2	Nut DIN 934 M8 8.8			
56	51123008	1	Nut DIN 985 M8 5.6			



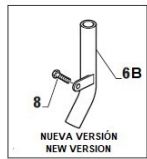
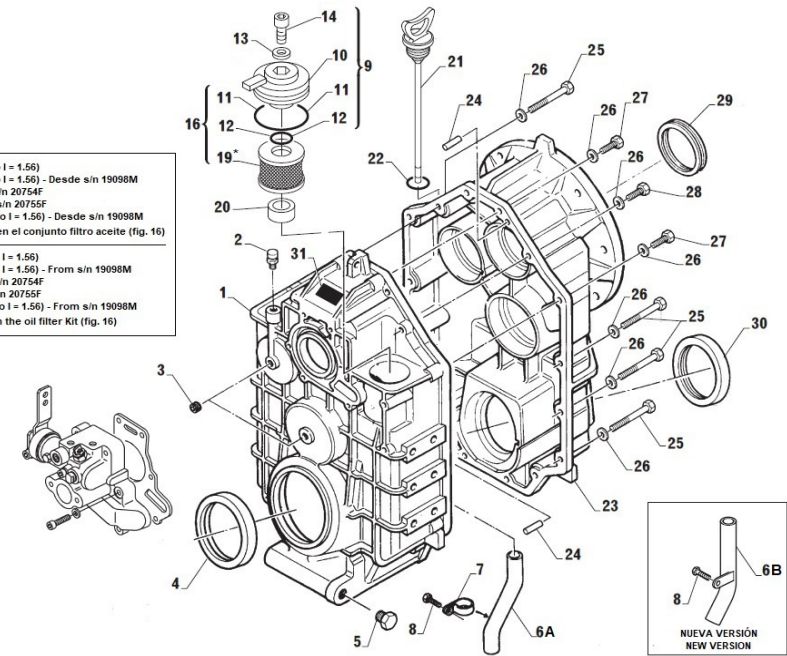
D_5035_3 Kit de Service						
FIG.	REF.	QTY	DESCR.	FROM	UPTO	
1	24883401	1	Gasket Kit			
2	A0201000	2	ATF Sole Diesel Oil 1L			



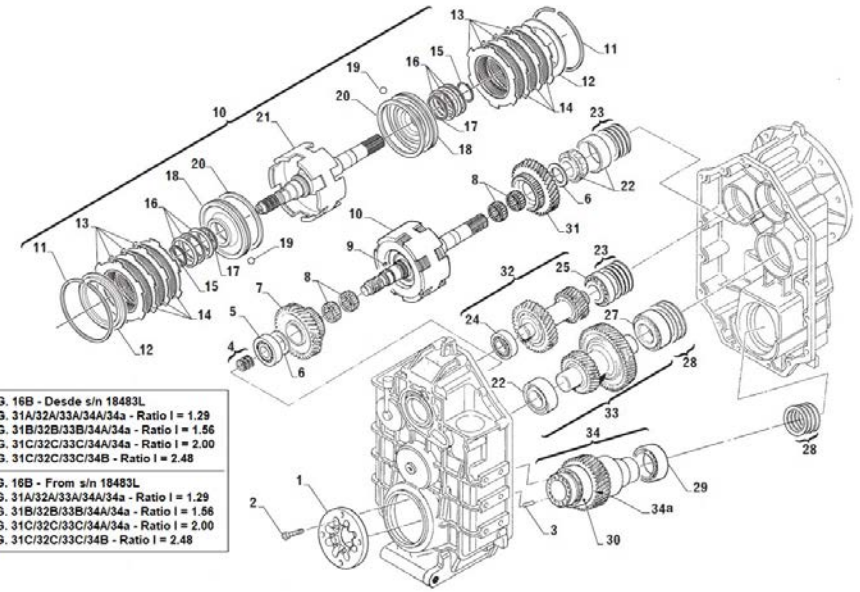


D_50Z3_1		Sheet 1/2			
FIG.	REF.	QTY	DESCR.	FROM	UPTO
1	24640001	1	Housing		
2A	24640002	1	Breather valve		
2B	24642001	1	Hunger breather valve		
3	24610036	2	Plug		
4A	24640004	1	Output shaft seal		
4B	24642002	1	Output shaft seal		
5	24640005	1	Plug		
6A	24640006	1	Suction pipe		
6B	24640007	1	Suction pipe with support		
7	24640008	1	Retainer support		
8	24640009	1	Hex head screw		
9	24640010	1	Filter cover, assy.		
11	24640011	1	O-Ring		
12	24640012	1	O-Ring		
13	24610413	1	Washer		
14	24640014	1	Screw M8x30		
16	24613352	1	Filter Assy,oil		
19	24640018	1	Oilfilter		
20	24640019	1	Gasket		
21A	24640020	1	Oildipstick		
21B	24640021	1	Oildipstick + OR		
22	24640022	1	O-Ring		
23	24640023	1	Cover (housing)		
24	24640024	2	Locator pin		
25	24640025	4	Hex head screw		
26	24640026	16	Washer		
27	24640027	11	Hex head screw		
28	24640028	1	Hex head screw		
29	24640029	1	Input shaft seal		
30A	24640030	1	Output shaft seal		
30B	24642003	1	Output shaft seal		
31	24640031	1	Name plate		

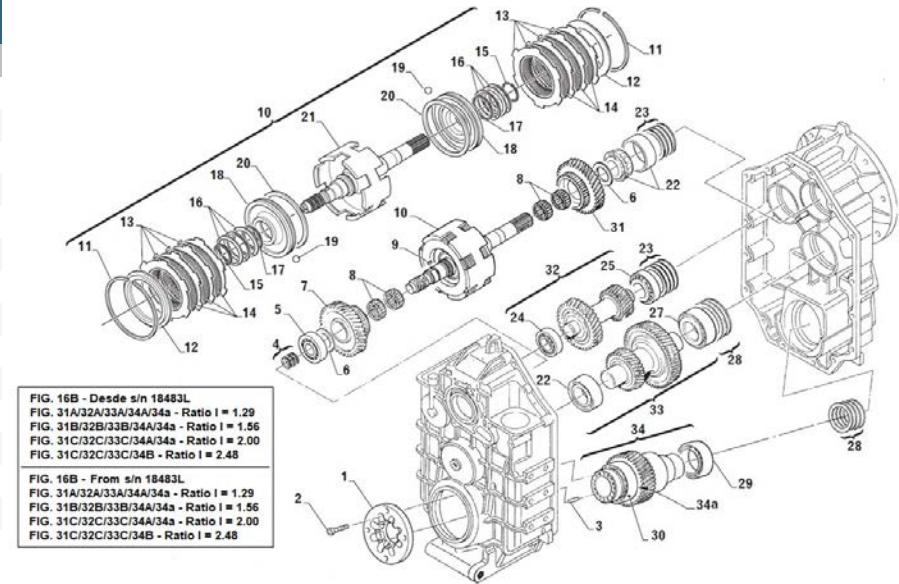
FIG. 2B (solo ratio I = 1.56)
 FIG. 4B (solo ratio I = 1.56) - Desde s/n 19098M
 FIG. 21A - Hasta s/n 20754F
 FIG. 21B - Desde s/n 20755F
 FIG. 30B (solo ratio I = 1.56) - Desde s/n 19098M
 * Solo se vende en el conjunto filtro aceite (fig. 16)
 FIG. 2B (only ratio I = 1.56)
 FIG. 4B (only ratio I = 1.56) - From s/n 19098M
 FIG. 21A - Up To s/n 20754F
 FIG. 21B - From s/n 20755F
 FIG. 30B (only ratio I = 1.56) - From s/n 19098M
 * Supplied only in the oil filter Kit (fig. 16)



D_50Z3_2		Sheet 2/2			
FIG.	REF.	QTY	DESCR.	FROM	UPTO
1	24640034	1	Flange		
2	24640035	8	Screw		
3	24640201	4	Locator pin		
4	24640101	3	Piston ring		
5	24640102	1	Tapered roller bearing		
6	24640103	2	Butting ring		
7	24640104	1	Reverse gear Z3=49		
8	24640105	4	Needle bearing		
9	24640106	1	Key		
10	24640107	1	Input shaft, assy.		
11	24640108	2	Snap ring		
12	24640109	2	End disc		
13	24640110	10	Outer clutch disc		
14	24640111	8	Inner clutch disc		
15	24640112	2	Retainer ring		
16A	24640113	6	Cup spring		
16B	24640114	6	Cup spring		
17	24640115	2	Inner clutch piston ring		
18	24640116	2	Clutch piston		
19	24640117	2	Ball		
20	24640118	2	Outer clutch piston ring		
21	24640119	1	Input shaft and clutch housing		
22	24640120	2	Tapered roller bearing		
23A	24640121	2	Shim 0.1 mm		
23B	24640122	2	Shim 0.15 mm		
23C	24640301	2	Shim 0.2 mm		
23D	24640302	2	Shim 0.5 mm		
24	24640303	1	Tapered roller bearing		
25	24640304	1	Tapered roller bearing		
27	24640306	1	Tapered roller bearing		
28A	24640307	2	Shim 0.1 mm		
28B	24640308	2	Shim 0.15 mm		
28C	24640309	2	Shim 0.3 mm		
28D	24640310	2	Shim 0.5 mm		
29	24640202	1	Tapered roller bearing		

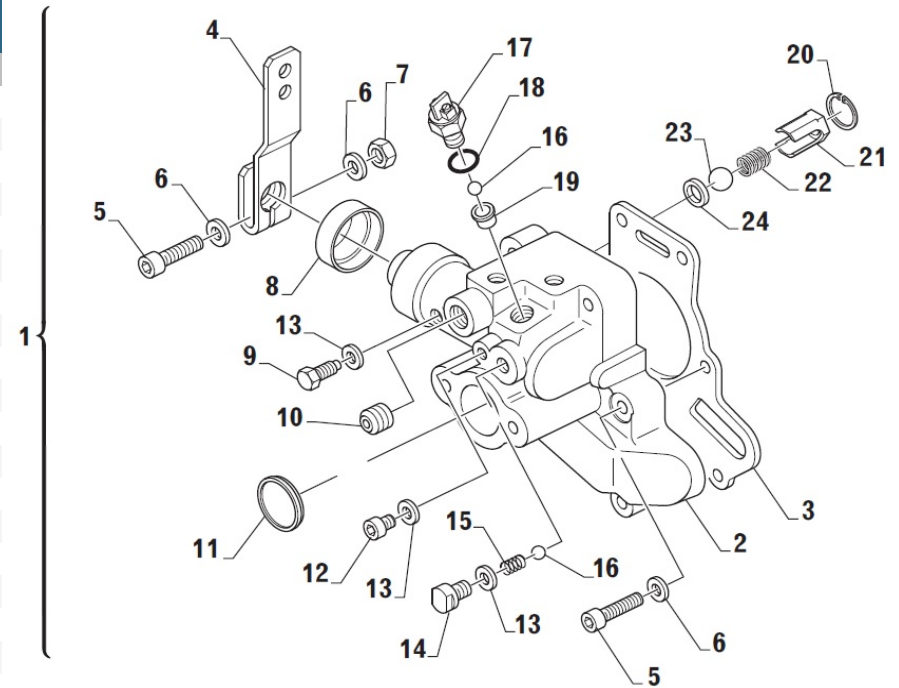


D_50Z3_2		Sheet 2/2				
FIG.	REF.	QTY	DESCR.	FROM	UPTO	
30	24640203	1	Tapered roller bearing			
31A	24642104	1	Forward gear Z1=39			
31B	24642105	1	Forward gear Z1=35			
31C	24643101	1	Forward gear Z1=30			
32A	24642306	1	Intermediate shaft Z4=45, Z5=36			
32B	24642307	1	Intermediate shaft Z4=45, Z5=32			
32C	24643302	1	Intermediate shaft Z4=45, Z5=27			
33A	24642308	1	Intermediate shaft Z2=49, Z6=33			
33B	24642309	1	Intermediate shaft Z2=53, Z6=33			
33C	24643303	1	Intermediate shaft Z2=58, Z6=33			
33D	24644303	1	Intermediate shaft Z2=58, Z6=32			
34a	24642212	1	Spacer			
34A	24642210	1	Output shaft Z7=34			
34B	24644204	1	Output shaft Z7=41			

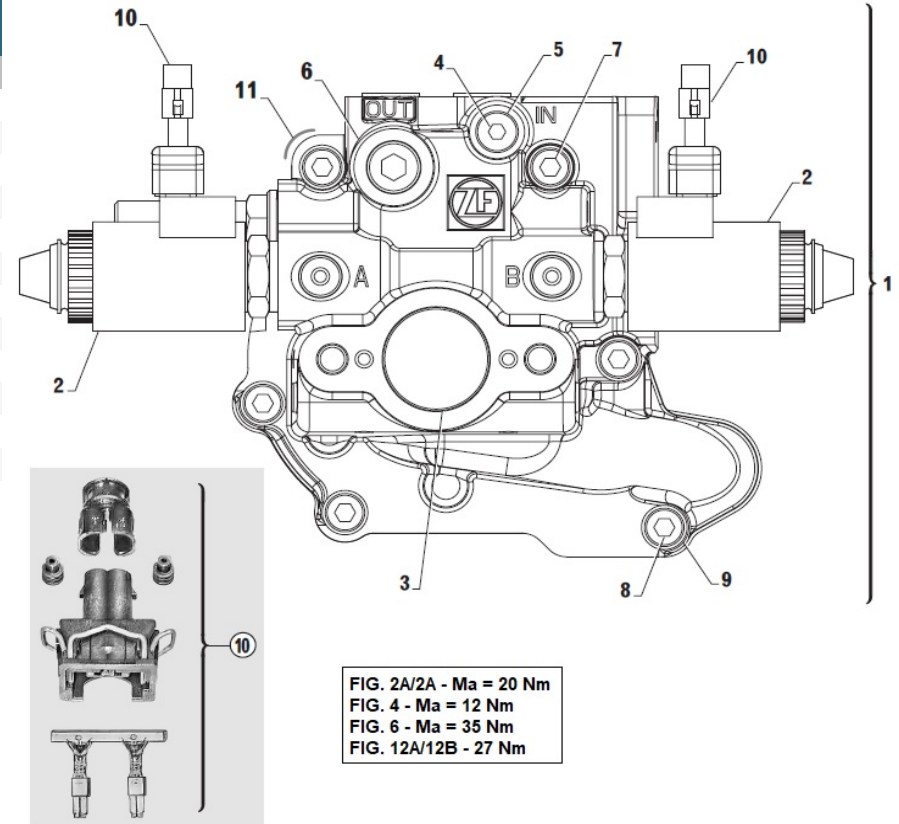




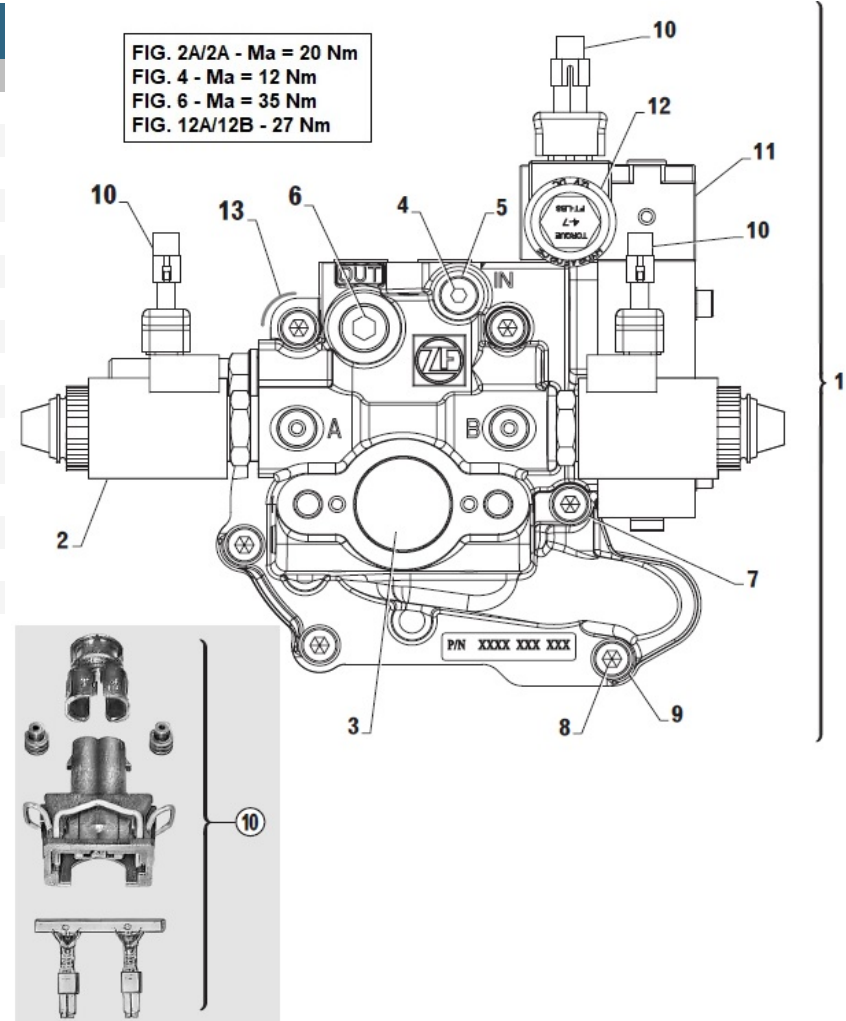
D_50Z3_3		Mechanical Selector Valve			
FIG.	REF.	QTY	DESCR.	FROM	UPTO
1A	24640401	1	Control Valve Assy. 23 Bar		
3	24640403	1	Gasket		
4	24640404	1	Lever		
5	24610404	7	Cap Screw M8X40		
6	24610033	8	Spring Washer		
7	24610041	1	Hex Nut		
8	24640408	1	Gasket		
9	24640409	1	Stop Screw		
10	24640410	1	Screw Plug		
11	24640411	1	Dummy Plug		
12	24640412	1	Screw Plug M10X1		
13	24640413	3	Washer		
14	24640414	1	Guide Bolt		
15	24640415	1	Spring		
16	24640416	2	Ball		
17	24640417	1	Neutral Safety Switch Assy.		
18	24640418	1	O-Ring		
19	24640419	1	Bushing		
20	24640420	1	Snap Ring		
21	24640421	1	Bushing		
22	24640422	1	Spring		
23	24640423	1	Ball		
24	24640424	1	Spacer		



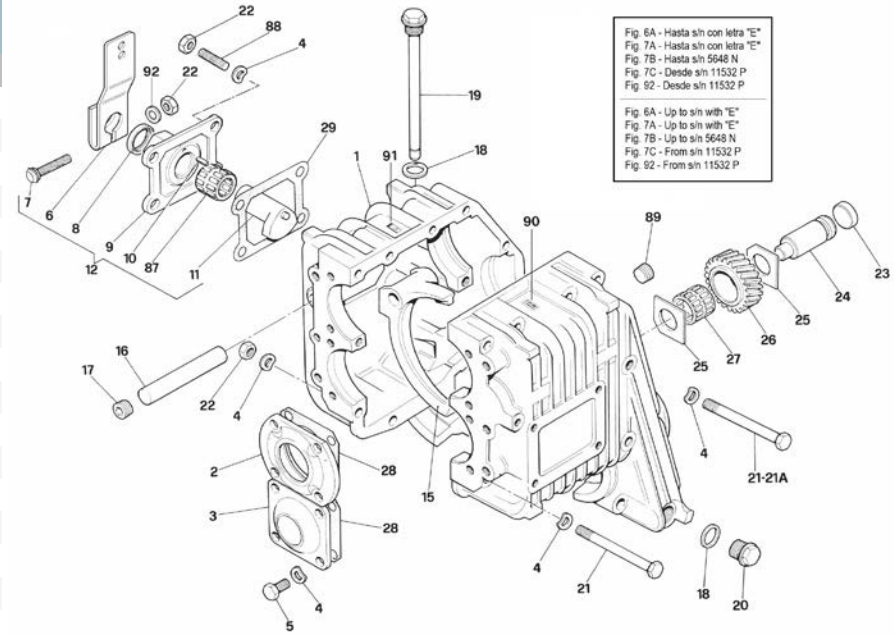
D_50Z3_4		Electric Selector Valve 12V/24V			
FIG.	REF.	QTY	DESCR.	FROM	UPTO
1A	24640501	1	Electr. Selector Valve On/Off 26 Bar 12V		
1B	24640502	1	Electr. Selector Valve On/Off 26 Bar 24V		
2A	24640503	2	Solenoid Valve On/Off 12V, 26 Bar		
2B	24640504	2	Solenoid Valve On/Off 24V, 26 Bar		
3	24640411	1	Dummy Plug		
4	24640412	1	Screw Plug M10X1		
5	24640413	1	Washer		
6	24640410	1	Screw Plug		
7	24640509	2	Cap Screw M8X65		
8	24610404	4	Cap Screw M8X40		
9	24610033	6	Spring Washer		
10	24640512	2	Connector Kit		
11	24640403	1	Gasket		



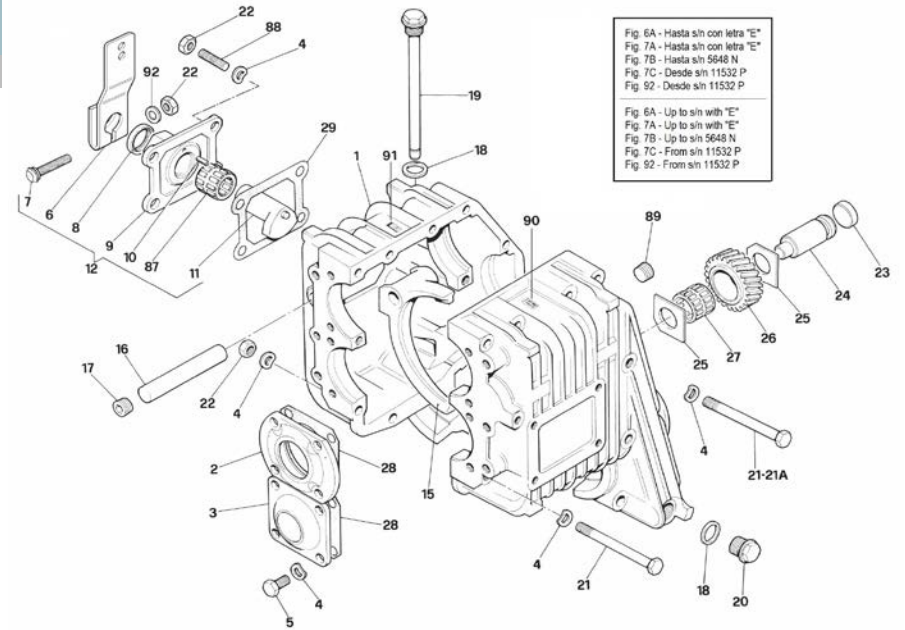
D_50Z3_5 Electric Selector Valve 12V/24V (TV)					
FIG.	REF.	QTY	DESCR.	FROM	UPTO
1A	24640514	1	Elec. Selec. Valve On/Off 12V 26 Bar TV		
1B	24640515	1	Elec. Selec. Valve On/Off 24V 26 Bar TV		
2A	24640503	2	Solenoid Valve On/Off 12V, 26 Bar		
2B	24640504	2	Solenoid Valve On/Off 24V, 26 Bar		
3	24640411	1	Dummy Plug		
4	24640412	1	Screw Plug M10X1		
5	24640413	1	Washer		
6	24640410	1	Screw Plug		
7	24640509	2	Cap Screw M8X65		
8	24610404	4	Cap Screw M8X40		
9	24610033	6	Spring Washer		
10	24640512	3	Connector Kit		
11	24640526	1	Trolling Device		
12A	24640527	1	Proportional Valve 12V		
12B	24640528	1	Proportional Valve 24V		
13	24640403	1	Gasket		



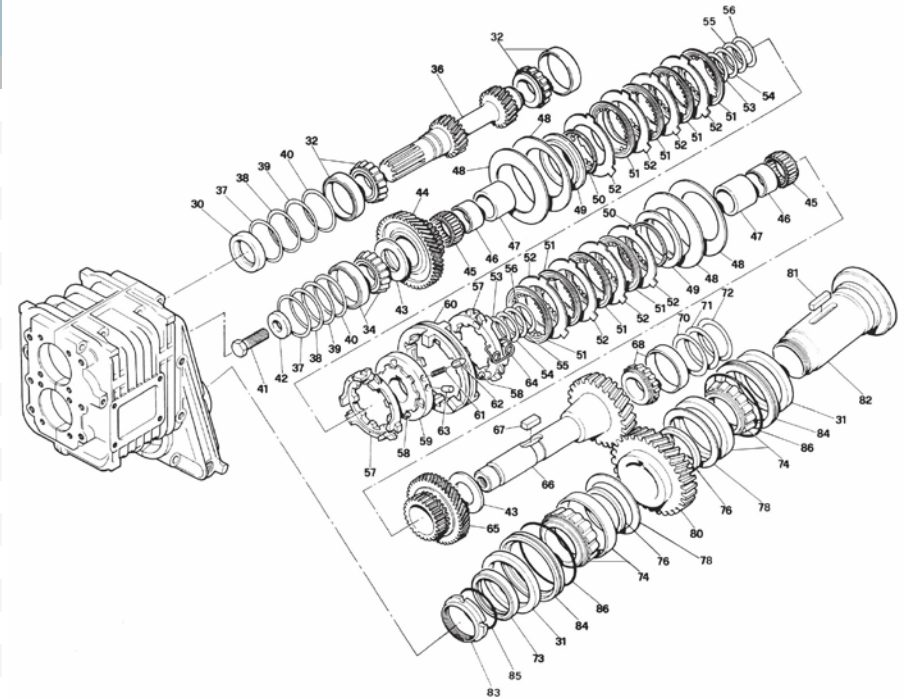
D_50Z2_1		Sheet 1/2			
FIG.	REF.	QTY	DESCR.	FROM	UPTO
1	24610030	1	Housing Assy		
2	24610031	1	Cover		
3	24610032	1	Cover		
4	24610033	37	Spring Washer		
5	24610034	8	Hex Screw		
6A	24610401	1	Actuating Lever		
6B	24610402	1	Actuating Lever		
7A	24610403	1	Hex Head Screw		
7B	24610404	1	Cap Screw M8X40		
7C	24610405	1	Screw (Actuating Lever)		
8	24610406	1	Shaft Seal Ring		
9	24610407	1	Cover		
10	24610408	1	Dowel Pin		
11	24610409	1	Actuating Cam Assembly		
12	24610400	1	Shift Cover Assembly		
15	24610411	1	Shift Fork		
16	24610035	1	Shift Rod		
17	24610036	1	Plug		
18	24610037	1	Sealing Ring		
19	24610038	1	Dipstick		
20	24610039	1	Oil Drain Plug		
21	24610040	14	Hex Screw		
22	24610041	16	Hex Nut		
23	24610042	1	Plug		
24	24610301	1	Intermediate Shaft		
25	24610302	2	Disc		
26	24610303	1	Intermediate Gear		
27	24610304	1	Needle Bearing		
28	24610043	2	Gasket		
29	24610412	1	Gasket (or Loctite 518)		
87	24610410	2	Needle Bearing		
88	24610044	4	Stud		
89	24610045	4	Plug		
90	24610046	1	Name Plate		
91	24610047	1	Oil Name Plate		



D_50Z2_1		Sheet 1/2			
FIG.	REF.	QTY	DESCR.	FROM	UPTO
92	24610413	1	Washer		

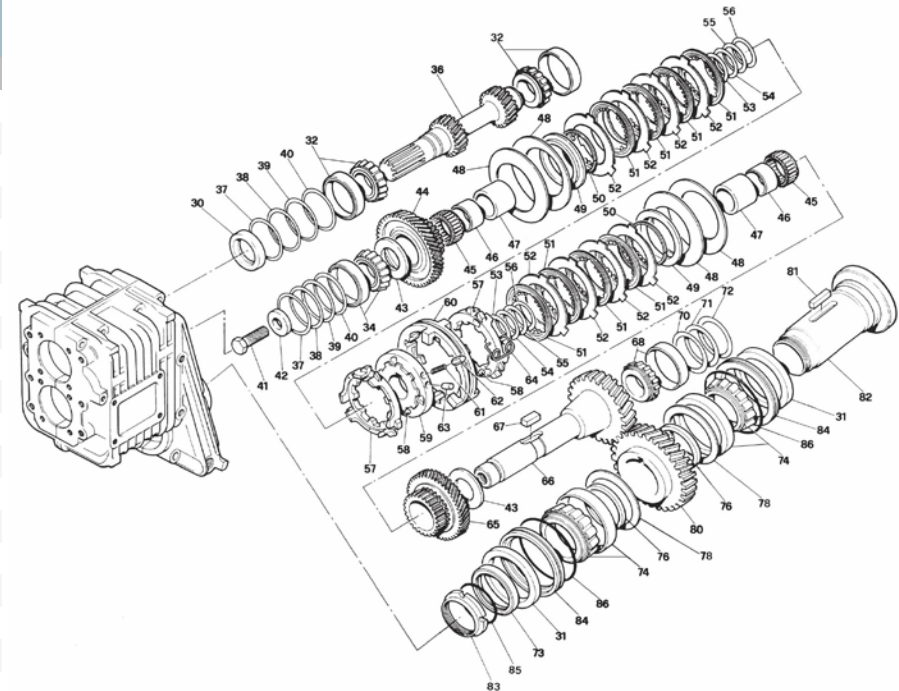


D_50Z2_2		Sheet 2/2				
FIG.	REF.	QTY	DESCR.	FROM	UPTO	
30	24613430	1	-----			
31	24613431	2	-----			
32	24610102	2	Tapered Roller Bearing			
34	24610305	1	Tapered Roller Bearing			
36A	24610103	1	Input Shaft Hbw 150 V 1.8R Z1/Z3=27/22			
36B	24610104	1	Input Shaft Zf 15 Miv 2.13R Z1/Z3=24/22			
36C	24610105	1	Input Shaft Zf 15 Miv 2.72R Z1/Z3=18/22			
36D	24610106	1	Input Shaft Zf 15 Miv 2.99R Z1/Z3=19/22			
37	24610107	2	Shim 0.10 mm			
38A	24610108	2	Shim 0.15 mm			
38B	24610109	2	Shim 0.20 mm			
38C	24610110	2	Shim 0.30 mm			
39	24610111	2	Shim 0.50 mm			
40	24610112	2	Shim 1.00 mm			
41	24610307	1	Hex Head Screw			
42	24610308	1	Spacer			
43	24610309	2	Thrust Ring			
44A	24610310	1	Gear Hbw 150 V - 1.8R «08» Z2=42			
44B	24610311	1	Gear Zf 15 Miv - 2.13R «001» Z2=45			
44C	24610312	1	Gear Zf 15 Miv - 2.72R «003» Z2=43			
44D	24610313	1	Gear Zf 15 Miv - 2.99R «002» Z2=50			
45	24610314	2	Needle Bearing			
46	24610315	2	Needle Bearing			
47	24610316	2	Spacer			
48	24610317	4	Spring			
49	24610318	2	Disc			
50	24610319	4	Ring Half			
51	24610320	8	Internal Clutch Disc			
52	24610321	8	External Clutch Disc			
53A	24610322	2	Shim 0.3 mm			
53B	24610323	2	Shim 0.4 mm			
54	24610324	2	Shim 0.5 mm			
55	24610325	2	Shim 0.6 mm			
56	24610326	2	Shim 0.7 mm			
57	24610327	2	Disc Carrier			

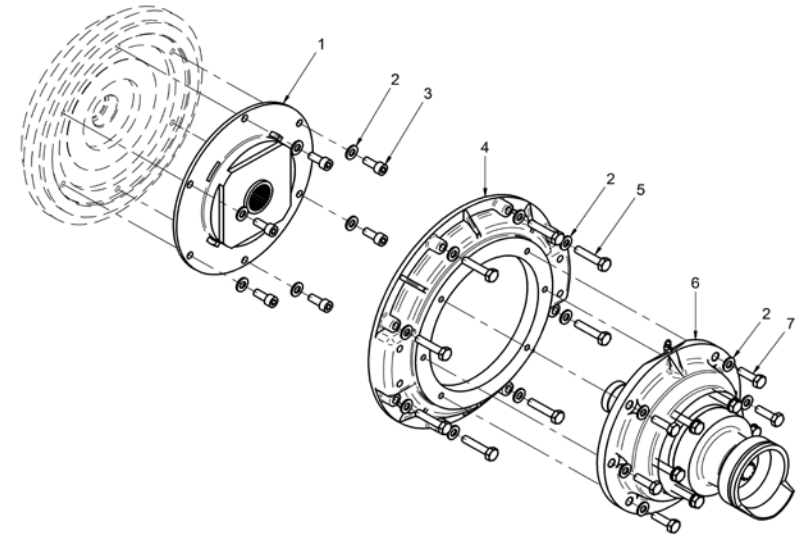




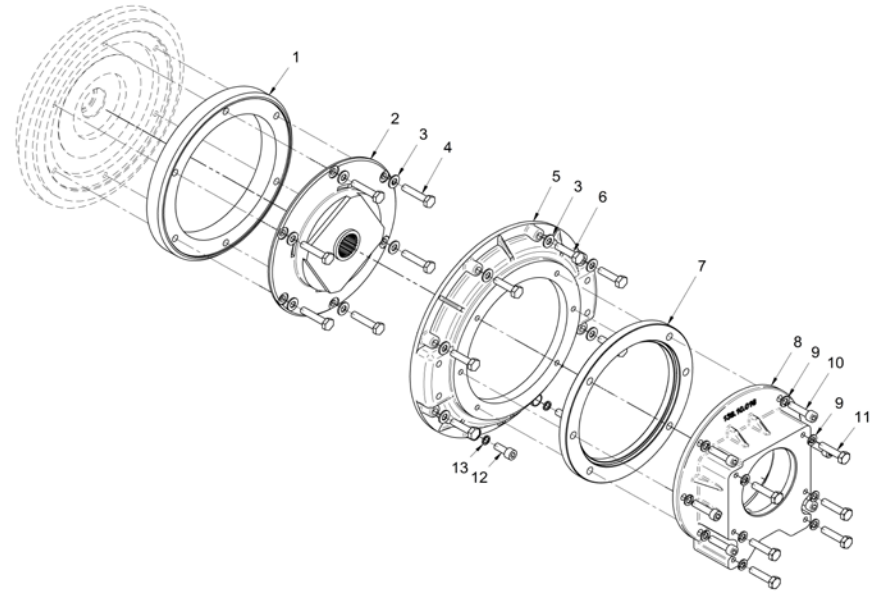
D_50Z2_2		Sheet 2/2				
FIG.	REF.	QTY	DESCR.	FROM	UPTO	
58	24610328	6	Ball			
59	24610329	1	Guide Sleeve			
60	24610330	1	Change Selector			
61	24610331	3	Pressure Spring			
62	24610332	3	Stop Pin			
63	24610333	3	Guide Pin			
64	24610334	3	Torsion Spring			
65	24610335	1	Gear Z5=43			
66	24610336	1	Intermediate Shaft Z6=29			
67	24610337	2	Cotter			
68	24610338	1	Tapered Roller Bearing			
70	24610339	2	Shim 0.1 mm			
71	24610340	1	Shim 0.3 mm			
72	24610341	1	Shim 0.5 mm			
73	24610202	1	Ring			
74	24610203	2	Tapered Roller Bearing			
76	24610204	2	Spacer Ring			
78A	24610205	2	Shim 1.1 mm			
78B	24610206	2	Shim 1.2 mm			
78C	24610207	2	Shim 1.3 mm			
78D	24610208	2	Shim 1.4 mm			
78E	24610209	2	Shim 1.5 mm			
78F	24610210	2	Shim 1.6 mm			
78G	24610211	2	Shim 1.7 mm			
78H	24610212	2	Shim 1.8 mm			
78I	24610213	2	Shim 1.9 mm			
78J	24610214	2	Shim 2.0 mm			
78K	24610215	2	Shim 2.1 mm			
78L	24610216	2	Shim 2.2 mm			
78M	24610217	2	Shim 2.3 mm			
78N	24610218	2	Shim 2.4 mm			
80	24610219	1	Gear Z=33			
81	24610220	1	Key			
82	24610221	1	Output Shaft			
83	24610222	1	Ring Nut			
84	24610223	2	Ring			
85	24610224	1	O-Ring			
####	24610225	2	O-Ring			



17110100.1		Kit Z-Drive VOLVO 270/280/290 Z=10			
FIG.	REF.	QTY	DESCR.	FROM	UPTO
1	17110071	1	Flexible Coupling Type B SAE 8"		
2	53038010	20	Washer DIN 6798-A 10		
3	52103308	6	Bolt DIN 912 M10-25 8.8		
4	17010018.1	1	Adaptor SAE 7 RD		
5	52201313	8	Bolt DIN 931 M10-1,25-50 8.8		
6	17110100.1R	1	Kit Z-Drive Volvo 270/280/290 Z=10		
7	52102310	6	Bolt DIN 933 M10-35 8.8		

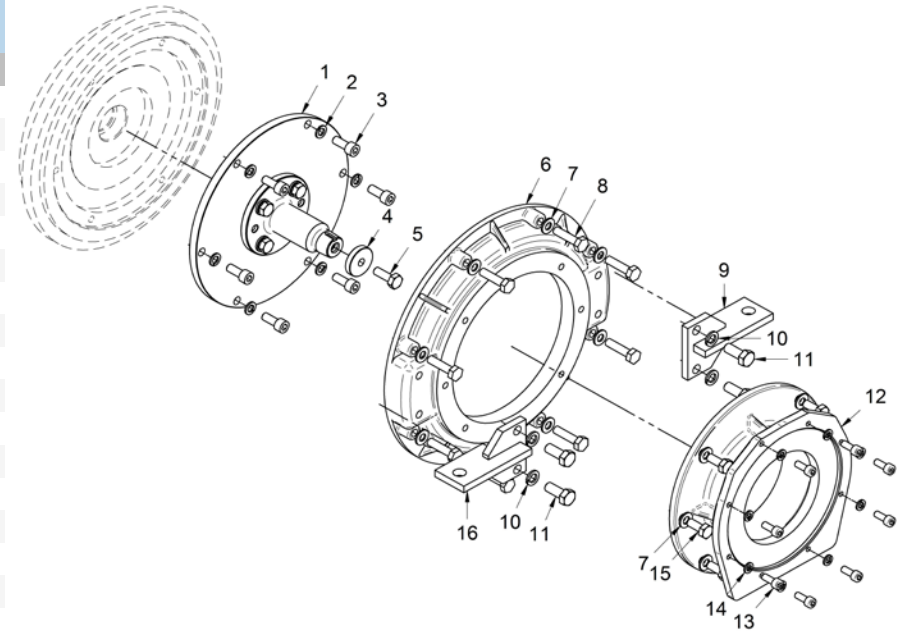


17110110		Kit S-Drive VOLVO 110S			
FIG.	REF.	QTY	DESCR.	FROM	UPTO
1	17110111.1	1	Suplement,Flywheel		
2	17110071.3	1	Damper		
3	53038010	12	Washer DIN 6798-A 10		
4	17110112	6	Bolt DIN 7984 M10 p.1,25 x 45 8.8		
5	17110014.1	1	SAE 7, Adaptor Flange		
6	52202311	6	Bolt DIN 933 M10-1,25-40 8.8		
7	17110013.1	1	Spacer		
8	13810016	1	Spacer,VOLVO Stern Drive ADAP.110S		
9	53033010	12	Washer GROWER DIN 127-10		
10	52103311	6	Bolt DIN 912 M10-40 8.8		
11	52102312	6	Bolt DIN 933 M10-45 8.8		
12	52203308	2	Bolt DIN 912 M10-1,25-25 12.9		
13	53034010	2	Washer GROWER DIN 7980 10		



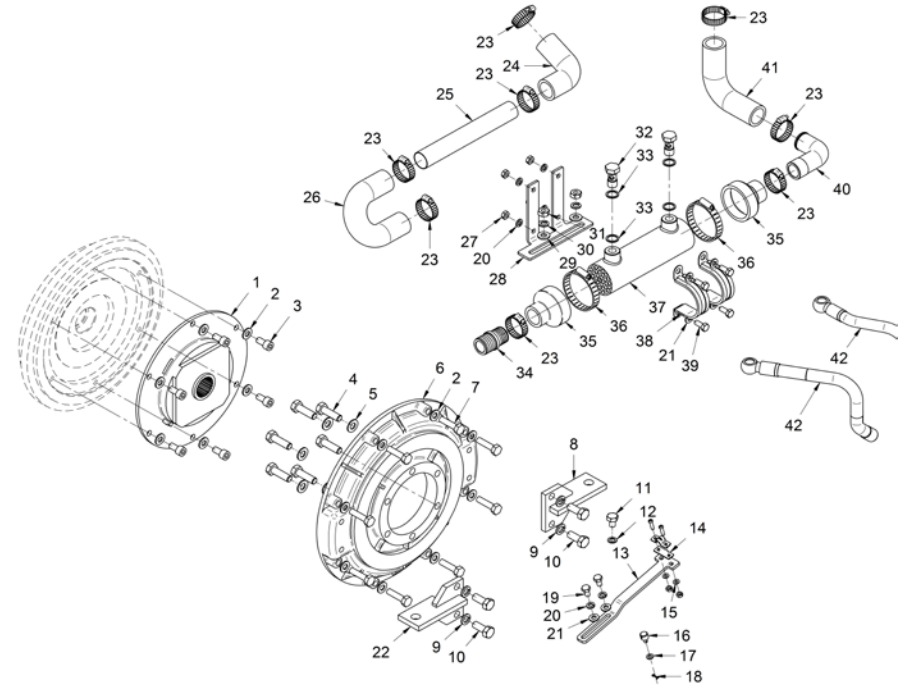


17110125		Kit S-Drive BUKH DV48				
FIG.	REF.	QTY	DESCR.	FROM	UPTO	
1	17110025	1	Shaft			
2	53033010	6	Washer GROWER DIN 127-10			
3	52103308	6	Bolt DIN 912 M10-25 8.8			
4	13910027	1	Washer			
5	52102309	1	Bolt DIN 933 M10-30 8.8			
6	17010018.1	1	Adaptor SAE 7 RD			
7	53038010	14	Washer DIN 6798-A 10			
8	52202311	8	Bolt DIN 933 M10-1,25-40 8.8			
9	17110008	1	Left Rear Bracket			
10	53033012	4	Washer GROWER DIN 127-12			
11	52102359	4	Bolt DIN 933 M12-30 8.8			
12	17310026	1	BUKH S-Drive DV-36, DV-38 Adaptor Flange			
13	52103257	8	Bolt DIN 912 M8-20 8.8			
14	53033008	8	Washer GROWER DIN 127-8			
15	52102308	6	Bolt DIN 933 M10-25 8.8			
16	17110009	1	Right Rear Bracket			





17110200		Kit GearBox TM-93/A			
FIG.	REF.	QTY	DESCR.	FROM	UPTO
1	17110071	1	Flexible Coupling Type B SAE 8"		
2	53038010	14	Washer DIN 6798-A 10		
3	53203307	6	Bolt DIN 912 M10x1,25-20 12.9		
4	52102361	5	Bolt DIN 933 M12-40 8.8		
5	53038012	5	Washer DIN 6798-A 12		
6	17010017.1	1	Adaptor TM-93	29/12/1999	
7	52202311	8	Bolt DIN 933 M10-1,25-40 8.8		
8	17110008	1	Left Rear Bracket		
9	53033012	4	Washer GROWER DIN 127-12		
10	52102359	4	Bolt DIN 933 M12-30 8.8		
11	52102306	1	Bolt DIN 933 M10-15 8.8	06/06/2007	
12	56000061	1	Washer 10-16-1,5		
13	18619020	1	Bracket,Gear box control		
14	24810913	1	Clamp,CABLE		
15	51030005	2	Washer DIN 125-5		
16	ALLPA.93	1	Coupling,cable	23/05/2017	
16	14719115	1	Coupling,cable		23/05/2017
17	51030006	4	Washer DIN 125-6		26/06/2017
18	51051107	1	Pin DIN-94 1,6-16	08/11/2011	26/06/2017
19	52102256	2	Bolt DIN 933 M8-15 8.8		
20	53033008	6	Washer GROWER DIN 127-8		
21	51030008	6	Washer DIN 125-8		
22	17110009	1	Right Rear Bracket		
23	54082025	8	Clamp DIN 3017 25-40/12 W4		
24	17111037	1	Pipe		
25	17111026	1	Pipe		
26	17111036	1	Pipe		
27	52120008	4	Nut DIN 934 M8 8.8		
28	18012041	1	Bracket,TM93/170 oil cooler		
29	51030010	2	Washer DIN 125-10		
30	53033010	2	Washer GROWER DIN 127-10		
31	52120010	2	Nut DIN 934 M10 8.8		
32	14712015	2	Bolt,Coupling pipe oil		
33	57000375	4	Washer 17-22-1,5		
36	18011026	1	Pipe		

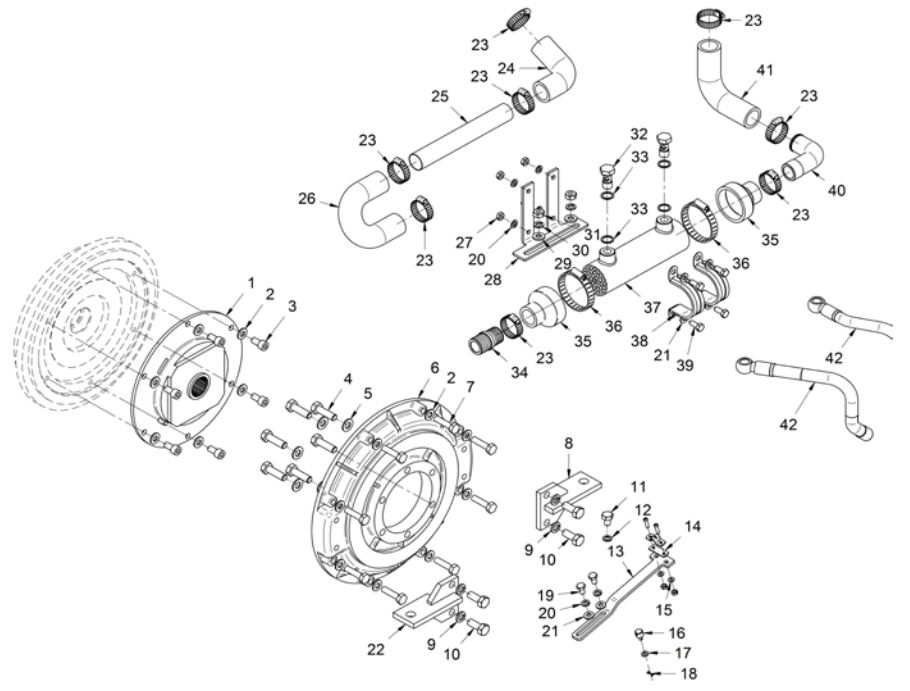


[NS] Not shown

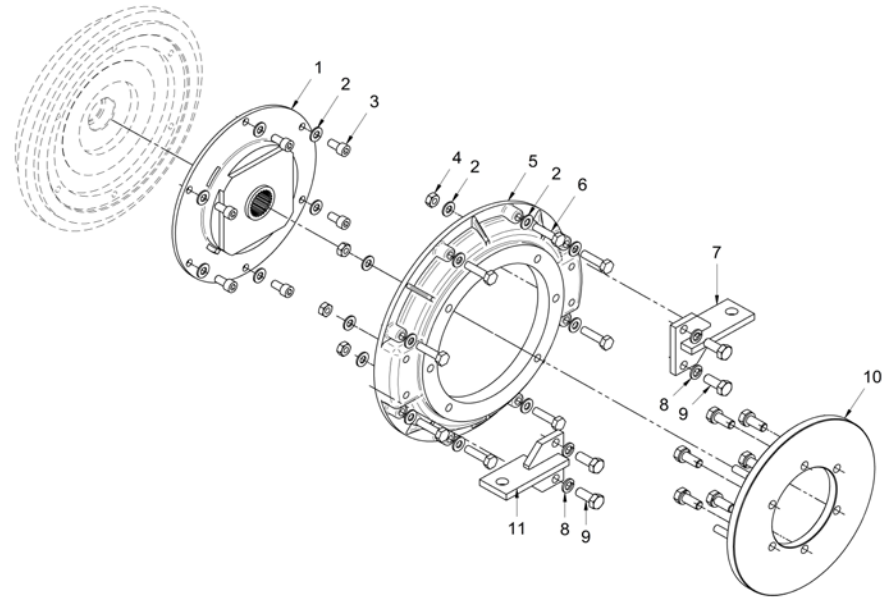




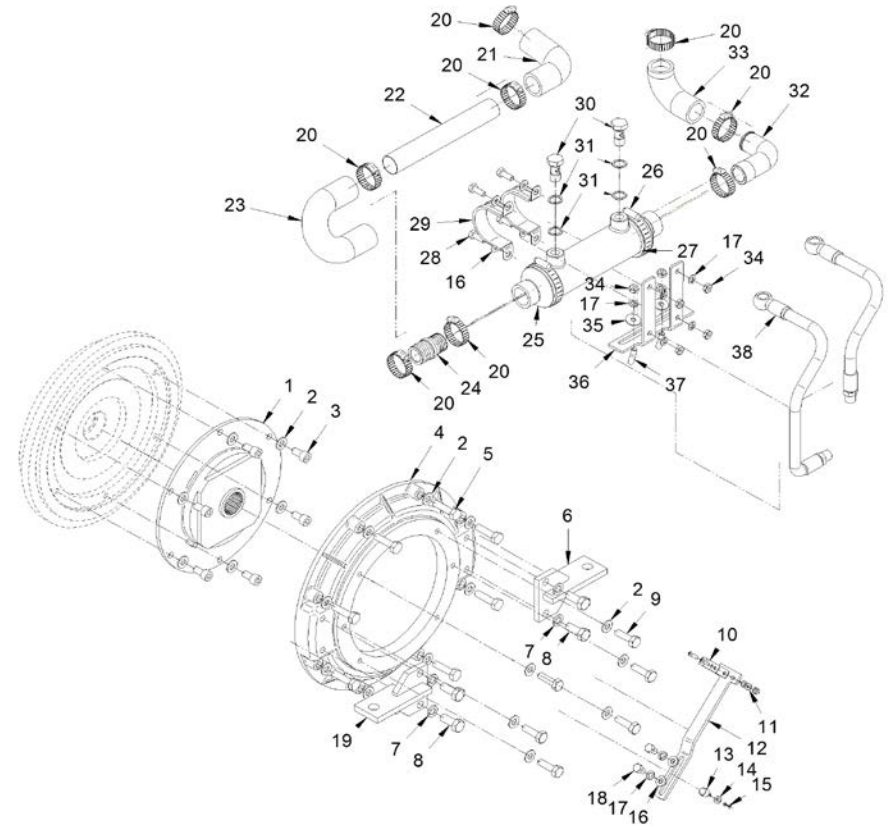
17110200 Kit GearBox TM-93/A						
FIG.	REF.	QTY	DESCR.	FROM	UPTO	
37	15312007	2	Water Cooler Cover			
38	54082050	2	Clamp DIN 3017 50-70/12 W4			
39	14712051	1	Cooler,oil			
40	59072604	2	Clamp	29/03/2014		
41	52102257	4	Bolt DIN 933 M8-20 8.8			
42	17111010	1	Elbow			
43	18211018	1	Rubber			
NS	17112024	2	Pipe, rev.oil Cooler [NS]			



17110205		Kit GearBox TM-170A (Without Oil Cooler)			
FIG.	REF.	QTY	DESCR.	FROM	UPTO
1	17110071	1	Flexible Coupling Type B SAE 8"		
2	53038010	20	Washer DIN 6798-A 10		
3	53203307	6	Bolt DIN 912 M10x1,25-20 12.9		
4	52120010	6	Nut DIN 934 M10 8.8		
5	17110026	1	Adaptor SAE 7 RD		
6	52202311	8	Bolt DIN 933 M10-1,25-40 8.8		
7	17110008	1	Left Rear Bracket		
8	53033012	4	Washer GROWER DIN 127-12		
9	52102359	4	Bolt DIN 933 M12-30 8.8		
10	24870021	1	BW Housing TM-93/170/485/545		
11	17110009	1	Right Rear Bracket		

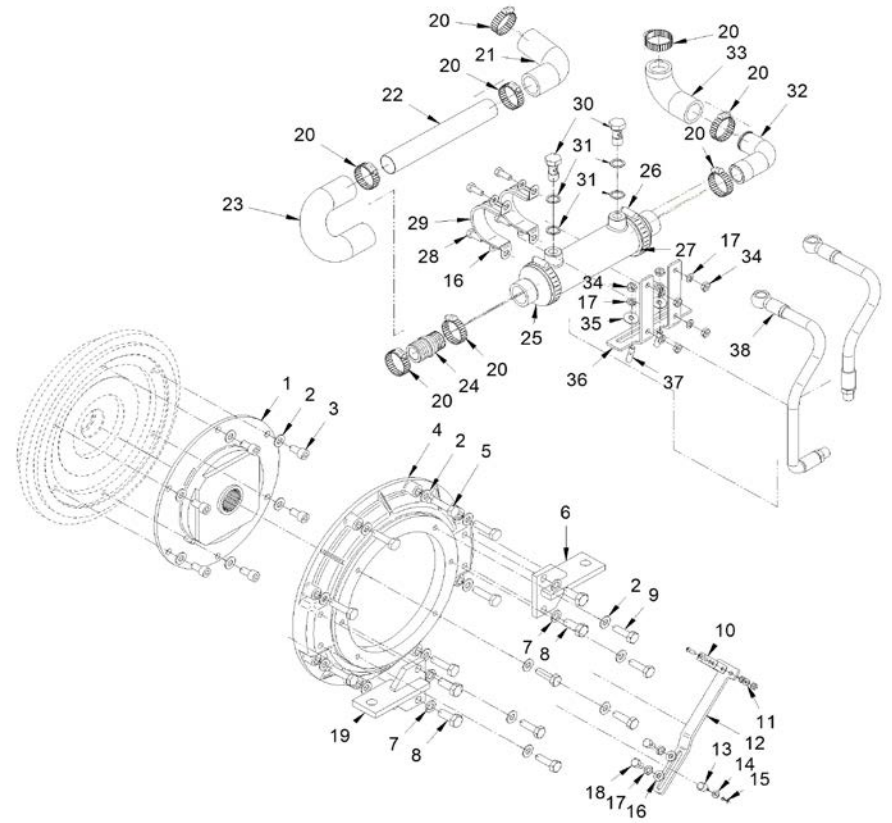


17110210		Kit GearBox TM-345/A			
FIG.	REF.	QTY	DESCR.	FROM	UPTO
1	17110071	1	Flexible Coupling Type B SAE 8"		
2	53038010	19	Washer DIN 6798-A 10		
3	53203307	6	Bolt DIN 912 M10x1,25-20 12.9		
4	17010018.1	1	Adaptor SAE 7 RD	17/11/1999	
5	52202311	8	Bolt DIN 933 M10-1,25-40 8.8		
6	17110008	1	Left Rear Bracket		
7	53033012	4	Washer GROWER DIN 127-12		
8	52102359	4	Bolt DIN 933 M12-30 8.8		
9	52102307	5	Bolt DIN 933 M10-20 8.8		
10	24810913	1	Clamp,CABLE		
11	51030005	2	Washer DIN 125-5		
12	18619020	1	Bracket,Gear box control	02/10/2004	
13	ALLPA.93	1	Coupling,cable	23/05/2017	
13	14719115	1	Coupling,cable		23/05/2017
14	51030006	4	Washer DIN 125-6		
15	51051107	1	Pin DIN-94 1,6-16		
16	51030008	6	Washer DIN 125-8		
17	53033008	8	Washer GROWER DIN 127-8		
18	52102256	2	Bolt DIN 933 M8-15 8.8		
19	17110009	1	Right Rear Bracket		
20	54082025	6	Clamp DIN 3017 25-40/12 W4		
21	17111037	1	Pipe		
22	17111026	1	Pipe		
23	17111036	1	Pipe		
24	18011026	1	Pipe		
25	15312007	2	Water Cooler Cover		
26	54082050	2	Clamp DIN 3017 50-70/12 W4		
27	14712051	1	Cooler,oil		
28	52102257	4	Bolt DIN 933 M8-20 8.8		
29	59072604	2	Clamp	29/03/2014	
30	14712015	2	Bolt,Coupling pipe oil		
31	57000375	4	Washer 17-22-1,5		
32	17111010	1	Elbow		
33	18211018	1	Rubber		
34	52120008	6	Nut DIN 934 M8 8.8		



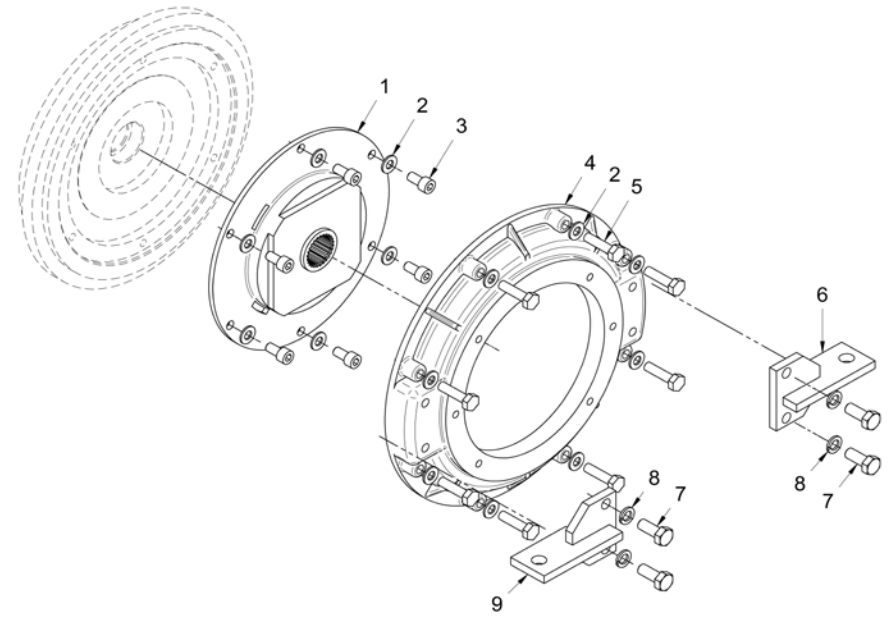


17110210 Kit GearBox TM-345/A						
FIG.	REF.	QTY	DESCR.	FROM	UPTO	
35	51031008	2	Washer DIN 9021 8			
36	18012041	1	Bracket,TM93/170 oil cooler			
37	12120018	2	Stud			
38	17012024	2	Pipe			





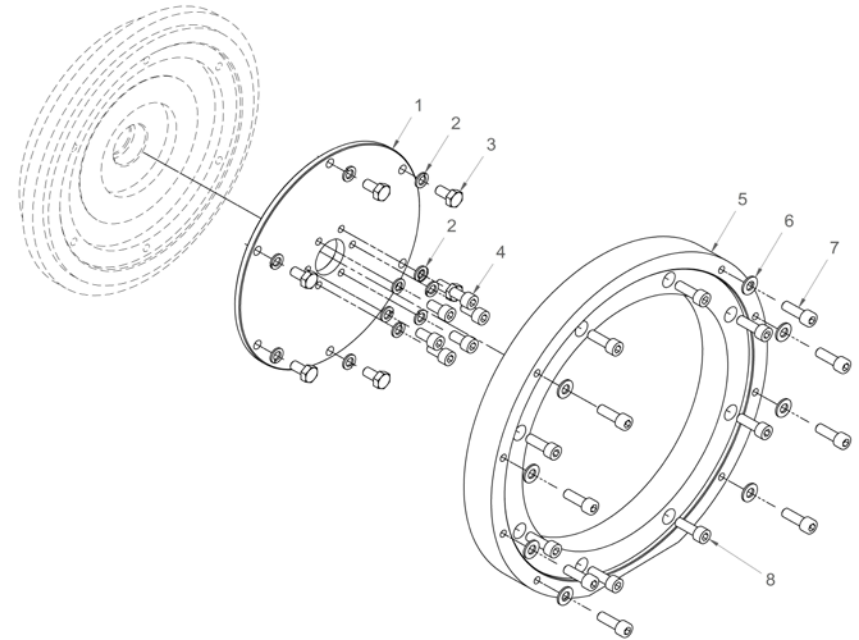
17110211		Kit Gearbox Hidraulic SAE 7			
FIG.	REF.	QTY	DESCR.	FROM	UPTO
1	17110071	1	Flexible Coupling Type B SAE 8"		
2	53038010	19	Washer DIN 6798-A 10		
3	53203307	6	Bolt DIN 912 M10x1,25-20 12.9		
4	17010018.1	1	Adaptor SAE 7 RD	17/11/1999	
5	52202311	8	Bolt DIN 933 M10-1,25-40 8.8		
6	17110008	1	Left Rear Bracket		
7	52102359	4	Bolt DIN 933 M12-30 8.8		
8	53033012	4	Washer GROWER DIN 127-12		
9	17110009	1	Right Rear Bracket		
NS	17111010	1	Elbow [NS]		
NS	17111026	1	Pipe [NS]		
NS	17111036	1	Pipe [NS]		
NS	17111037	1	Pipe [NS]		
NS	18011026	1	Pipe [NS]		
NS	18211018	1	Rubber [NS]		
NS	51030005	2	Washer DIN 125-5 [NS]		
NS	51030006	1	Washer DIN 125-6 [NS]		
NS	51030008	6	Washer DIN 125-8 [NS]		
NS	51031008	2	Washer DIN 9021 8 [NS]		
NS	51051107	1	Pin DIN-94 1,6-16 [NS]		
NS	52102256	2	Bolt DIN 933 M8-15 8.8 [NS]		
NS	52102257	4	Bolt DIN 933 M8-20 8.8 [NS]		
NS	52102308	5	Bolt DIN 933 M10-25 8.8 [NS]		
NS	52120008	6	Nut DIN 934 M8 8.8 [NS]		
NS	53033008	8	Washer GROWER DIN 127-8 [NS]		
NS	54082025	8	Clamp DIN 3017 25-40/12 W4 [NS]		
NS	54082050	2	Clamp DIN 3017 50-70/12 W4 [NS]		



[NS] Not shown



17110215		Kit Jet Castoldi 05				
FIG.	REF.	QTY	DESCR.	FROM	UPTO	
1	17110017	1	Damper, Plate			
2	53033010	12	Washer GROWER DIN 127-10			
3	53203307	6	Bolt DIN 912 M10x1,25-20 12.9			
4	52102307	6	Bolt DIN 933 M10-20 8.8			
5	17110016	1	Adaptor JET			
6	53038010	8	Washer DIN 6798-A 10			
7	52103309	8	Bolt DIN 912 M10-30 8.8			
8	52203309	8	Bolt DIN 912 M10-1,25-30 12.9			
NS	54082025	2	Clamp DIN 3017 25-40/12 W4 [NS]			

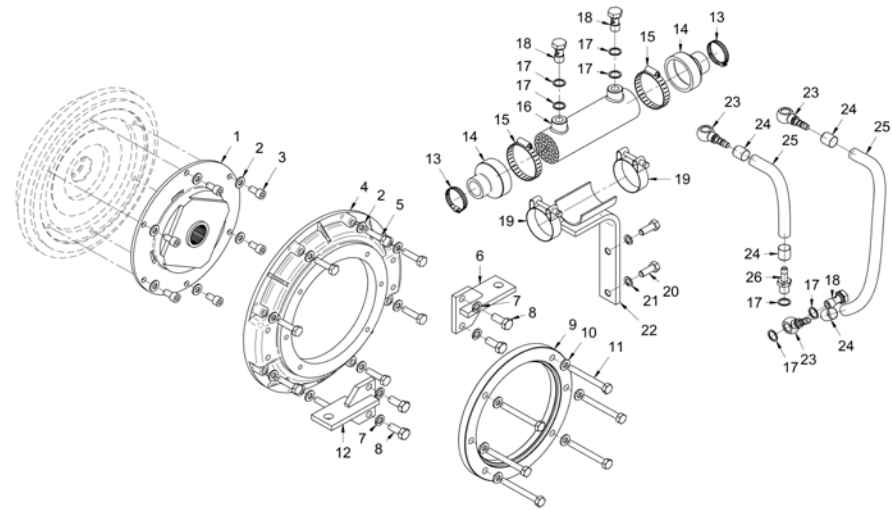


[NS] Not shown





17110220		Kit GearBox BORG WARNER			
FIG.	REF.	QTY	DESCR.	FROM	UPTO
1	17110071	1	Flexible Coupling Type B SAE 8"		
2	53038010	14	Washer DIN 6798-A 10		
3	53203307	6	Bolt DIN 912 M10x1,25-20 12.9		
4	17010018.1	1	Adaptor SAE 7 RD		
5	52202311	8	Bolt DIN 933 M10-1,25-40 8.8		
6	17110008	1	Left Rear Bracket		
7	53033012	4	Washer GROWER DIN 127-12		
8	52102359	4	Bolt DIN 933 M12-30 8.8		
9	17110013	1	Spacer		
10	51030010	6	Washer DIN 125-10		
11	52101318	6	Bolt DIN 931 M10-75 8.8		
12	17110009	1	Right Rear Bracket		
13	54082025	10	Clamp DIN 3017 25-40/12 W4		
14	15312007	2	Water Cooler Cover		
15	54082050	2	Clamp DIN 3017 50-70/12 W4		
16	14712051	1	Cooler,oil		
17	57000375	6	Washer 17-22-1,5		
18	14712015	3	Bolt,Coupling pipe oil		
19	51083060	2	Clamp "P" 59-63		
20	52302309	2	Bolt DIN 933 W7/16-30 8.8		
21	53033010	6	Washer GROWER DIN 127-10		
22	17112019	1	Bracket,Cooler Oil		
23	14712035	3	Collar, Union		
24	14712031	4	Retainer		
25	M84501019	0	LOW Pressure Hose D. 10-19 [VAR]	23/10/2008	
26	14712032	1	Coupling,ball pipe oil		
NS	13211057	2	Rubber [NS]		
NS	14912043	2	Coupling,screw pipe Gear box [NS]		
NS	15211027	2	Elbow,engine water exhaust [NS]		
NS	15212022	2	Elbow [NS]	15/02/2017	
NS	15312009	2	Elbow [NS]		14/02/2017
NS	17111026	1	Pipe [NS]		

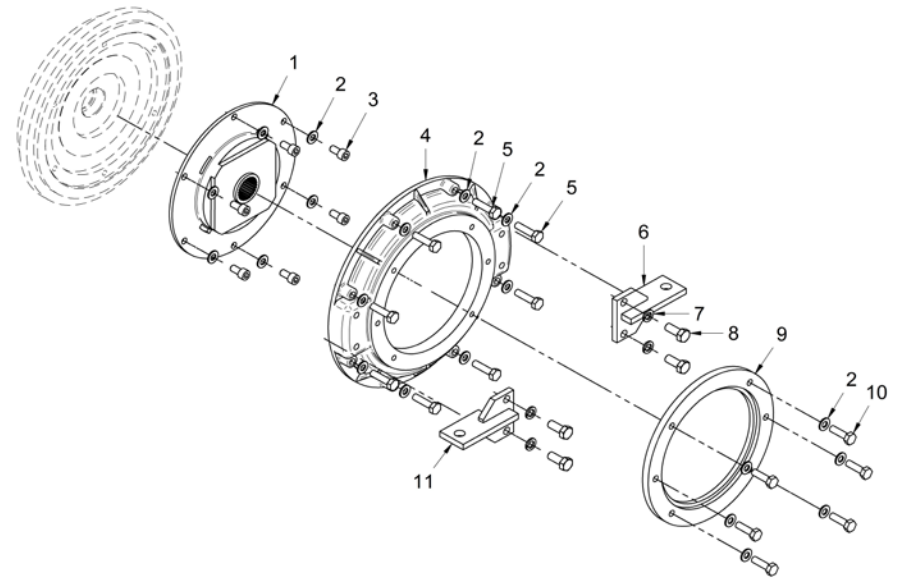


[NS] Not shown

[VAR] Variable according to repair



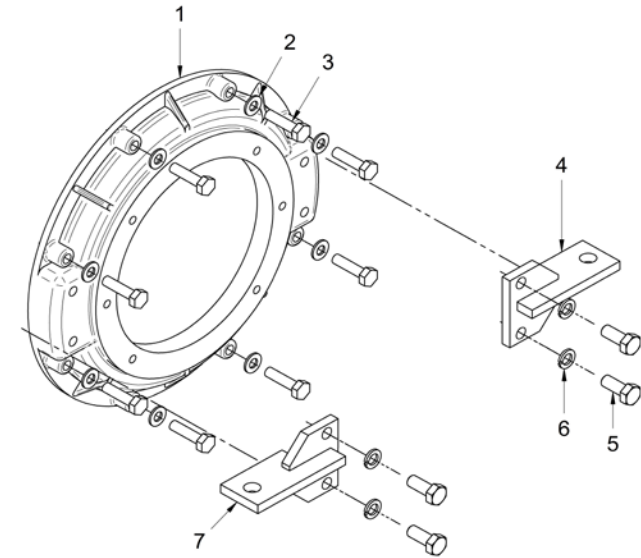
17110221		Kit GearBox ZF-25MA/M - HBW250			
FIG.	REF.	QTY	DESCR.	FROM	UPTO
1	17110071	1	Flexible Coupling Type B SAE 8"		
2	53038010	20	Washer DIN 6798-A 10		
3	53203307	6	Bolt DIN 912 M10x1,25-20 12.9		
4	17010018.1	1	Adaptor SAE 7 RD		
5	52202311	8	Bolt DIN 933 M10-1,25-40 8.8		
6	17110008	1	Left Rear Bracket		
7	53033012	4	Washer GROWER DIN 127-12		
8	52102359	4	Bolt DIN 933 M12-30 8.8		
9	18210024	1	Adaptor Flange		
10	52101310	6	Bolt DIN 931 M10-35 8.8		
11	17110009	1	Right Rear Bracket		
NS	M87503242	1	Water Intake Hose (HQ) D. 32-42 [NS]		
NS	54082025	4	Clamp DIN 3017 25-40/12 W4 [NS]		



[NS] Not shown



17110222		Kit Adaptor SAE 7 (Without Disk)			
FIG.	REF.	QTY	DESCR.	FROM	UPTO
1	17010018.1	1	Adaptor SAE 7 RD		
2	53038010	8	Washer DIN 6798-A 10		
3	52202311	8	Bolt DIN 933 M10-1,25-40 8.8		
4	17110008	1	Left Rear Bracket		
5	52102359	4	Bolt DIN 933 M12-30 8.8		
6	53033012	4	Washer GROWER DIN 127-12		
7	17110009	1	Right Rear Bracket		
NS	54082025	2	Clamp DIN 3017 25-40/12 W4 [NS]		

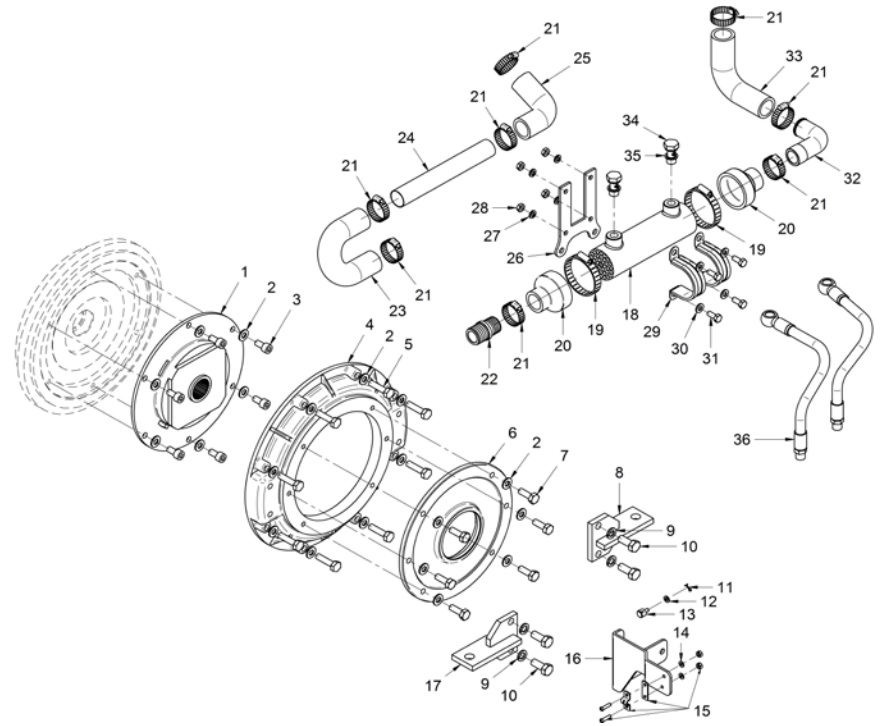


[NS] Not shown



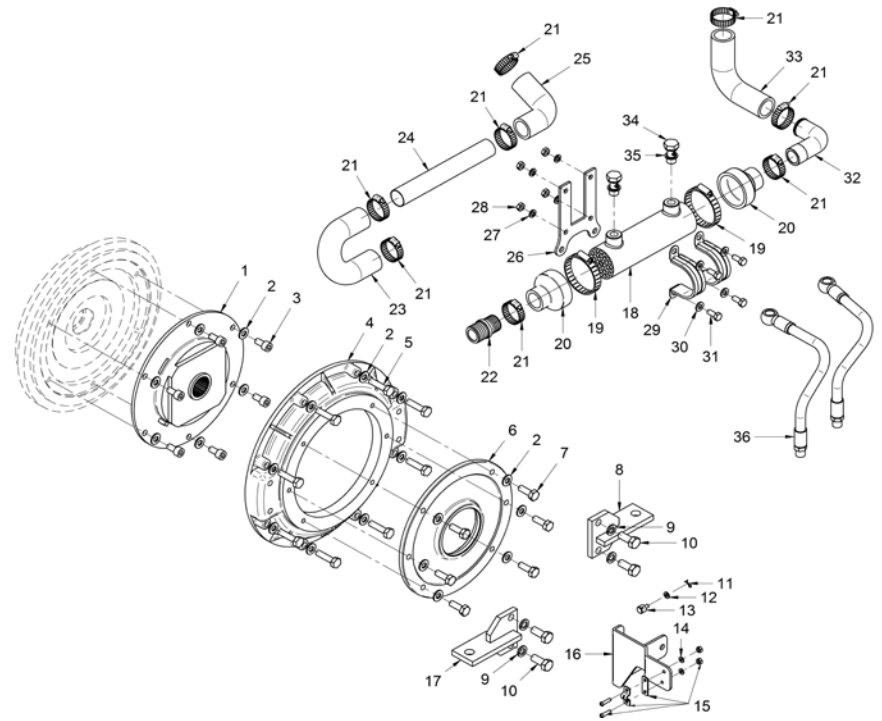


17110223		Kit Gearbox ZF-25, Hidraulic			
FIG.	REF.	QTY	DESCR.	FROM	UPTO
1	17110071	1	Flexible Coupling Type B SAE 8"		
2	53038010	20	Washer DIN 6798-A 10		
3	53203307	6	Bolt DIN 912 M10x1,25-20 12.9		
4	17010018.1	1	Adaptor SAE 7 RD		
5	52202311	8	Bolt DIN 933 M10-1,25-40 8.8		
6	24601021	1	BW Housing Inv.ZF-25M		
7	52102309	6	Bolt DIN 933 M10-30 8.8		
8	17110009	1	Right Rear Bracket		
9	53033012	4	Washer GROWER DIN 127-12		
10	52102359	4	Bolt DIN 933 M12-30 8.8		
11	51051107	1	Pin DIN-94 1,6-16		
12	51030006	4	Washer DIN 125-6		
13	ALLPA.93	1	Coupling,cable	23/05/2017	
13	14719115	1	Coupling,cable		23/05/2017
14	51030005	2	Washer DIN 125-5		
15	24810913	1	Clamp,CABLE		
16	24601910	1	Bracket, GearBox Control		
17	17110008	1	Left Rear Bracket		
18	14712051	1	Cooler,oil		
19	54082050	2	Clamp DIN 3017 50-70/12 W4		
20	15312007	2	Water Cooler Cover		
21	54082025	8	Clamp DIN 3017 25-40/12 W4		
22	18011026	1	Pipe		
23	17111036	1	Pipe		
24	17111026	1	Pipe		
25	17111037	1	Pipe		
26	17112041	1	Bracket, ZF-25 Oil Cooler		
27	53033008	4	Washer GROWER DIN 127-8		
28	52120008	4	Nut DIN 934 M8 8.8		
29	59072604	2	Clamp		
30	51030008	4	Washer DIN 125-8		
31	52102257	4	Bolt DIN 933 M8-20 8.8		
32	17111010	1	Elbow		
33	13211057	1	Rubber		
34	14712015	2	Bolt,Coupling pipe oil		

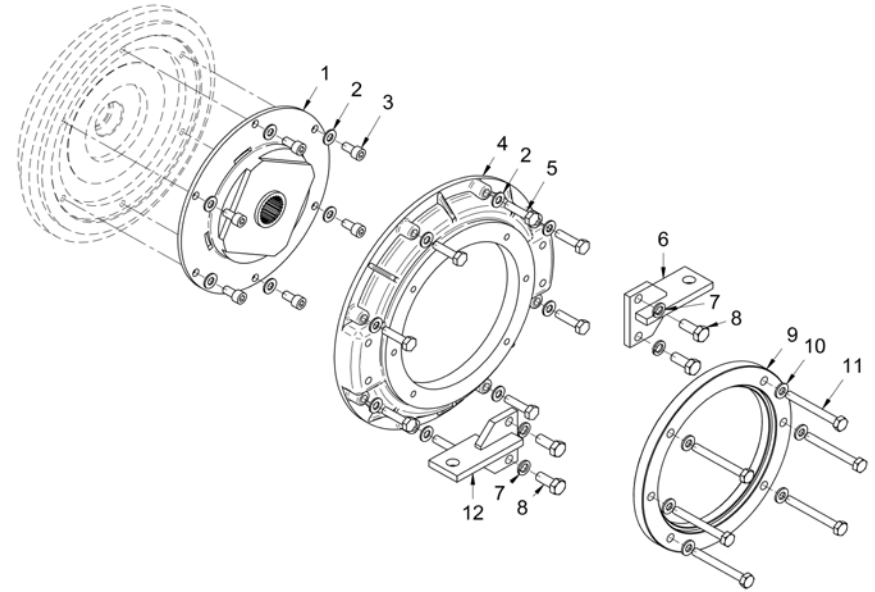




17110223 Kit Gearbox ZF-25, Hidraulic						
FIG.	REF.	QTY	DESCR.	FROM	UPTO	
35	57000375	4	Washer 17-22-1,5			
36	18512024	2	Pipe			



17110224		Kit GearBox BW (Without Oil Cooler)			
FIG.	REF.	QTY	DESCR.	FROM	UPTO
1	17110071	1	Flexible Coupling Type B SAE 8"		
2	53038010	14	Washer DIN 6798-A 10		
3	53203307	6	Bolt DIN 912 M10x1,25-20 12.9		
4	17010018.1	1	Adaptor SAE 7 RD		
5	52202311	8	Bolt DIN 933 M10-1,25-40 8.8		
6	17110008	1	Left Rear Bracket		
7	53033012	4	Washer GROWER DIN 127-12		
8	52102359	4	Bolt DIN 933 M12-30 8.8		
9	17110013	1	Spacer		
10	51030010	6	Washer DIN 125-10		
11	52101318	6	Bolt DIN 931 M10-75 8.8		
12	17110009	1	Right Rear Bracket		
NS	53033010	6	Washer GROWER DIN 127-10 [NS]		

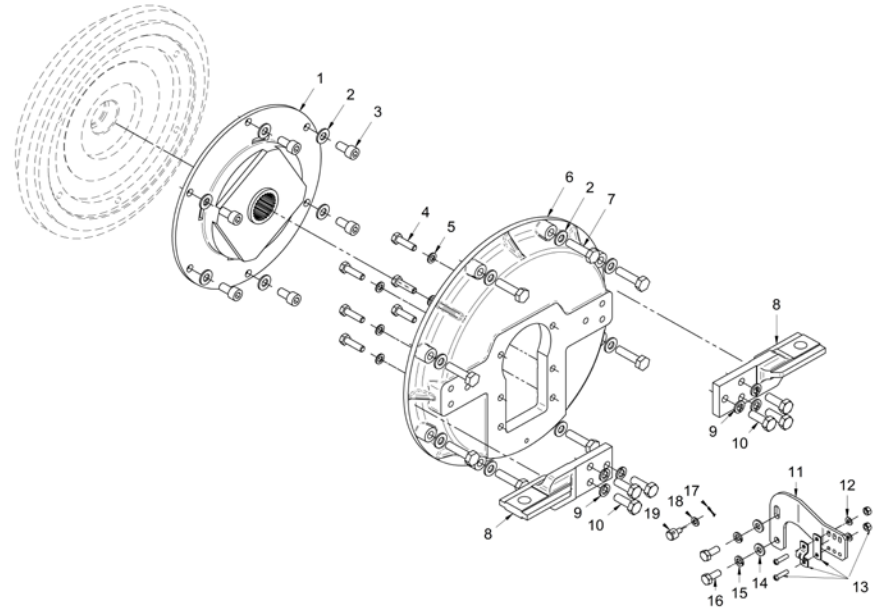


[NS] Not shown





17110225		Kit GearBox TMC-260			
FIG.	REF.	QTY	DESCR.	FROM	UPTO
1	17110071	1	Flexible Coupling Type B SAE 8"		
2	53038010	14	Washer DIN 6798-A 10		
3	53203307	6	Bolt DIN 912 M10x1,25-20 12.9		
4	52102259	6	Bolt DIN 933 M8-30 8.8		
5	53038008	6	Washer DIN 6798-A 8		
6	17010014	1	HURTH,block rever.connection		
7	52202311	8	Bolt DIN 933 M10-1,25-40 8.8		
8	17110003	2	Bracket,rear		
9	53033010	6	Washer GROWER DIN 127-10		
10	52102309	6	Bolt DIN 933 M10-30 8.8		
11	24880901	1	Bracket, GearBox Control		
12	51030005	2	Washer DIN 125-5		
13	24810913	1	Clamp,CABLE		
14	51030008	2	Washer DIN 125-8	19/11/2013	
15	53033008	2	Washer GROWER DIN 127-8	19/11/2013	
16	52102257	2	Bolt DIN 933 M8-20 8.8	10/07/2010	
17	51051107	1	Pin DIN-94 1,6-16		
18	51030006	4	Washer DIN 125-6		
19	ALLPA.93	1	Coupling,cable	23/05/2017	
19	14719115	1	Coupling,cable		23/05/2017
NS	24890026	2	Cover [NS]	14/12/2016	

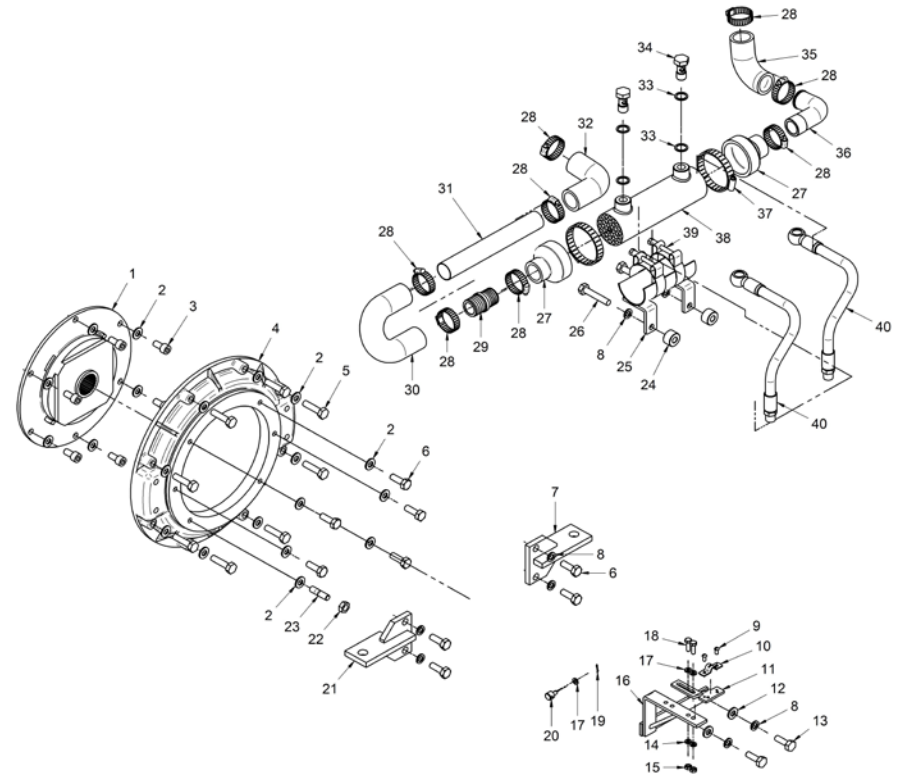


[NS] Not shown





17110226		Kit Gearbox ZF-63 IV Hidraulic			
FIG.	REF.	QTY	DESCR.	FROM	UPTO
1	17110071	1	Flexible Coupling Type B SAE 8"		
2	53038010	20	Washer DIN 6798-A 10		
3	53203307	6	Bolt DIN 912 M10x1,25-20 12.9		
4	17010018.1	1	Adaptor SAE 7 RD		
5	52202311	8	Bolt DIN 933 M10-1,25-40 8.8		
6	52102309	9	Bolt DIN 933 M10-30 8.8		
7	17110008	1	Left Rear Bracket		
8	53033010	8	Washer GROWER DIN 127-10		
9	55307104	2	Bolt DIN 86 W3/16-10		
10	14719013	1	Clamp,cable		
11	12119021	1	SUPPORT Clamp		
12	51030010	2	Washer DIN 125-10		
13	52302258	2	Bolt DIN 933 W3/8-25 8.8		
14	53033006	2	Washer GROWER DIN 127-6		
15	52120006	2	Nut DIN 934 M6 8.8		
16	16519020	1	Bracket, Gear box control		
17	51030006	6	Washer DIN 125-6		
18	52102157	2	Bolt DIN 933 M6-20 8.8		
19	51051107	1	Pin DIN-94 1,6-16		
20	ALLPA.93	1	Coupling,cable	23/05/2017	
20	14719115	1	Coupling,cable		23/05/2017
21	17110009	1	Right Rear Bracket		
22	52320716	1	Nut DIN 934 W 7/16 8.8		
23	16511007	1	Stud		
24	19117011	2	Spacer 10,5X19X15		
25	16512010	1	Bracket,oil cooler		
26	52301312	2	Bolt DIN 931 W7/16-45 8.8		
27	15312007	2	Water Cooler Cover		
28	54082025	8	Clamp DIN 3017 25-40/12 W4		
29	18011026	1	Pipe		
30	17111036	1	Pipe		
31	17111026	1	Pipe		
32	17111037	1	Pipe		
33	57000375	4	Washer 17-22-1,5		
34	14712015	2	Bolt,Coupling pipe oil		

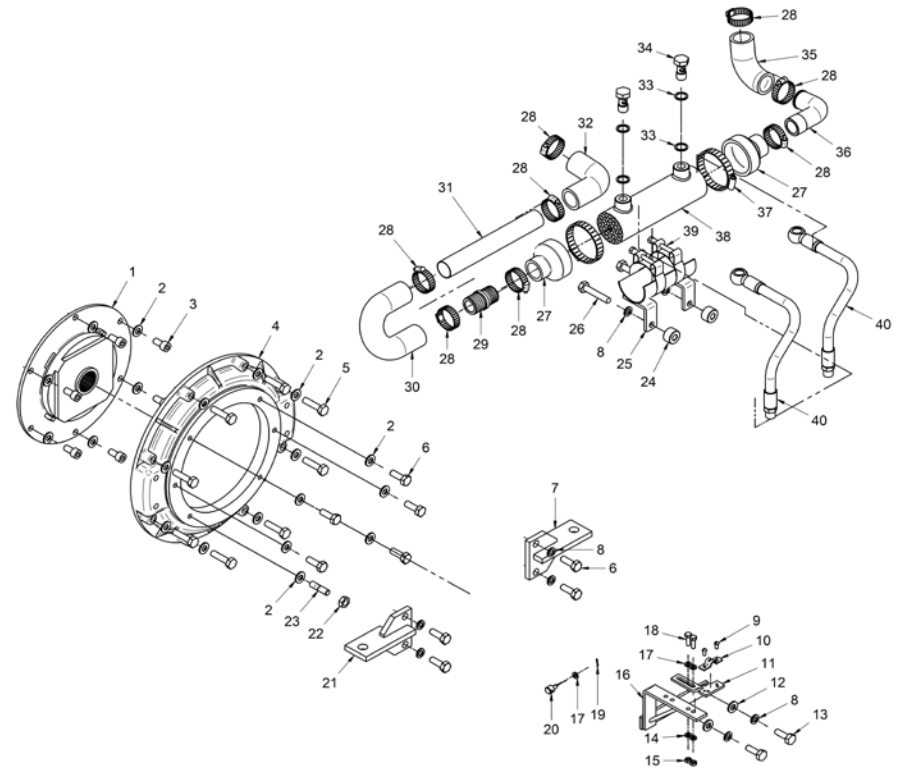


[NS] Not shown



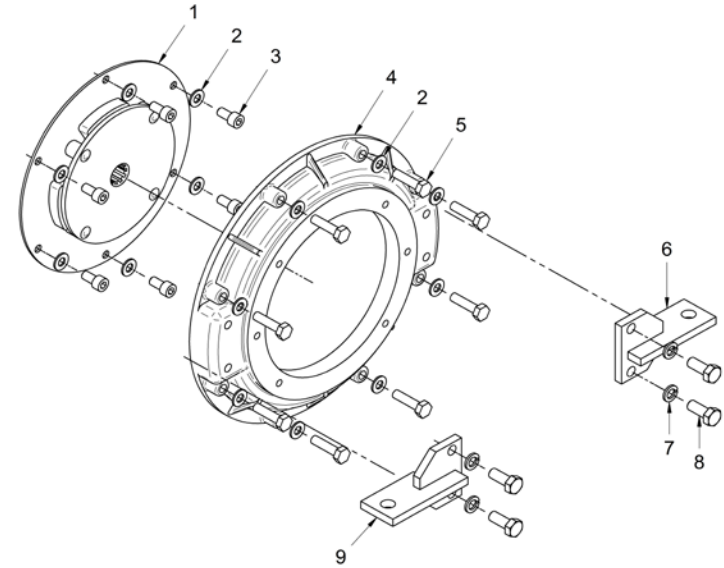


17110226		Kit Gearbox ZF-63 IV Hidraulic				
FIG.	REF.	QTY	DESCR.	FROM	UPTO	
35	18211018	1	Rubber			
36	17111010	1	Elbow			
37	54082050	2	Clamp DIN 3017 50-70/12 W4			
38	14712051	1	Cooler,oil			
39	51083060	2	Clamp "P" 59-63			
40	18512024	2	Pipe			
NS	17510004	1	Stud 7/16Wx44 [NS]			
NS	52102359	4	Bolt DIN 933 M12-30 8.8 [NS]			
NS	53033008	4	Washer GROWER DIN 127-8 [NS]			
NS	53033012	4	Washer GROWER DIN 127-12 [NS]			
NS	59072604	2	Clamp [NS]			
NS	61652000	4	Anti Vibration Mount Type D 55SHA [NS]	30/01/2017		





17110239		Kit GearBox PRM-260D SAE 7			
FIG.	REF.	QTY	DESCR.	FROM	UPTO
1	17110073	1	Flexible Coupling Type E SAE 8" PRM160		
2	53038010	14	Washer DIN 6798-A 10		
3	53203307	6	Bolt DIN 912 M10x1,25-20 12.9		
4	17010018.1	1	Adaptor SAE 7 RD		
5	52202311	8	Bolt DIN 933 M10-1,25-40 8.8		
6	17110008	1	Left Rear Bracket		
7	53033012	4	Washer GROWER DIN 127-12		
8	52102359	4	Bolt DIN 933 M12-30 8.8		
9	17110009	1	Right Rear Bracket		
NS	52101318	6	Bolt DIN 931 M10-75 8.8 [NS]		

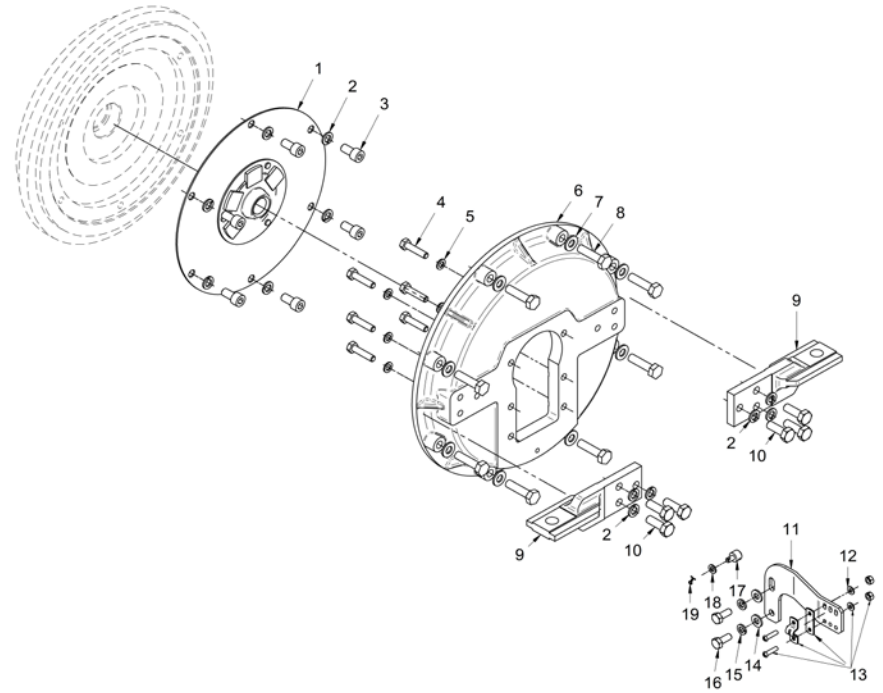


[NS] Not shown



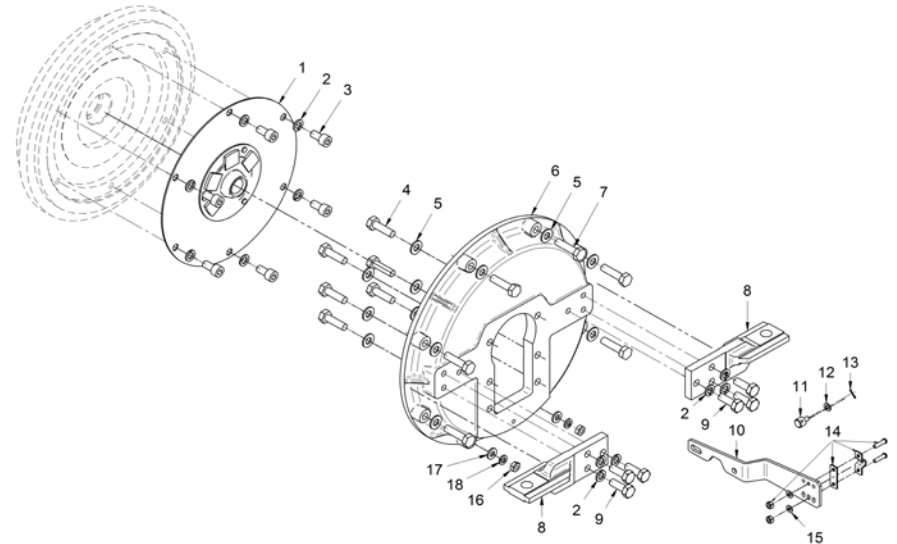


17110245		Kit GearBox TMC-60				
FIG.	REF.	QTY	DESCR.	FROM	UPTO	
1	17110070	1	Flexible Coupling Type A SAE 8"			
2	53033010	12	Washer GROWER DIN 127-10			
3	53203307	6	Bolt DIN 912 M10x1,25-20 12.9			
4	52101260	6	Bolt DIN 931 M8-35 8.8			
5	53038008	6	Washer DIN 6798-A 8			
6	17010014	1	HURTH,block rever.connection			
7	53038010	8	Washer DIN 6798-A 10			
8	52202311	8	Bolt DIN 933 M10-1,25-40 8.8			
9	17110003	2	Bracket,rear			
10	52102309	6	Bolt DIN 933 M10-30 8.8			
11	24880901	1	Bracket, GearBox Control			
12	51030005	2	Washer DIN 125-5			
13	24810913	1	Clamp,CABLE			
14	51030008	2	Washer DIN 125-8	19/11/2013		
15	53033008	2	Washer GROWER DIN 127-8	19/11/2013		
16	52102257	2	Bolt DIN 933 M8-20 8.8	10/07/2010		
17	ALLPA.93	1	Coupling,cable	23/05/2017		
17	14719115	1	Coupling,cable		23/05/2017	
18	51030006	4	Washer DIN 125-6			
19	51051107	1	Pin DIN-94 1,6-16	08/11/2011		





17110250		Kit GearBox HURTH-150V			
FIG.	REF.	QTY	DESCR.	FROM	UPTO
1	17110070	1	Flexible Coupling Type A SAE 8"		
2	53033010	12	Washer GROWER DIN 127-10		
3	53203307	6	Bolt DIN 912 M10x1,25-20 12.9		
4	52101310	6	Bolt DIN 931 M10-35 8.8		
5	53038010	12	Washer DIN 6798-A 10		
6	17010014.1	1	HURTH,Block REV.Connection		
7	52202311	6	Bolt DIN 933 M10-1,25-40 8.8		
8	17110003	2	Bracket,rear		
9	52102309	6	Bolt DIN 933 M10-30 8.8		
10	24610901	1	Bracket, GearBox Control		
11	ALLPA.93	1	Coupling,cable	23/05/2017	
11	14719115	1	Coupling,cable		23/05/2017
12	51030006	4	Washer DIN 125-6		
13	51051107	1	Pin DIN-94 1,6-16		
14	24810913	1	Clamp,CABLE		
15	51030005	2	Washer DIN 125-5		
16	52120008	2	Nut DIN 934 M8 8.8		
17	51030008	2	Washer DIN 125-8		
18	53033008	2	Washer GROWER DIN 127-8		
NS	54082025	2	Clamp DIN 3017 25-40/12 W4 [NS]		

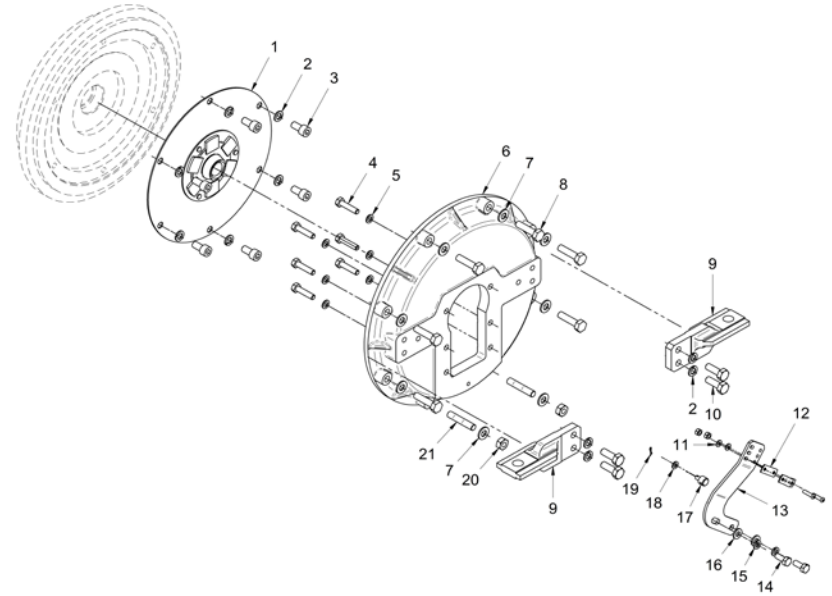


[NS] Not shown





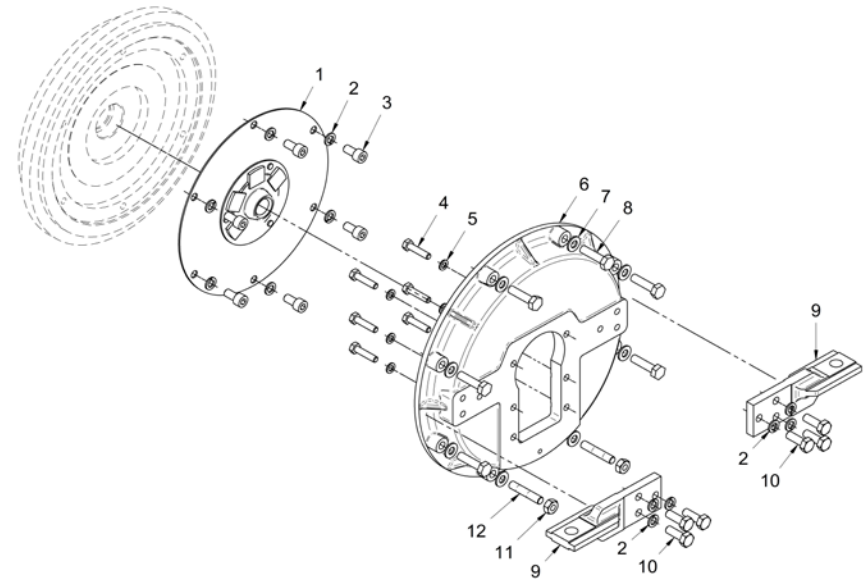
17110260		Kit GearBox PRM-150			
FIG.	REF.	QTY	DESCR.	FROM	UPTO
1	17110070	1	Flexible Coupling Type A SAE 8"		
2	53033010	12	Washer GROWER DIN 127-10		
3	53203307	6	Bolt DIN 912 M10x1,25-20 12.9		
4	52101260	6	Bolt DIN 931 M8-35 8.8		
5	53038008	6	Washer DIN 6798-A 8		
6	17010014	1	HURTH,block rever.connection		
7	53038010	8	Washer DIN 6798-A 10		
8	52202311	6	Bolt DIN 933 M10-1,25-40 8.8		
9	17110024	2	REAR Bracket		
10	52102309	6	Bolt DIN 933 M10-30 8.8		
11	51030005	2	Washer DIN 125-5		
12	24810913	1	Clamp,CABLE		
13	24880901	1	Bracket, GearBox Control		
14	52102257	2	Bolt DIN 933 M8-20 8.8		
15	53033008	2	Washer GROWER DIN 127-8	19/11/2013	
16	51030008	2	Washer DIN 125-8	19/11/2013	
17	ALLPA.93	1	Coupling,cable	23/05/2017	
17	14719115	1	Coupling,cable		23/05/2017
18	51030006	4	Washer DIN 125-6		
19	51051107	1	Pin DIN-94 1,6-16	08/11/2011	
20	52120010	2	Nut DIN 934 M10 8.8		
21	17010007	2	Stud		
NS	M87503242	1	Water Intake Hose (HQ) D. 32-42 [NS]		
NS	24270041	1	PRM150,Oil Cooler CompletE [NS]		
NS	54082025	2	Clamp DIN 3017 25-40/12 W4 [NS]		
NS	58088281	3	Pastic Cable Zip Tie [NS]		



[NS] Not shown

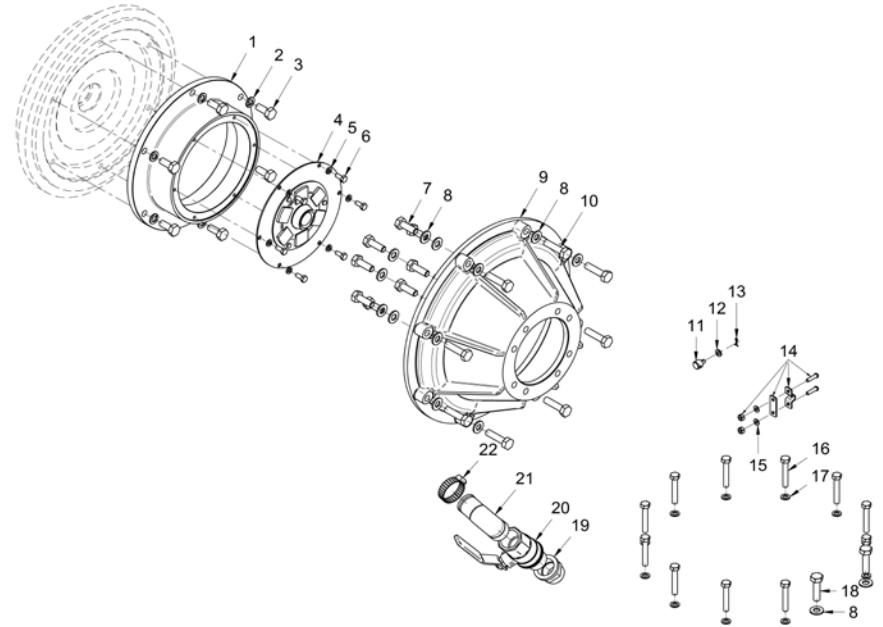


17132100		Kit GearBox TMC-60/ZF/PRM			
FIG.	REF.	QTY	DESCR.	FROM	UPTO
1	17110070	1	Flexible Coupling Type A SAE 8"		
2	53033010	12	Washer GROWER DIN 127-10		
3	53203307	6	Bolt DIN 912 M10x1,25-20 12.9		
4	52101260	6	Bolt DIN 931 M8-35 8.8		
5	53038008	6	Washer DIN 6798-A 8		
6	17010014	1	HURTH,block rever.connection		
7	53038010	8	Washer DIN 6798-A 10		
8	52202311	6	Bolt DIN 933 M10-1,25-40 8.8		
9	17110003	2	Bracket,rear		
10	52102309	6	Bolt DIN 933 M10-30 8.8		
11	52120010	2	Nut DIN 934 M10 8.8		
12	17010007	2	Stud		





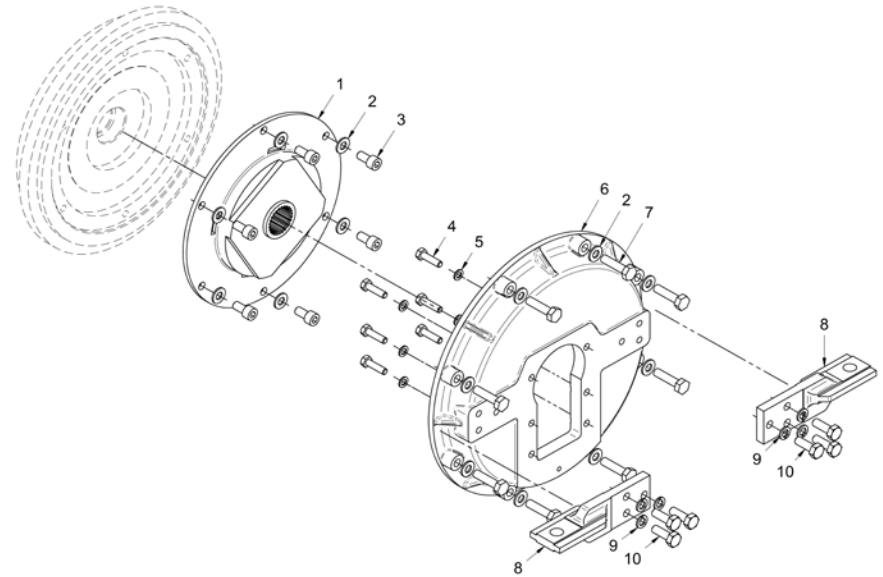
17132100T		Kit S-Drive TECHNO.SP60			
FIG.	REF.	QTY	DESCR.	FROM	UPTO
1	17110023	1	Suplement,Flywheel		
2	53033010	6	Washer GROWER DIN 127-10		
3	52202308	6	Bolt DIN 933 M10-1,25-25 8.8		
4	14710070	1	Flexible Coupling Type A D. 185		
5	53033006	6	Washer GROWER DIN 127-6		
6	52102156	6	Bolt DIN 933 M6-16 8.8		
7	52102309	8	Bolt DIN 933 M10-30 8.8		
8	53038010	18	Washer DIN 6798-A 10		
9	17110022	1	Adaptor Flange		
10	52202311	8	Bolt DIN 933 M10-1,25-40 8.8		
11	ALLPA.93	1	Coupling,cable	23/05/2017	
11	14719115	1	Coupling,cable		23/05/2017
12	51030006	4	Washer DIN 125-6		
13	51051107	1	Pin DIN-94 1,6-16	08/11/2011	
14	24810913	1	Clamp,CABLE		
15	51030005	2	Washer DIN 125-5		
16	52101263	12	Bolt DIN 931 M8-50 8.8		
17	53038008	12	Washer DIN 6798-A 8		
18	52101311	2	Bolt DIN 931 M10-40 8.8		
19	17111006	1	Racord 1" M-H		
20	17111005	1	Water Trainer 1" M-H		
21	17511012	2	Elbow		
22	54082025	2	Clamp DIN 3017 25-40/12 W4		
NS	M87503040	1	Water Intake Hose (HQ) D. 30-38 [NS]		
NS	58088280	2	Pastic Cable Zip Tie [NS]		



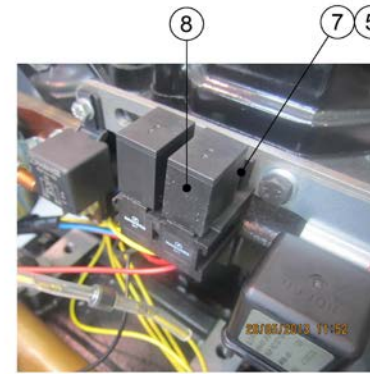
[NS] Not shown



17132101		Kit GearBox TMC-260				
FIG.	REF.	QTY	DESCR.	FROM	UPTO	
1	17110071	1	Flexible Coupling Type B SAE 8"			
2	53038010	8	Washer DIN 6798-A 10			
3	53203307	6	Bolt DIN 912 M10x1,25-20 12.9			
4	52101260	6	Bolt DIN 931 M8-35 8.8			
5	53038008	6	Washer DIN 6798-A 8			
6	17010014	1	HURTH,block rever.connection			
7	52202311	6	Bolt DIN 933 M10-1,25-40 8.8			
8	17110003	2	Bracket,rear			
9	53033010	6	Washer GROWER DIN 127-10			
10	52102309	6	Bolt DIN 933 M10-30 8.8			



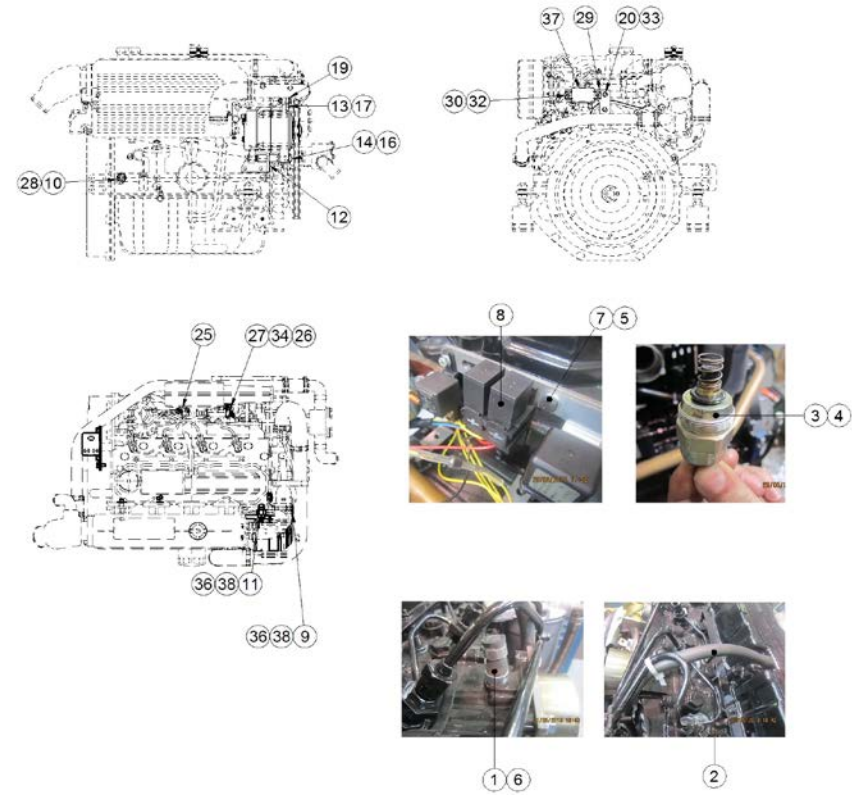
17114060		Kit SOLAS 12V With Capsizing Sensor			
FIG.	REF.	QTY	DESCR.	FROM	UPTO
1	17221007	1	Breather, Pipe		
2	17221008	1	Breather, Pipe		
3	18525200	1	Stop SOLENOID (ETS)12V		
4	18525202	1	Spring Valve Pump		
5	51030005	2	Washer DIN 125-5		
6	51086015	1	One Ear Clamp With Interior Ring		
7	52102104	2	Bolt DIN 933 M5-10 8.8		
8	60900091	1	MICRO Relay 12V 12-20		
NS	60900153	1	Wire [NS]		
NS	60971200R.1V	1	MINI-62 Electrical Wiring SOLAS [NS]		13/04/2016
NS	60971202	1	Wiring Electrical SOLAS MINI-62 SVT [NS]	13/04/2016	
NS	60972203V	1	SOLAS Spill Detector Electrical Wiring [NS]		



[NS] Not shown



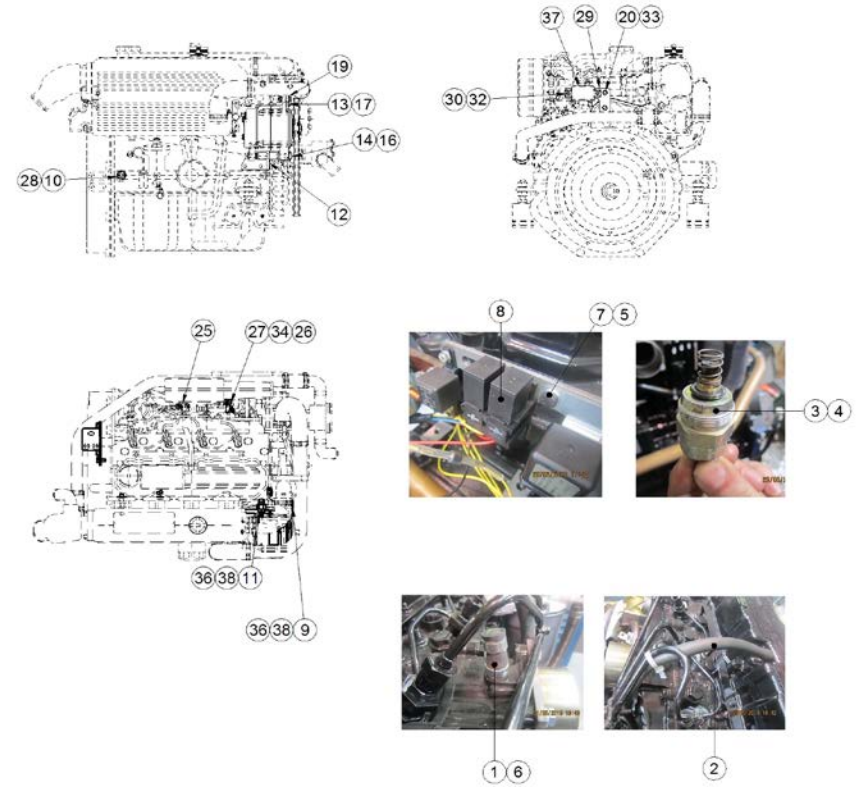
17114060B		Kit Earth Isolated SOLAS			
FIG.	REF.	QTY	DESCR.	FROM	UPTO
1	17221007	1	Breather, Pipe		
2	17221008	1	Breather, Pipe		
3	18525200	1	Stop SOLENOID (ETS)12V		
4	18525202	1	Spring Valve Pump		
5	51030005	2	Washer DIN 125-5		
6	51086015	1	One Ear Clamp With Interior Ring		
7	52102104	2	Bolt DIN 933 M5-10 8.8		
8	60900091	1	MICRO Relay 12V 12-20		
9	60900972	1	High Coolant, 2 Poles		
10	60900978	1	Switch, Oil Press		
11	60900982	1	Temperature SENDER		
12	17127002.6B	1	Bracket Alternator		
13	17127007.3	1	BRACE Generator		
14	17117011	2	Bracket Bakelite Bushing		
16	17417025	1	Spacer 13.5x10.2x11		
17	17117012	2	Tensor Bakelite Bushing		
19	51031008	3	Washer DIN 9021 8		
20	53033008	2	Washer GROWER DIN 127-8		
25	13019001	2	Clamp		
26	14419023	1	Ball JOINT		
27	15119015	1	CABLE Holder Ball		
28	17117052	1	Oil Pressure Sensor Adaptor	29/09/2015	
29	17117107	1	Suport Relais		05/06/2016
29	17117113	1	Bracket	06/06/2016	
30	51030006	2	Washer DIN 125-6		
32	52102154	2	Bolt DIN 933 M6-10 8.8	26/11/2005	
33	52102257	2	Bolt DIN 933 M8-20 8.8		
34	52120006	1	Nut DIN 934 M6 8.8		
35	56000069	1	Washer 14-20-1,5		
36	56000073	3	Copper Washer 16-23-1,5		
37	19017104	1	Relay 12 V. Bipolar		05/06/2016
37	19017113	1	Relay 12 V, Earth Isolated	06/06/2016	
38	60900999	2	Connection M14X1,5 5/8" EXA.22 L=22		
NS	58088284	5	Pastic Cable Zip Tie [NS]	05/06/2014	
NS	60900069	1	Wiring MASS RELE ALT. PREST. TER. D. 6 [NS]		



[NS] Not shown

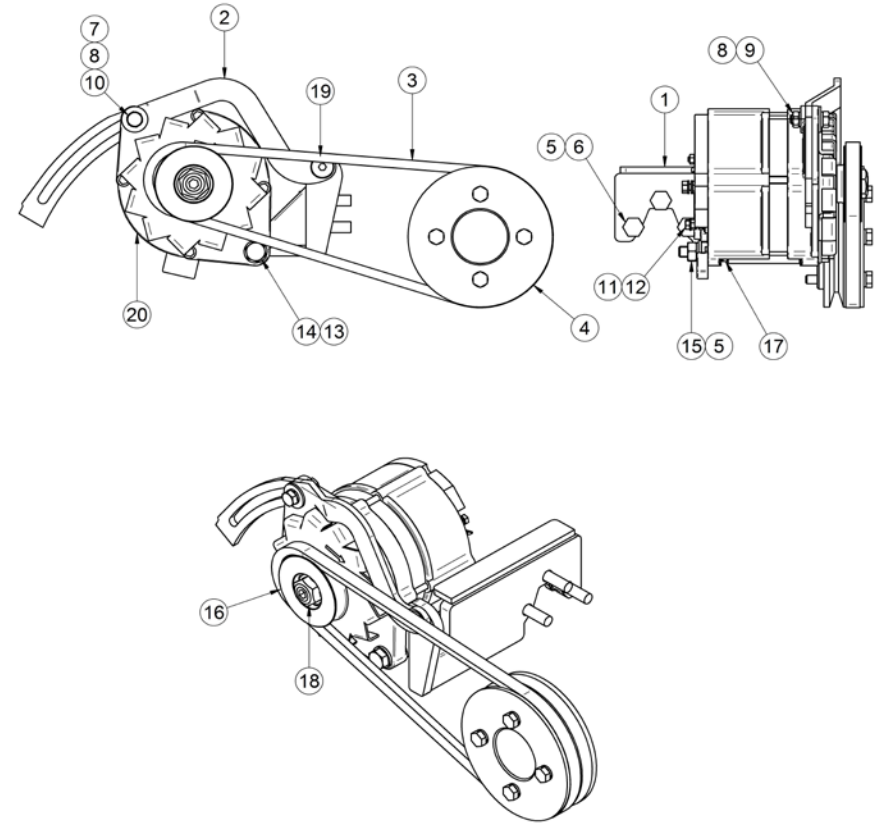


17114060B		Kit Earth Isolated SOLAS			
FIG.	REF.	QTY	DESCR.	FROM	UPTO
NS	60900157	1	Wire [NS]	05/04/2017	
NS	60971202R.2V	1	MINI-62 E. Wiring EARTH ISOLATED SOLAS [NS]		13/04/2016
NS	60971203	1	Wir. Elect. SOLAS Isolated MINI-62 SVT [NS]	13/04/2016	
NS	60972048	1	MASS BLACK TO Wiring START [NS]		
NS	60972203V	1	SOLAS Spill Detector Electrical Wiring [NS]		
NS	60975048	1	MASS BLACK TO Wiring START [NS]		



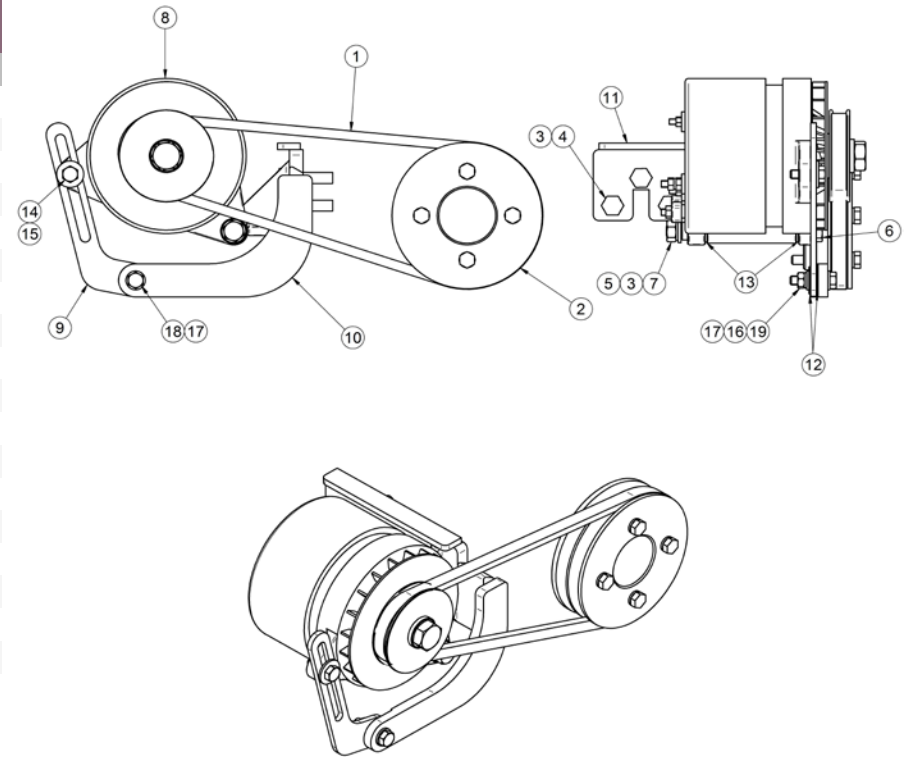


17117104		Kit 2nd Alternator 28V/55A			
FIG.	REF.	QTY	DESCR.	FROM	UPTO
1	17117105.1	1	Bracket		
2	19127007	1	Belt, stretcher		
3	17117100.3	1	Belt Type		
4	17110102	1	Pulley 2A (S)		
5	53033010	10	Washer GROWER DIN 127-10		
6	52202311	1	Bolt DIN 933 M10-1,25-40 8.8		
7	51031008	1	Washer DIN 9021 8		
8	53033008	3	Washer GROWER DIN 127-8		
9	52120008	1	Nut DIN 934 M8 8.8		
10	52102259	1	Bolt DIN 933 M8-30 8.8		
11	53033005	1	Washer GROWER DIN 127-5		
12	52120005	1	Nut DIN 934 M5 8.8		
13	51030010	3	Washer DIN 125-10		
14	52101326	1	Bolt DIN 931 M10-130 8.8		
15	52120010	1	Nut DIN 934 M10 8.8		
16	17117018	1	Pulley Alternator		
17	17614019	1	Spacer 10,5X18X6		
18	17417019.A	1	DIFFERENTS COMPONENTS		
19	52102306	1	Bolt DIN 933 M10-15 8.8		
20	17417024	1	Alternator 28V/55A		



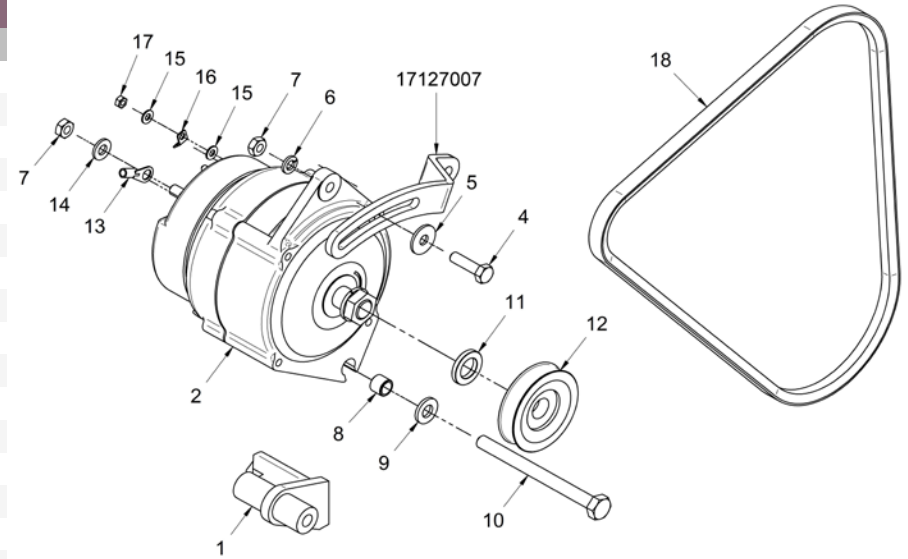


17117108		Kit 2nd Alter. 12V/90A Earth Isolated			
FIG.	REF.	QTY	DESCR.	FROM	UPTO
1	17117100.3	1	Belt Type		
2	17110102	1	Pulley 2A (S)		
3	53033010	4	Washer GROWER DIN 127-10		
4	52202311	3	Bolt DIN 933 M10-1,25-40 8.8		
5	51030010	2	Washer DIN 125-10		
6	52101326	1	Bolt DIN 931 M10-130 8.8		
7	52120010	1	Nut DIN 934 M10 8.8		
8	17117023	1	Alternator 12V/90A		
9	17117108.2	1	Belt, Stretcher		
10	17117108.3	1	Welded Part to Stand		
11	17117106.3	1	Bracket		
12	17217012	2	Tensor Bakelite Bushing		
13	17217009	2	Bracket Bakelite Bushing		
14	52102258	1	Bolt DIN 933 M8-25 8.8		
15	51031008	1	Washer DIN 9021 8		
16	53033008	3	Washer GROWER DIN 127-8		
17	51030008	4	Washer DIN 125-8		
18	52102260	1	Bolt DIN 933 M8-35 8.8		
19	52120008	1	Nut DIN 934 M8 8.8		



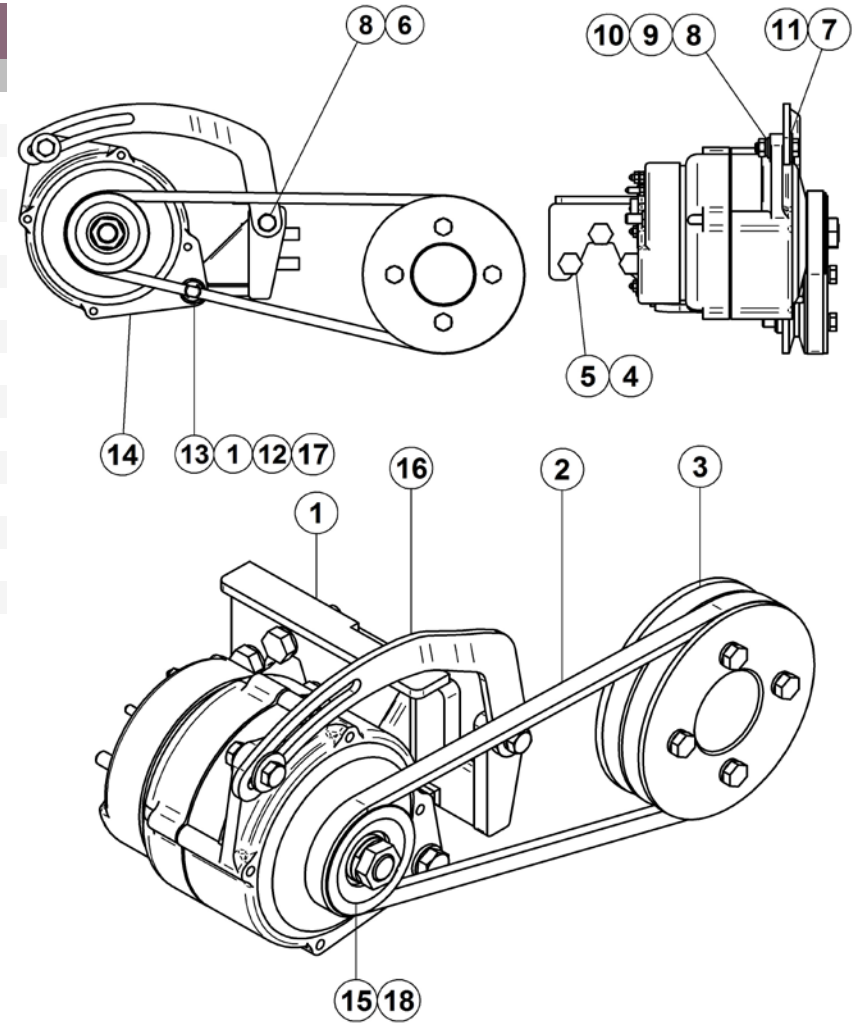


17117110		Kit Alternator 14V.95A.			
FIG.	REF.	QTY	DESCR.	FROM	UPTO
1	17127002.6	1	Bracket Alternator		
2	17117025	1	Alt. 14V/95A Mahle	13/04/2016	
4	52102259	1	Bolt DIN 933 M8-30 8.8		
5	51031008	1	Washer DIN 9021 8		
6	53033008	1	Washer GROWER DIN 127-8		
7	52120008	2	Nut DIN 934 M8 8.8		
8	17417025	1	Spacer 13.5x10.2x11	09/09/2015	
9	51030010	1	Washer DIN 125-10		
10	52101325	1	Bolt DIN 931 M10-120 8.8		
11	13817016	1	Spacer 17X28X4		
12	17117016.7	1	Pulley		
13	TR.10.8	1	Ring Terminal 10 Sec.		
14	51030008	1	Washer DIN 125-8		
15	51030005	2	Washer DIN 125-5		
16	TFM.6.3.T.5.l	1	Straight Receptacle 6.3 Faston		
17	52120005	1	Nut DIN 934 M5 8.8		
18	17117021	1	Belt Type SPAX 1030		



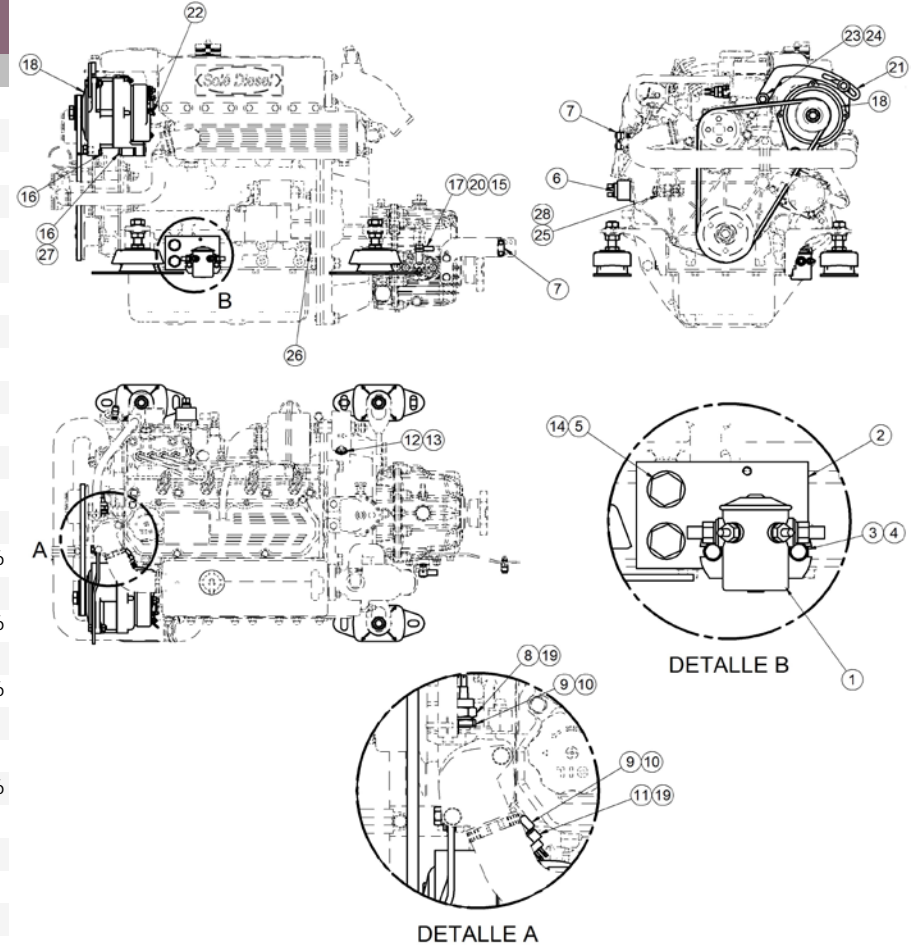


17117111 Kit 2nd Alternator 14V/95A					
FIG.	REF.	QTY	DESCR.	FROM	UPTO
1	17117111.1	1	Bracket		
2	17117111.3	1	Belt Type		
3	17110102	1	Pulley 2A (S)		
4	53033010	3	Washer GROWER DIN 127-10		
5	52202311	3	Bolt DIN 933 M10-1,25-40 8.8		
6	52102256	1	Bolt DIN 933 M8-15 8.8		
7	51031008	1	Washer DIN 9021 8		
8	53033008	2	Washer GROWER DIN 127-8		
9	52120008	1	Nut DIN 934 M8 8.8		
10	51030008	1	Washer DIN 125-8		
11	52102259	1	Bolt DIN 933 M8-30 8.8		
12	51030010	1	Washer DIN 125-10		
13	52101325	1	Bolt DIN 931 M10-120 8.8		
14	17117025	1	Alt. 14V/95A Mahle	13/04/2016	
15	17117016.7	1	Pulley		
16	17117111.2	1	Belt, Stretcher		





17117200 Kit Wire Earth Isolated 12V					
FIG.	REF.	QTY	DESCR.	FROM	UPTO
	60971136	1	SVT 20 MINI-62 Isolated	25/10/2017	
1	60900999	2	Connection M14X1,5 5/8" EXA.22 L=22		
2	60900972	1	High Coolant, 2 Poles		
3	56000073	3	Copper Washer 16-23-1,5		
4	56000069	1	Washer 14-20-1,5		
5	60900982	1	Temperature SENDER		
6	17127007.3	1	BRACE Generator		
7	17117012	2	Tensor Bakelite Bushing		
8	17117011	2	Bracket Bakelite Bushing		
9	17127002.6B	1	Bracket Alternator		
10	60900978	1	Switch, Oil Press		
11	17117052	1	Oil Pressure Sensor Adaptor	29/09/2015	
12	51030006	2	Washer DIN 125-6		
13	52102154	2	Bolt DIN 933 M6-10 8.8	26/11/2005	
14	19017104	1	Relay 12 V. Bipolar		05/06/2016
14	19017113	1	Relay 12 V, Earth Isolated	06/06/2016	
15	17117107	1	Suport Relais		05/06/2016
15	17117113	1	Bracket	06/06/2016	
16	51030008	2	Washer DIN 125-8		06/06/2016
16	53033008	2	Washer GROWER DIN 127-8	07/06/2016	
17	52102257	2	Bolt DIN 933 M8-20 8.8	07/06/2016	
17	52102258	2	Bolt DIN 933 M8-25 8.8		06/06/2016
18	52120006	1	Nut DIN 934 M6 8.8		
19	14419023	1	Ball JOINT		
20	15119015	1	CABLE Holder Ball		
21	13019001	2	Clamp		
NS	18525200	1	Stop SOLENOID (ETS)12V [NS]		
NS	18525202	1	Spring Valve Pump [NS]		
NS	51030005	2	Washer DIN 125-5 [NS]	01/08/2017	
NS	54102103	1	Bolt DIN 933 M5-8 INOX. [NS]		
NS	58088284	5	Pastic Cable Zip Tie [NS]	05/06/2014	
NS	60900091	1	MICRO Relay 12V 12-20 [NS]		
NS	60900153	1	Wire [NS]		
NS	60900156	1	Wire [NS]		
NS	60900158	2	Terminal Tubular Sleeve (1.5) [NS]	01/08/2017	

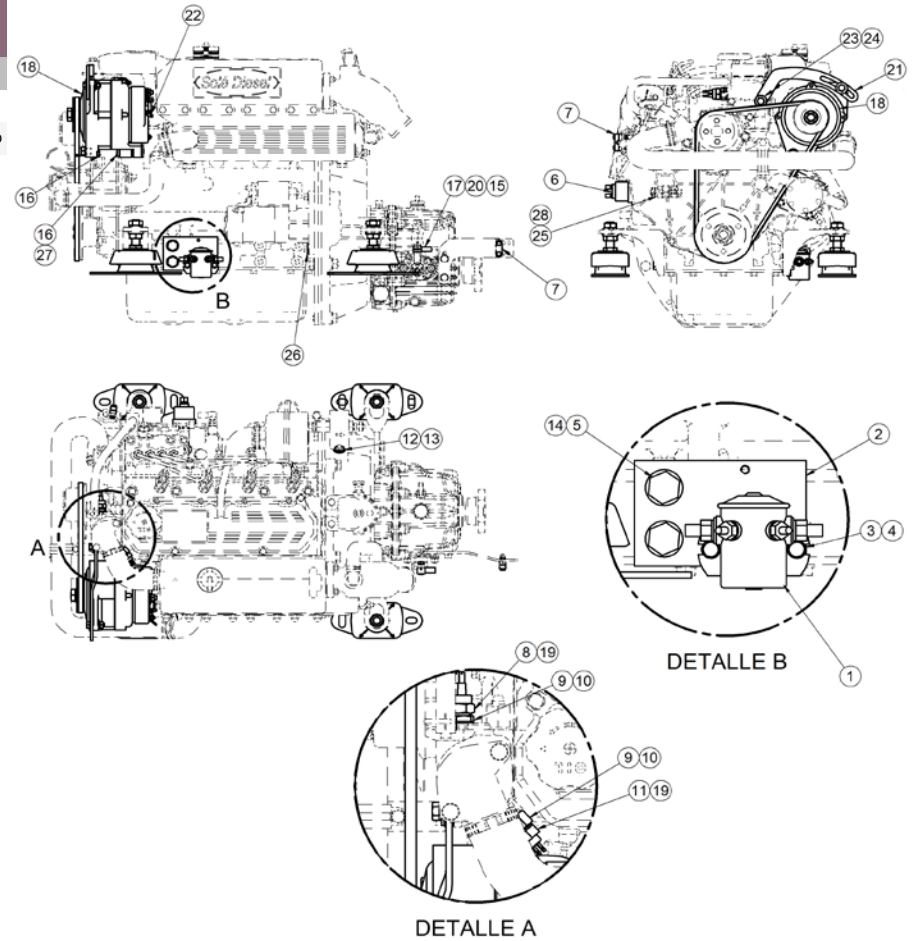


[NS] Not shown

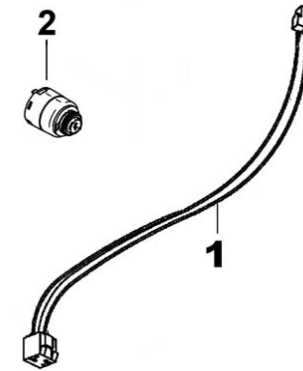




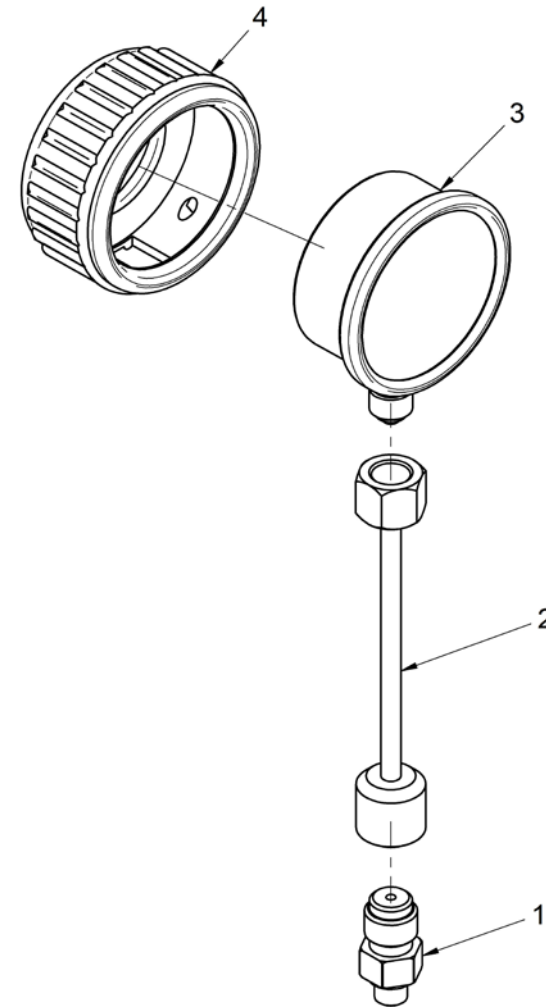
17117200		Kit Wire Earth Isolated 12V			
FIG.	REF.	QTY	DESCR.	FROM	UPTO
NS	60971201	1	Wiring Electrical Isolated MINI-62 SVT [NS]	13/04/2016	
NS	60971202R.2	1	MINI-62 Electrical Wiring EARTH ISOLATED [NS]	04/02/2014	13/04/2016
NS	60975048	1	MASS BLACK TO Wiring START [NS]		



24813510 Kit Water Leak Sensor & Alarm SP60 12V					
FIG.	REF.	QTY	DESCR.	FROM	UPTO
1	60938203	1	SPROP60 Water SYStem Alarm SYSTEM		
2	24813504	1	Water Alarm Sensor		

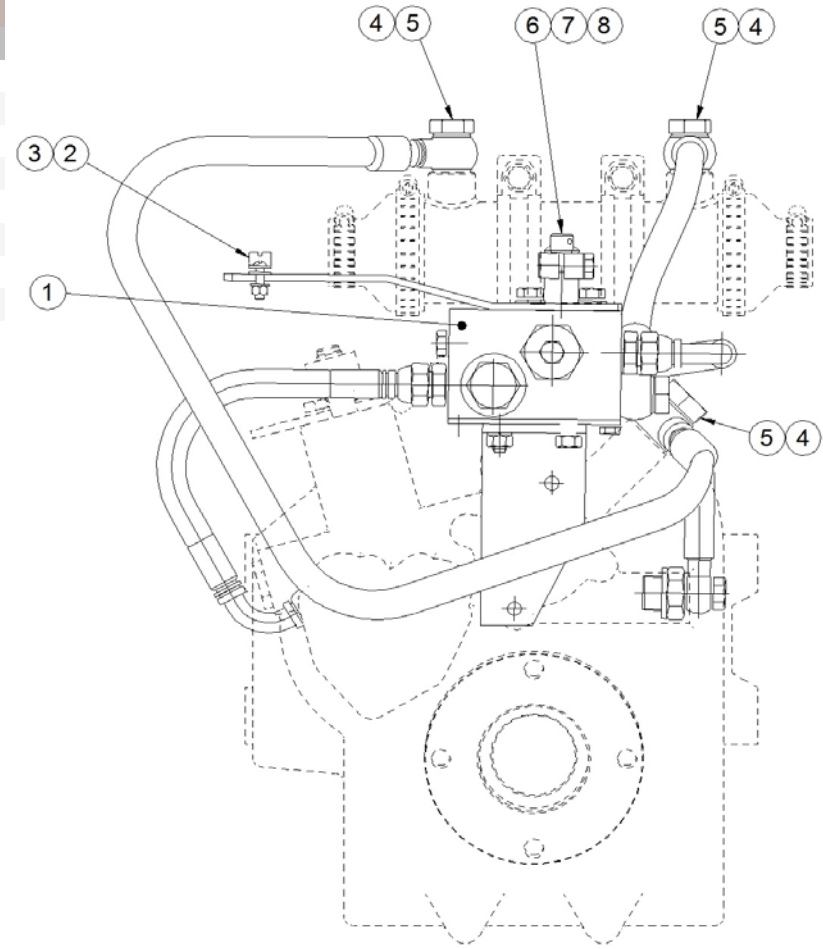


13812010		Pressure Gauge Kit 10 BAR			
FIG.	REF.	QTY	DESCR.	FROM	UPTO
1	13812013.1	1	Pressure Tap		
2	13812011	1	Flexible Hose F-M G1/4-M16x2		
3	13812012	1	Pressure Gauge 0-10 bar		
4	13812014	1	Protective Rubber		





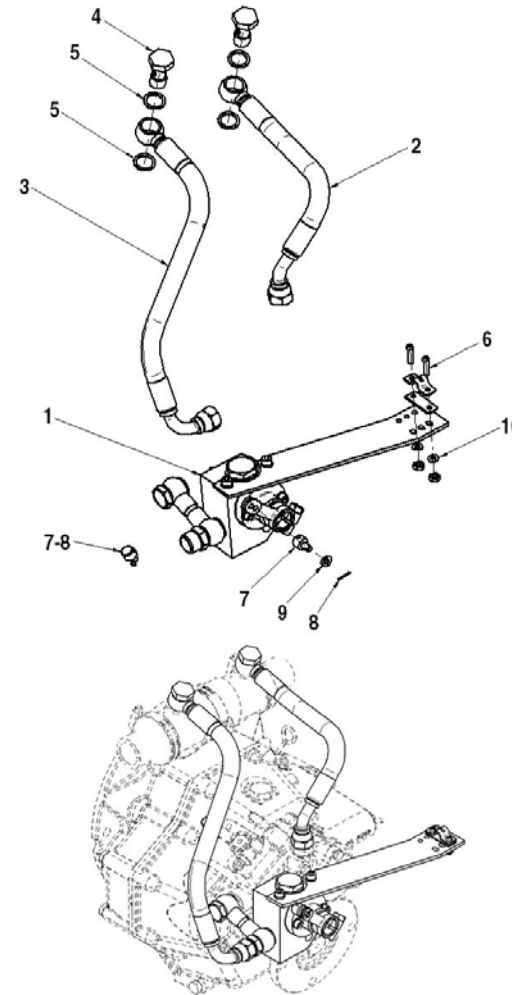
17012093		Kit Trolling Valve for TM-93/A			
FIG.	REF.	QTY	DESCR.	FROM	UPTO
1	24810050	1	Trolling Valve TM-93		
2	24810913	1	Clamp,CABLE		
3	51030005	2	Washer DIN 125-5		
4	57000375	6	Washer 17-22-1,5		
5	14712015	3	Bolt,Coupling pipe oil		
6	14719115	2	Coupling,cable		
7	51030006	4	Washer DIN 125-6		
8	51051107	2	Pin DIN-94 1,6-16		
NS	17112024	2	Pipe, rev.oil Cooler [NS]		



[NS] Not shown

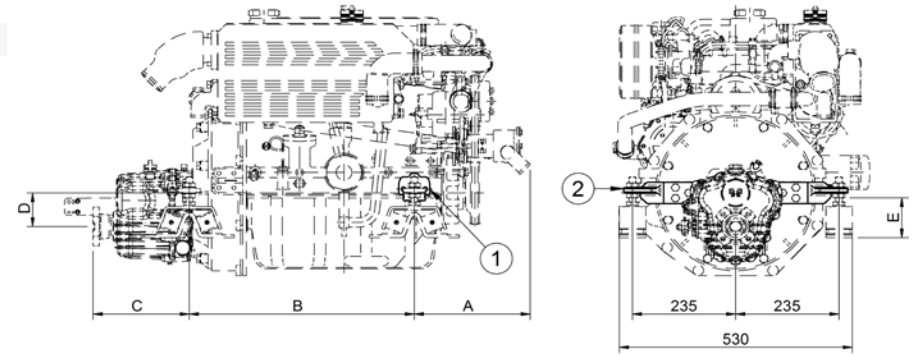


17012345		Kit Trolling Valve for TM-345/A			
FIG.	REF.	QTY	DESCR.	FROM	UPTO
1	24850050	1	Trolling Valve TM-345A		
2	17012024	1	Pipe		
3	17512017	1	Pipe, rev.oil Cooler		
4	14712015	2	Bolt,Coupling pipe oil		
5	57000375	4	Washer 17-22-1,5		
6	24810913	1	Clamp,CABLE		
7	14719115	2	Coupling,cable		
8	51051107	2	Pin DIN-94 1,6-16		
9	51030006	1	Washer DIN 125-6		
10	51030005	2	Washer DIN 125-5		



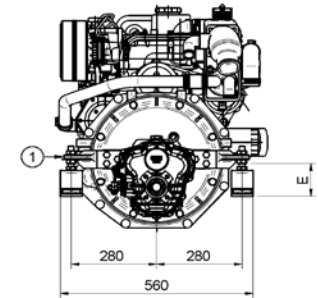
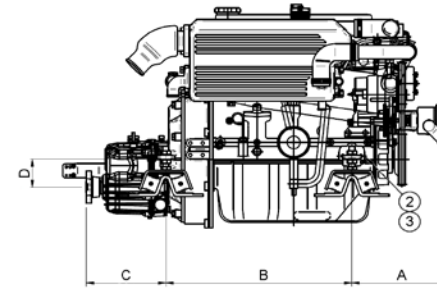


17110035 Motor Bracket Breadht 235 (TMC 60)					
FIG.	REF.	QTY	DESCR.	FROM	UPTO
1	17110002.3	2	Bracket, Front (Width 235)		
2	17110003.1	2	Bracket, Rear (Width 235)		



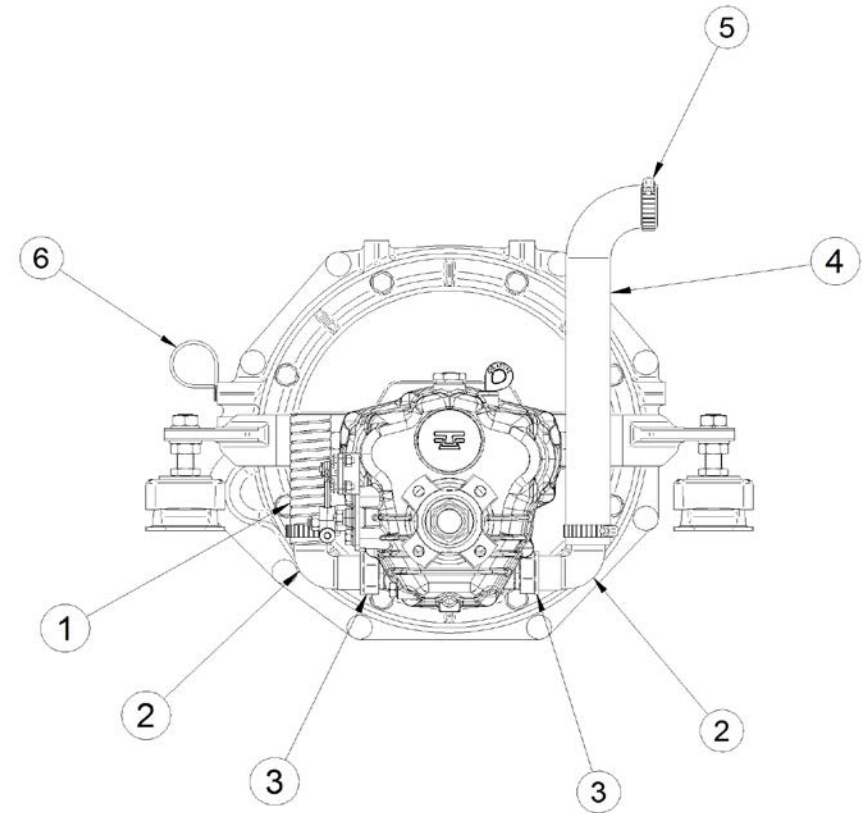


17110036		Bracket 235 Width (TM-345)				
FIG.	REF.	QTY	DESCR.	FROM	UPTO	
1	17110002.4	2	Bracket			
2	17110008.3	1	Bracket			
3	17110009.3	1	Bracket			





17110212		Kit Cooler Assy TMC-60			
FIG.	REF.	QTY	DESCR.	FROM	UPTO
1	M87503040	0	Water Intake Hose (HQ) D. 30-38 [VAR]		
2	14711022	2	Hose N° 2		
3	17111040	2	-----		
4	17111042	1	Hose		
5	54082025	4	Clamp DIN 3017 25-40/12 W4		
6	59071404	1	Clamp 40/15 W1		
NS	58088284	1	Pastic Cable Zip Tie [NS]		



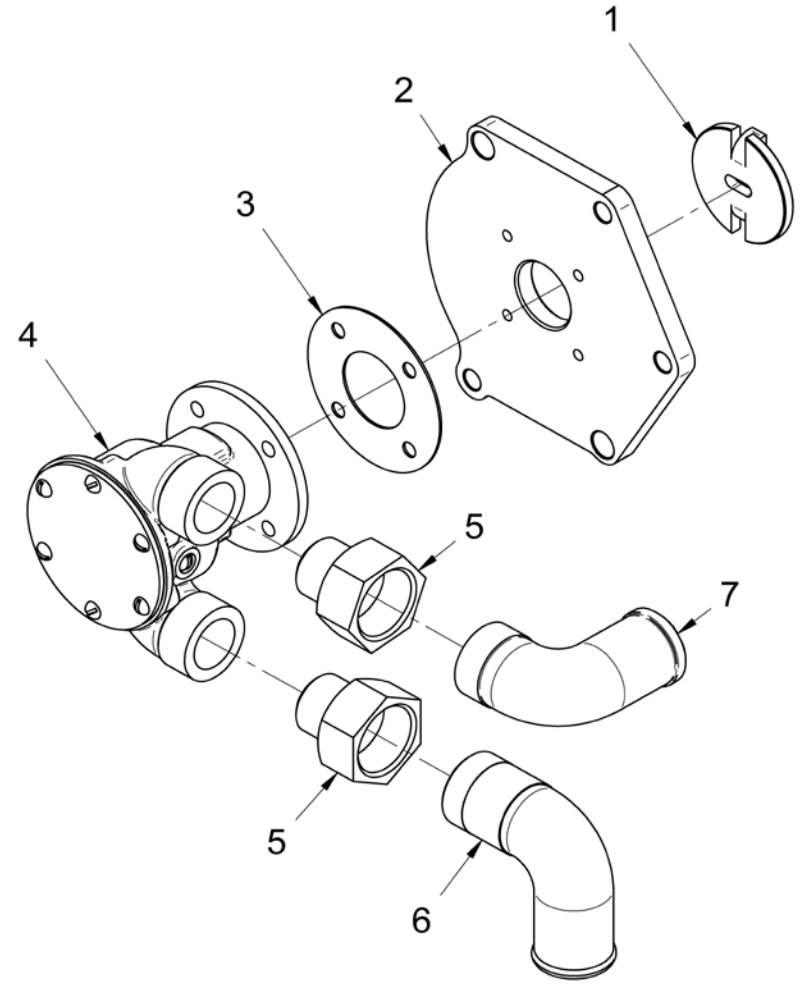
[NS] Not shown

[VAR] Variable according to repair

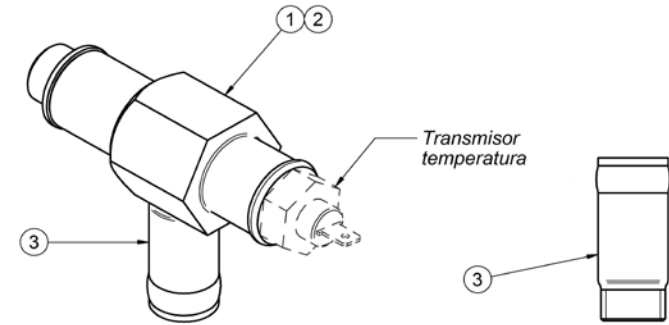




17111050		Kit Water Pump 3/4"				
FIG.	REF.	QTY	DESCR.	FROM	UPTO	
1	15210072	1	Spider			
2	17110010.1	1	Block 3/4", Water Pump			
3	15210076	1	Gasket			
4	35211000	1	3/4" Water Pump, Set			
5	17111012	2	Coupling			
6	14711022	1	Hose N° 2			
7	14711021	1	Hose N° 1			

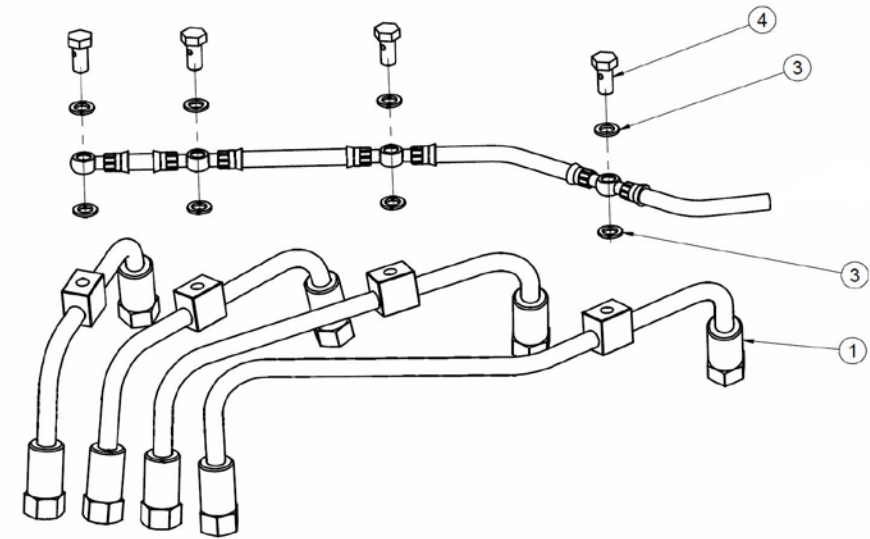


17111156		Boiler Kit (S)			
FIG.	REF.	QTY	DESCR.	FROM	UPTO
1	13511050	1	NIPPLE,heater	10/02/2007	
2	56000073	1	Copper Washer 16-23-1,5		
3	17124053	2	Joint		





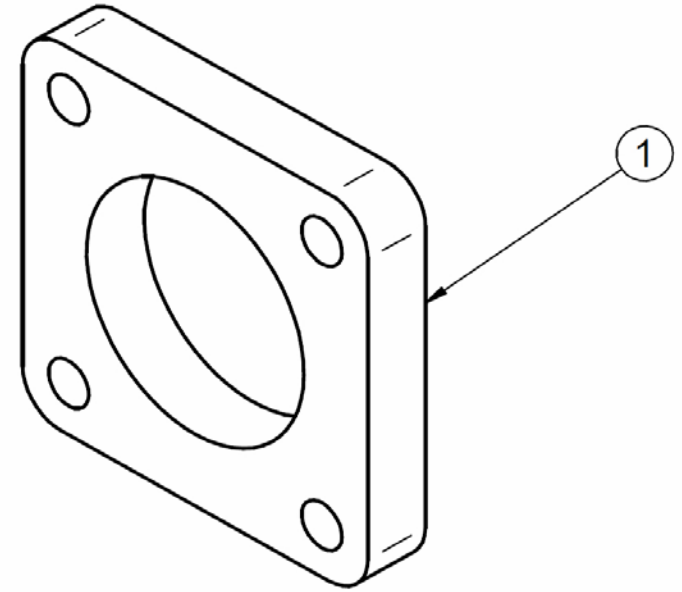
17124100R		Kit Injection Pipes 2nd Wall			
FIG.	REF.	QTY	DESCR.	FROM	UPTO
1	17124010R	1	Pipe Kit		
3	56000057	8	Washer 8-13-1,5		
4	13114007	4	Screw SHORT Connector		
NS	17110020R	1	Spacer, Air Filter [NS]		



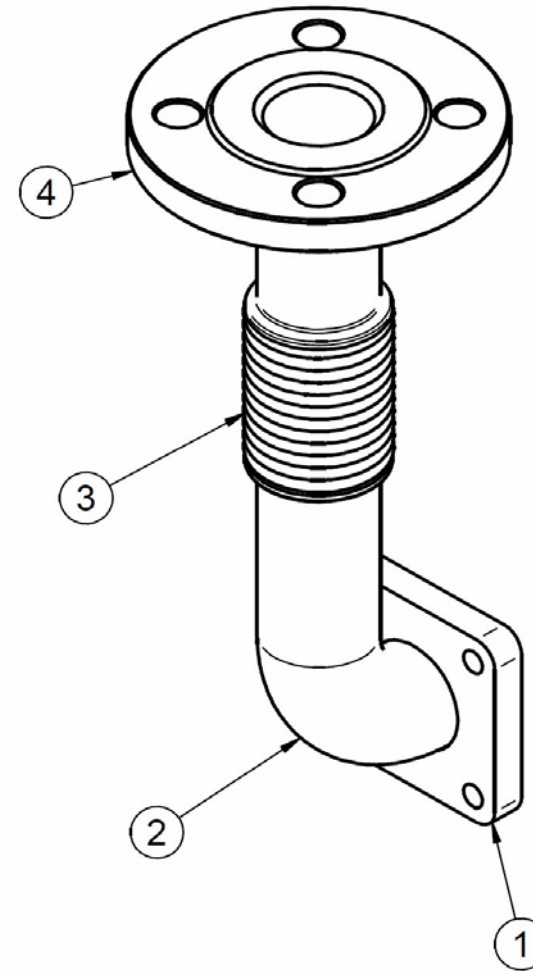
[NS] Not shown



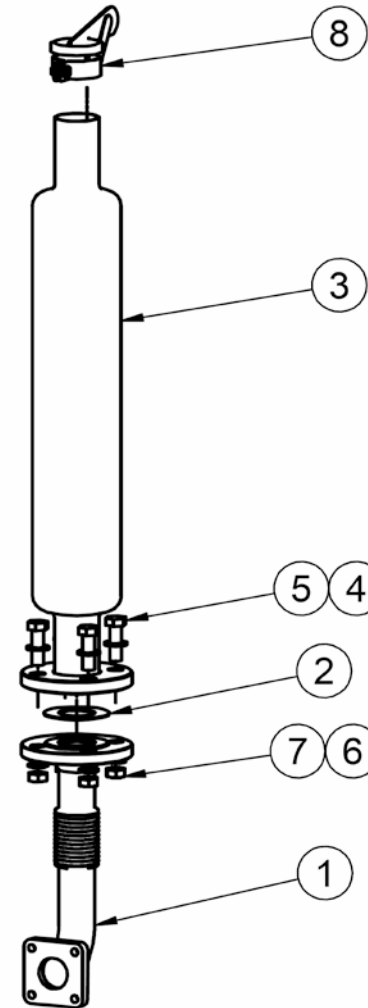
17113017 Exhaust Flange (S)						
FIG.	REF.	QTY	DESCR.	FROM	UPTO	
1	17113017.1	1	Exhaust Flange			



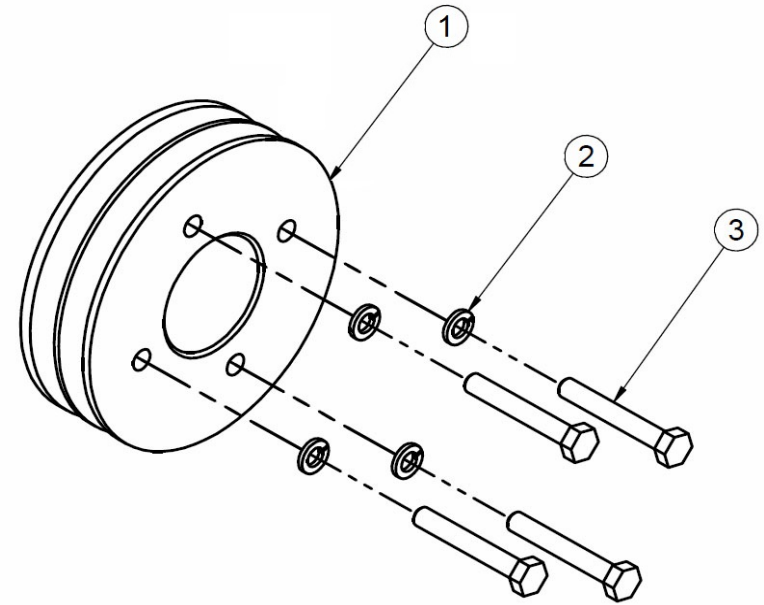
17113115		Kit Dry Exhaust With Flexible Pipe (S)			
FIG.	REF.	QTY	DESCR.	FROM	UPTO
1	17113021	1	Exhaust, Cover		
2	51066040	1	KNEE 90 FIG. 6002/5 1 1/2"		
3	17113020	1	Expansion, Compensator		
4	51068040	1	Flange		



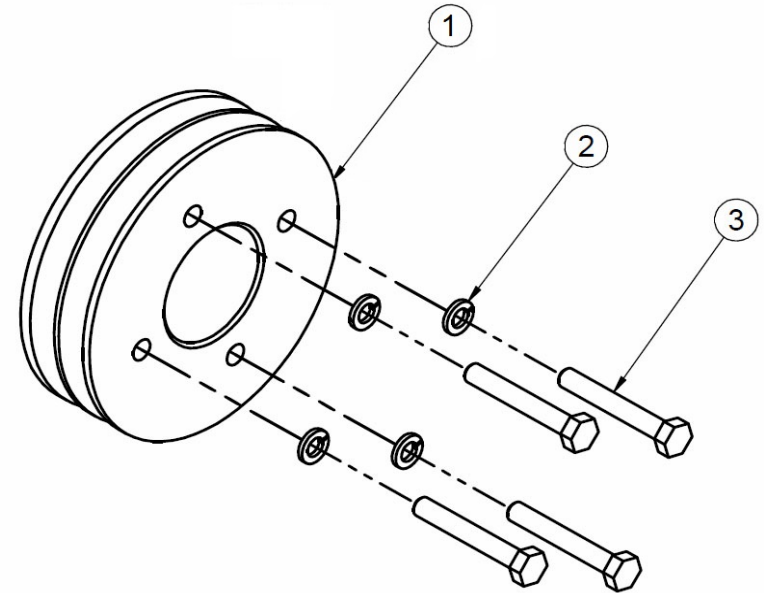
17113118		Kit Dry Exh. Flexible Pipe & Silencer(S)			
FIG.	REF.	QTY	DESCR.	FROM	UPTO
1	17113115	1	Kit Dry Exhaust With Flexible Pipe (S)		
2	17113022	1	Gasket 88-50X2		
3	17113018	1	Exhaust Muffler		
4	51030016	4	Washer DIN 125-16		
5	52101463	4	Bolt DIN 931 M16-50 8.8		
6	53033016C	4	Washer	10/12/2009	
7	52120016	4	Nut DIN 934 M16 8.8		
8	17113019	1	RAINCover		



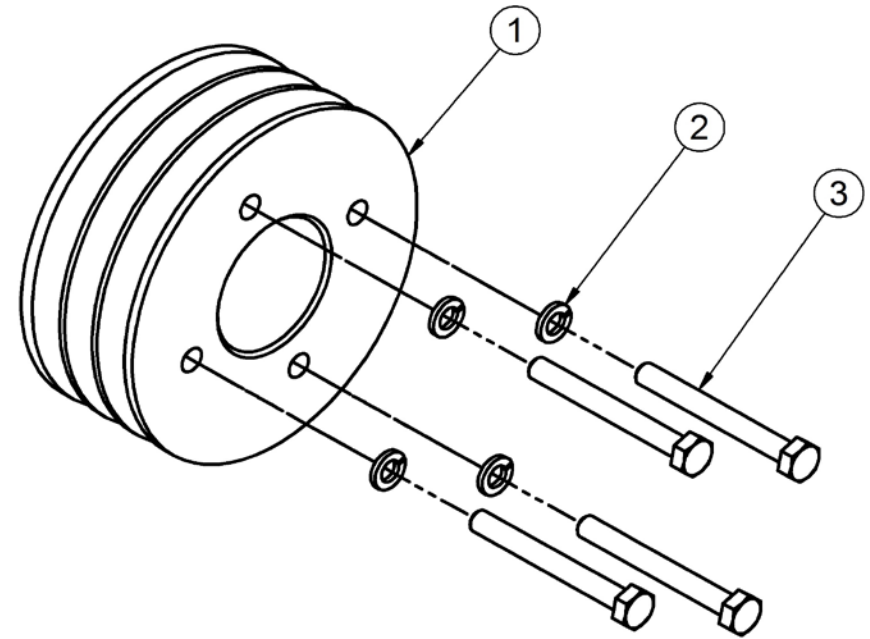
17110101 Pulley 2B (S)						
FIG.	REF.	QTY	DESCR.	FROM	UPTO	
1	17110101.2	1	Pulley 2B			
2	53033008	4	Washer GROWER DIN 127-8			
3	52101265	4	Bolt DIN 931 M8-60 8.8			



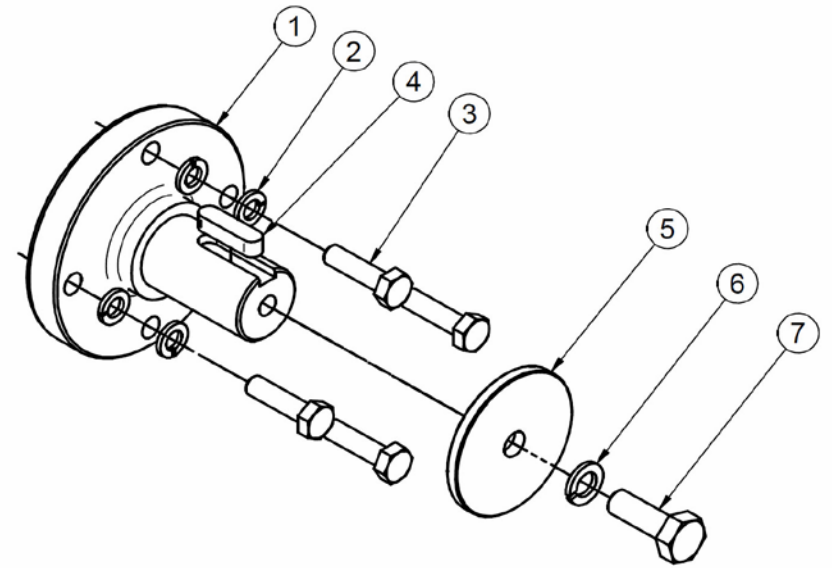
17110102 Pulley 2A (S)						
FIG.	REF.	QTY	DESCR.	FROM	UPTO	
1	17110102.3	1	Pulley 2A			
2	53033008	4	Washer GROWER DIN 127-8			
3	52101264	4	Bolt DIN 931 M8-55 8.8			



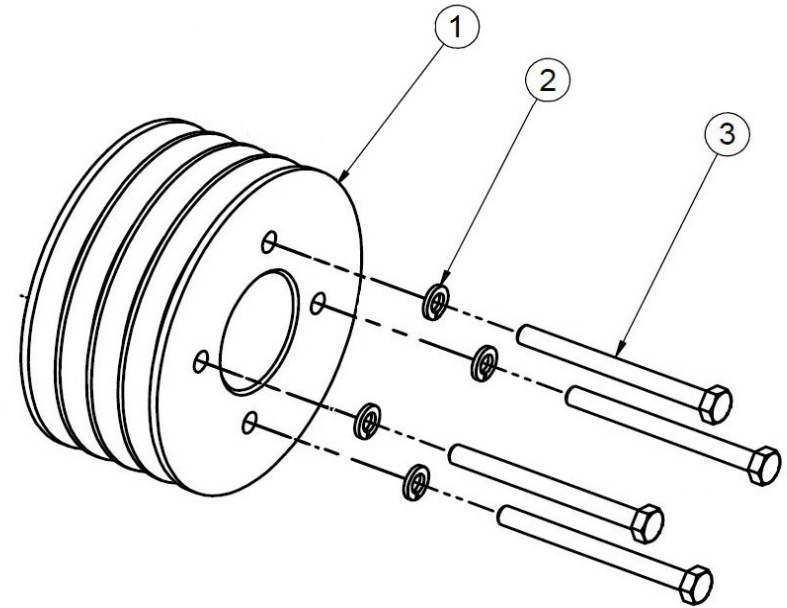
17110104		Pulley 3A (S)			
FIG.	REF.	QTY	DESCR.	FROM	UPTO
1	17110104.1	1	Pulley 3A		
2	53033008	4	Washer GROWER DIN 127-8		
3	52101267	4	Bolt DIN 931 M8-70 8.8		



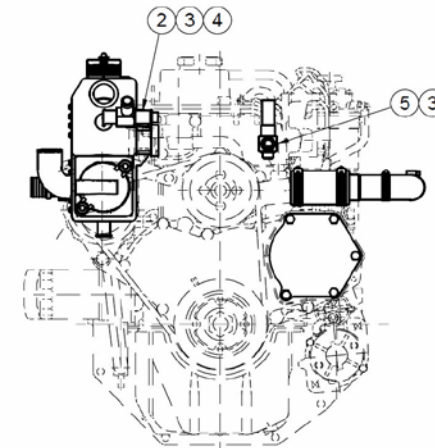
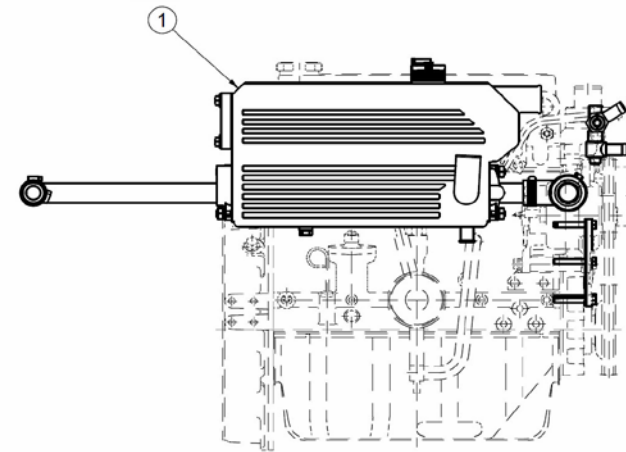
17110105		Kit Power Take-off D30 (S)			
FIG.	REF.	QTY	DESCR.	FROM	UPTO
1	17110105.1	1	PTO Shaft		
2	53033008	4	Washer GROWER DIN 127-8		
3	52101259	4	Bolt DIN 931 M8-30 8.8		
4	17410131	1	KEY DIN 6885A 8-7-30		
5	60500064	1	Butt Washer		
6	53033010	1	Washer GROWER DIN 127-10		
7	52102309	1	Bolt DIN 933 M10-30 8.8		



17410102		Pulley 4A D138 (S)			
FIG.	REF.	QTY	DESCR.	FROM	UPTO
1	17410102.1	1	Pulley 4A		
2	53033008	4	Washer GROWER DIN 127-8		
3	52101270	4	Bolt DIN 931 M8-85 8.8		

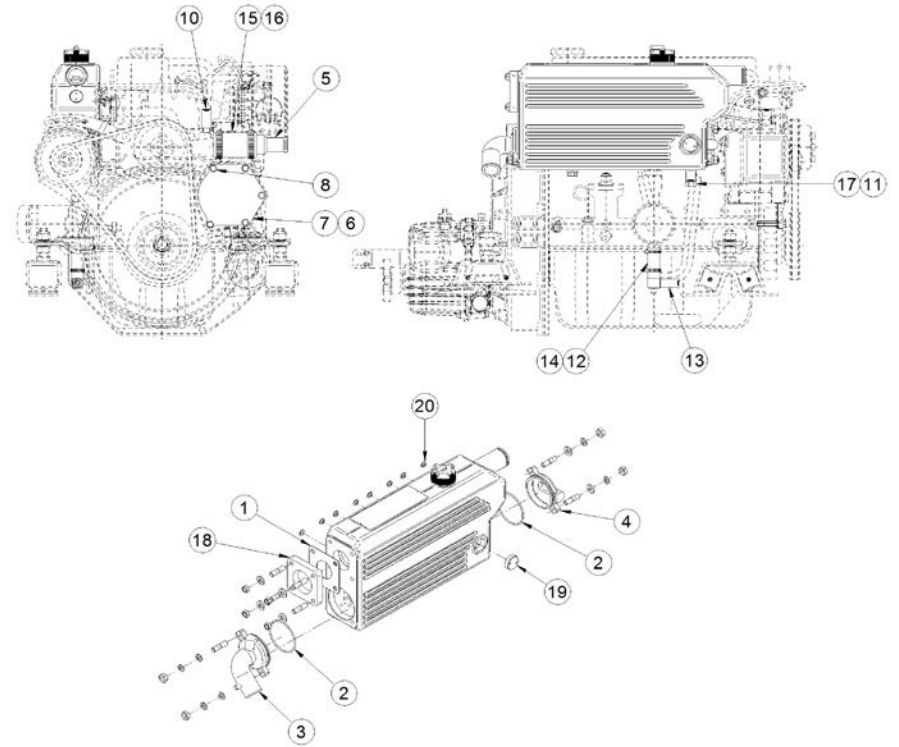


1711159		Boiler Kit + Keel Cooling			
FIG.	REF.	QTY	DESCR.	FROM	UPTO
1	17111200.1	1	Kit Keel Cooling & Dry Exhaust (S)		
2	13511050	1	NIPPLE,heater		
3	17124053	2	Joint		
4	56000073	2	Copper Washer 16-23-1,5		
5	16511042	1	NIPPLE,heater		





1711200		Kit Keel Cooling & Dry Exhaust				
FIG.	REF.	QTY	DESCR.	FROM	UPTO	
1	17113016	1	Gasket			
2	18011008	2	O-Ring D. 72X3			
3	18011103	1	Cover,Water Cooler			
4	18011102	1	Cover,Water Cooler			
5	17511015	1	Pipe	14/12/2016		
6	17120042	1	Gasket,cover			
7	17120045	1	Cover			
8	17120047	5	Bolt, w/washer			
10	13811052	1	Coupling,Screw			
11	56000015	1	Washer 12-19-2	14/12/2016		
12	17111032	1	Pipe 12,7-20-55		06/04/2017	
12	19012015	1	Pipe 15-25-65	07/04/2017		
13	17111031	1	Coupling			
14	54081016	4	Clamp DIN 3017 16-27/9 W4			
15	19411045	1	Pipe 42-54-90	14/12/2016		
16	54082040	2	Clamp DIN 3017 40-60/12 W4	14/12/2016		
17	52102357	1	Bolt DIN 933 M12-20 8.8	14/12/2016		
18	17113017	1	Exhaust Flange (S)			
19	16513004	1	Plug 1"	07/04/2017	15/05/2017	
20	53038008	8	Washer DIN 6798-A 8	13/11/2017		
NS	M87501927	0	Water Intake Hose (HQ) D. 19-27 [NS] [VAR]			
NS	13311005	1	Plug [NS]		06/04/2017	
NS	17120046	4	Bolt, w/washer [NS]		10/05/2017	



[NS] Not shown

[VAR] Variable according to repair





1711203 Kit Keel Cooling, Wet Exhaust, Hyd.Gear.					
FIG.	REF.	QTY	DESCR.	FROM	UPTO
	M81510817	0	Fuel Hose D. 8-17 [VAR]		
	M87501927	0	Water Intake Hose (HQ) D. 19-27 [VAR]		
	M87503242	1	Water Intake Hose (HQ) D. 32-42		
	13211057	1	Rubber		
	13811052	1	Coupling,Screw		
	14711021	1	Hose N° 1		
	15212022	1	Elbow	15/02/2017	
	16511009	2	Elbow		
	17111031	1	Coupling		
	17113015	1	Elbow,wet exhaust		
	17120042	1	Gasket,cover		
	17120045	1	Cover		
	17120046	4	Bolt, w/washer		10/05/2017
	17120047	5	Bolt, w/washer		
	17511015	1	Pipe		
	18011008	2	O-Ring D. 72X3		
	18011102	2	Cover,Water Cooler		
	18221052	1	Cap Connector		
	18517013	1	Spacer 10X20X7		
	19411043	1	Pipe 48-60-85		
	19412002	1	Water Cooler Cover		
	54081012	2	Clamp DIN 3017 12-22/9 W4		
	54081016	3	Clamp DIN 3017 16-27/9 W4		
	54082025	2	Clamp DIN 3017 25-40/12 W4		
	54082032	2	Clamp DIN 3017 32-50/12 W4		
	54082040	2	Clamp DIN 3017 40-60/12 W4		
	58088280	1	Pastic Cable Zip Tie		

**IMAGEN DISPONIBLE PRÓXIMAMENTE
IMAGE AVAILABLE COMING SOON**

[VAR] Variable according to repair





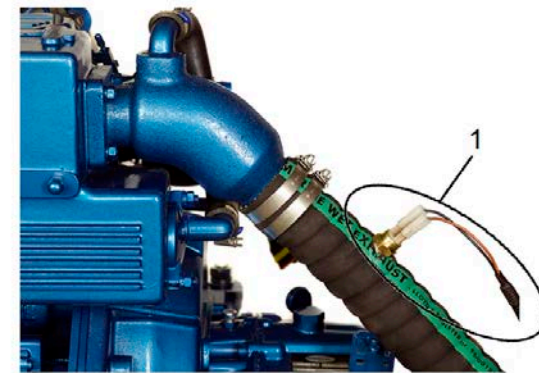
17117217		Suplement Panel SVT 30 MINI-62			
FIG.	REF.	QTY	DESCR.	FROM	UPTO
	TFH.1M.6.3.08	1	Straight Receptacle 1 Sec. Faston	15/06/2016	
	17117052	1	Oil Pressure Sensor Adaptor	15/06/2016	
	60900063	1	Insulator Cap Faston 6.3	15/06/2016	
	60900985	1	Pressure Sensor	15/06/2016	
	60971138	1	SVT 30 MINI-62 Panel	15/06/2016	

**IMAGEN DISPONIBLE PRÓXIMAMENTE
IMAGE AVAILABLE COMING SOON**



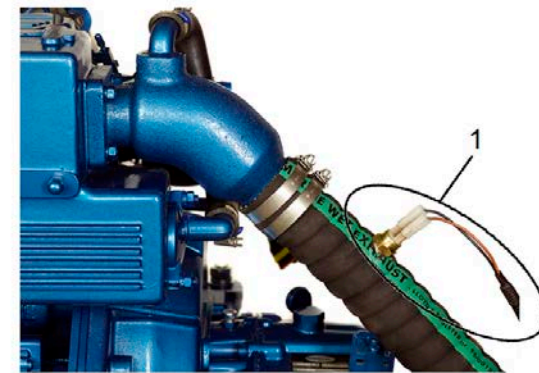


60910022 SVT 20 Panel 12V + Exh. Temp. Alarm Kit					
FIG.	REF.	QTY	DESCR.	FROM	UPTO
1	60900280	1	Exhaust Temperature Alarm Kit		
2	60910001	1	SVT 20 Panel 12V		



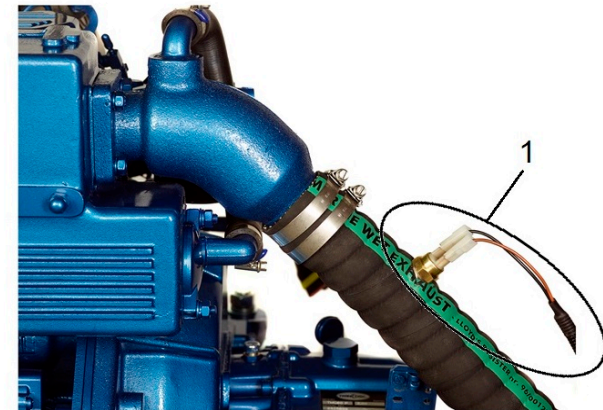


60910023 SVT 20 24V Panel + Exh. Temp. Alarm Kit					
FIG.	REF.	QTY	DESCR.	FROM	UPTO
1	60900280	1	Exhaust Temperature Alarm Kit		
2	60910002	1	SVT 20 24V Panel		



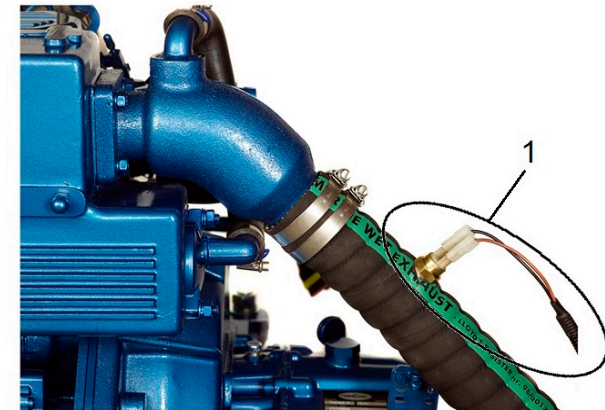


60910024 SVT 30 Panel 12V + Exh. Temp. Alarm Kit					
FIG.	REF.	QTY	DESCR.	FROM	UPTO
1	60900280	1	Exhaust Temperature Alarm Kit		
2	60910004	1	SVT 30 Panel 12V		





60910025 SVT 30 24V Panel + Exh. Temp. Alarm Kit					
FIG.	REF.	QTY	DESCR.	FROM	UPTO
1	60900280	1	Exhaust Temperature Alarm Kit		
2	60910005	1	SVT 30 24V Panel		





60971141 Kit 2nd Panel SVT 30/SVT 40 MINI-62 12V					
FIG.	REF.	QTY	DESCR.	FROM	UPTO
1	60900210.2	1	T Double Panel DERIVATION		
2	60971138	1	SVT 30 MINI-62 Panel		
3	60971140	1	SVT 40 MINI-62 Panel		
NS	17117052	1	Oil Pressure Sensor Adaptor [NS]		
NS	57000361	1	Washer 10-14-1,5 [NS]		
NS	60900985	1	Pressure Sensor [NS]		



[NS] Not shown





60971142		Kit 2nd Panel SVT 40 MINI-62 12V			
FIG.	REF.	QTY	DESCR.	FROM	UPTO
1	60900210.2	1	T Double Panel DERIVATION		
2	609A0100	1	SVT 20 SK-60 Panel		
3	609A0104	1	SVT 40 SK-60 Panel		
NS	EMB.REC4	1	Box 435X395X320 [NS]		



[NS] Not shown



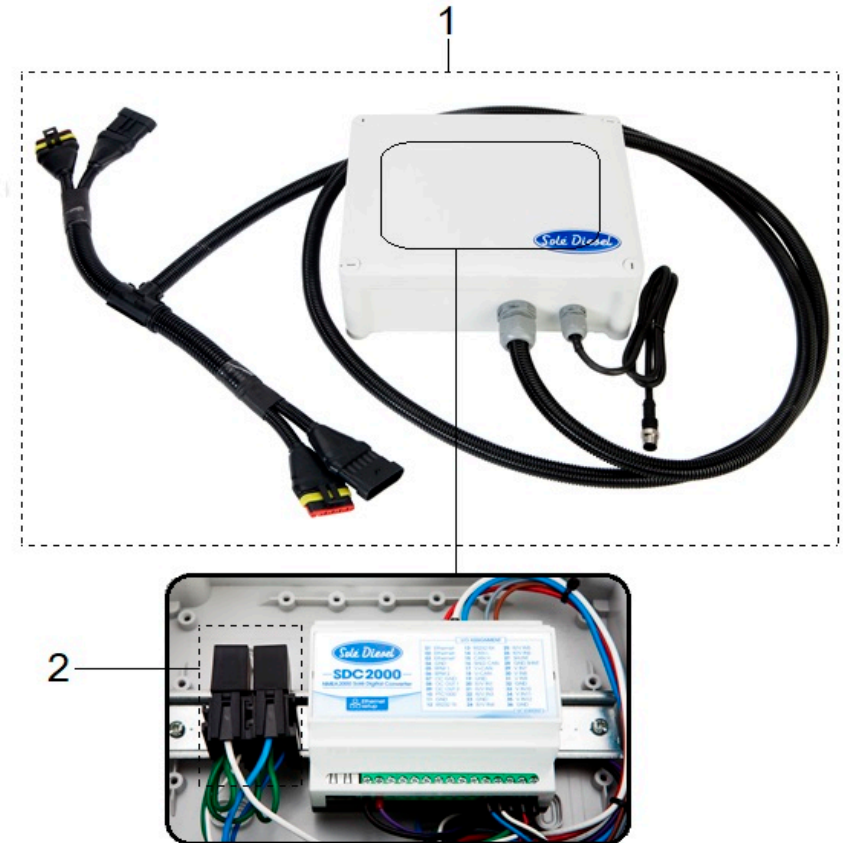


60971125M.2		Panel MTE2 MD-2300			
FIG.	REF.	QTY	DESCR.	FROM	UPTO
	60900063	1	Insulator Cap Faston 6.3		
	60938006	1	Gasket Panel		
	60938120M.2	1	TE2 MINI MIDIF Panel 12V		

**IMAGEN DISPONIBLE PRÓXIMAMENTE
IMAGE AVAILABLE COMING SOON**



61471100		Kit SDC 2000 MINI-62 12V			
FIG.	REF.	QTY	DESCR.	FROM	UPTO
1	61400200	1	Kit SDC 2000 24V Standard		
2	60900091	2	MICRO Relay 12V 12-20		



61471200		Kit SDC 2000 MINI-62 24V			
FIG.	REF.	QTY	DESCR.	FROM	UPTO
1	61400200	1	Kit SDC 2000 24V Standard		
2	60900092	2	MICRO Relay 24V 24-10		

