



Engine Mini-55
VERSION 2017-10
SPARE PARTS MANUAL



PARTS LIST CATALOGUE

NORMS TO PLACE AN ORDER:

For fast and more efficient service, please specify the following information on spare parts orders that must be preferably done by FAX or e-mail as specified below:

- 1- Engine model: As shown in identification plate
- 2- Engine serial number: As shown in identification plate and stamped on crankcase
- 3- Item description + part number + quantity required

Spare parts requests must be addressed to:

recambios@solediesel.com

Tel.: +34 93 775 44 05

Fax: +34 93 775 30 13

The components shown in the catalog have:

- Figure: Number by which they are represented in scheme
 - Description: Trade name of the component
 - Quantity: Total number of parts used in the assembly of the part represented (may differ from the total minimum quantities)
- Hoses, indicates the total length in meters
-

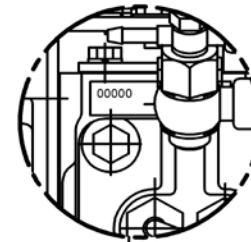
The diagrams shown in this catalog of spare parts, have only the purpose to identify the piece in question, its representation is not meaningful and may differ from the actual piece.

*In case of doubt, contact Solé Diesel, or your authorized dealer.
The parts i / or references in this catalog are subject to change without notice.*

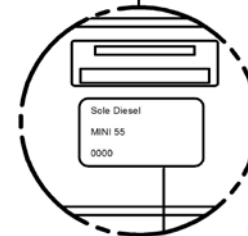
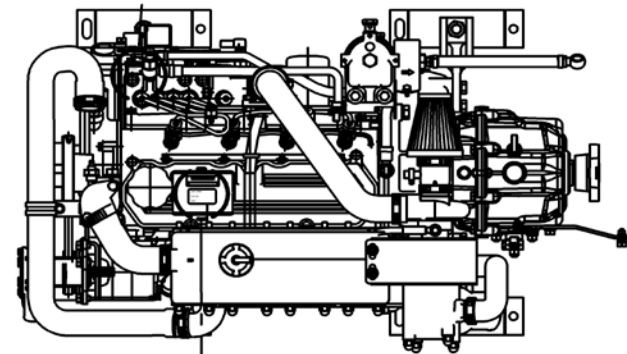
SOLÉ, S.A.

C-243b, Km, 2 - P.O. BOX 15
08760 Martorell (Barcelona) Spain

Download the latest version of this manual [HERE](#)



NUMERO DE SERIE
SERIAL NUMBER



PLACA
PLATE

Engine Body

Cylinder Head
Rocker Cover and Breather
Valve Drive
Timing Parts
Gear Case
Crankcase
Rear Plate
Piston & Connection Rod
Crankshaft & Flywheel
Oil System
Oil Pan
Engine Brackets
Oil Cooler

Inlet & Exhaust

Inlet
Turbocharger
Spare parts, Turbocharger

Cooling System

Water Pump
Cooler Pipes
Water Cooler, Assy MINI-55
Body, Water Cooler and Cap
Wet Exhaust
3/4" Water Pump Set

Fuel System

Fuel Pipe
Injection Nozzle
Fuel Injection Pump
Governor Parts
Fuel Supply Parts

Electrical System

Kit Alternator 12V/50A
Kit Alternator 14V.95A.
Starter Assy
Electrical Wiring
Deluxe Instrument Panel
SVT 20 MINI-33/44/55 Panel
SVT 30 MINI-33/44/55 Panel

Maintenance Kit

Gasket Kit
Pipe Rubber Set, Water Line
Gasket Kit
Repair Kit Water Pump 3/4"

Gearbox TMC-60E

Sheet 1/2
Sheet 2/2
Kit de Service

Gearbox TMC-60P

Sheet 1/2
Sheet 2/2
Kit de Service

Gearbox TMC-60A

Sheet 1/2
Sheet 2/2
Kit de Service

Gearbox TMC-260

Sheet 1/3
Sheet 2/3
Cooling System 3/3
Maintenance Kit

SP60 S.Drive

Sheet 1/4 SP60 S.Drive V1
Sheet 2/4 SP60 S.Drive V1
Sheet 3/4 SP60 S.Drive V1
Sheet 4/4 SP60 S.Drive V1
Sheet 1/4 SP60 S.Drive V2
Sheet 2/4 SP60 S.Drive V2
Sheet 3/4 SP60 S.Drive V2
Sheet 4/4 SP60 S.Drive V2
Maintenance Kit

Gearbox TMC35P-B4

Housing 1/5
Input & Intermediate Shaft 2/5
Output Shaft 3/5
Remote Control Device 4/5
Remote Control Pasive Unit 5/5

Gearbox TM-345

Sheet 1/4
Sheet 2/4
Sheet 3/4
Sheet 4/4
Maintenance Kit

Gearbox TM-345A

Sheet 1/4
Sheet 2/4
Sheet 3/4
Sheet 4/4
Maintenance Kit

Dry Exhaust System

Kit Dry Exhaust With Flexible Pipe

Kit Gearbox

Kit S-Drive VOLVO 120SB/120SC/120SE
Kit Z-Drive VOLVO 270/280/290 Z=10
Kit S-Drive VOLVO 130S
Kit Z-Drive VOLVO 280/290 Z=26
Kit S-Drive BUKH DV36
Kit GearBox TM-93
Kit JET CASTOLDI Num.5 SAE 5
Kit GearBox BW (Without Oil Cooler)
Kit GearBox BORG WARNER With Oil Cooler
Kit GearBox TMC-260
Kit GearBox TMC-260
Kit Prep. For SDrive SONIC
Kit GearBox TM-345/A
Kit GearBox PRM-150 (Without Oil Cooler)
Kit GearBox HURTH-150A
Kit GearBox TMC-60
Kit GearBox TMC35A2
Kit GearBox TMC/ZF/PRM
Kit S-Drive TECHNO.SP60
Kit S-Drive TECHNO.SP60 Hybrid

Electrical System Kit

Kit Alternator 14V.95A.
Kit 2nd Alternator 28V/55A
Kit 2nd Alternator 14V/90A
Kit Wire Earth Isolated Alternator 14V/9
Kit 24V Engine Elec. System & SVT 30 V.3

Kit 24V Engine Electrical System v3
Kit Water Leak Sensor & Alarm SP60 12V

Other Kits

SAE 5,Adaptor Flange
Pression Gauge Kit
Kit Trolling Valve for TM-93
Kit Trolling Valve for TM-345/A
Motor Bracket Width 195
Motor Bracket Width 205
Motor Bracket Width 220
Kit Pump LEDUC XP25
Kit Bobtail SAE-7
Boiler Kit (S)
Kit Cooler Assy TMC-60

Exhaust System

Dry Exhaust Flange (S)
Kit Dry Exhaust Flexible Pipe & Silencer

Power Take-off Pulley

Pulley 2B (S)
Pulley 2A (S)
Kit Power Take-off Shaft D40 & Pulley 3A
Kit Power Take-Off Shaft D40
Kit Pulley 3A (S)

Kit Keel Cooling

Kit Refroid. Quille et Esc. Sec TM-345
Kit Refroid. Quille et Esc. Sec (S)

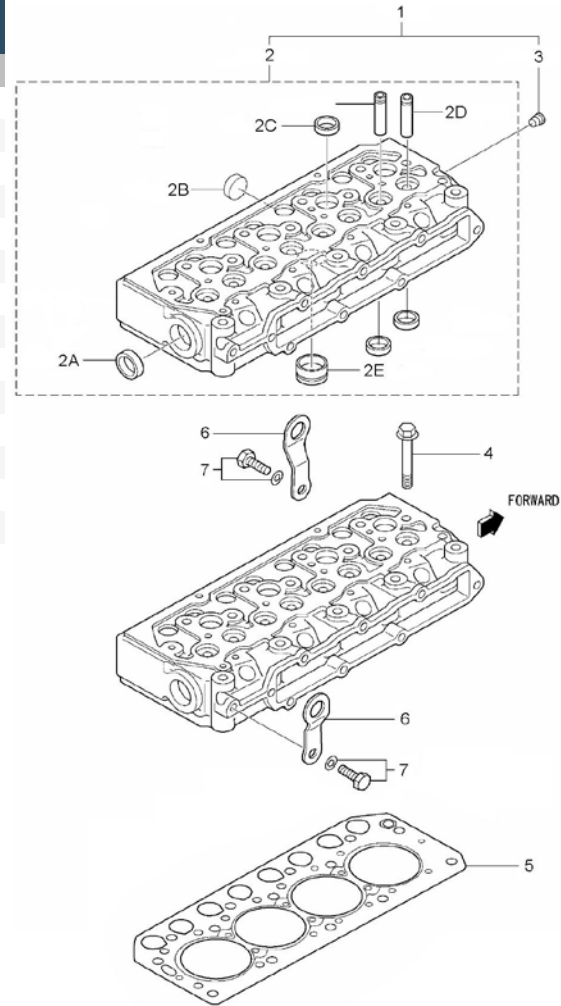
Kit Instrument Panel SVT

Suplement Panel SVT 30 MINI-33/44/55
SVT 20 Panel 12V + Exh. Temp. Alarm Kit
SVT 20 24V Panel + Exh. Temp. Alarm Kit
SVT 30 Panel 12V + Exh. Temp. Alarm Kit
SVT 30 24V Panel + Exh. Temp. Alarm Kit
Kit 2nd Panel SVT 30/40 MINI-33/44/55
Kit 2nd Panel SVT 40 MINI-33/44/55 12V
Kit 2nd Panel SVT 40 MINI-33/44/55 24V

Kits NMEA 2000 - one engine

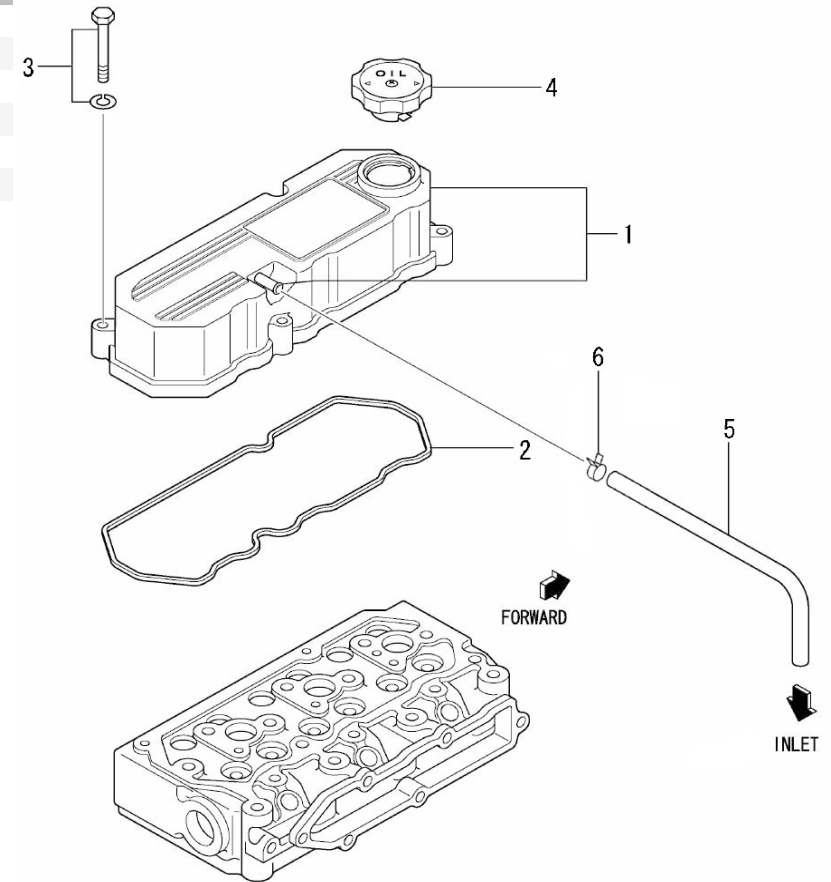
Kit SDC 2000 MINI-33/44/55 12V
Kit SDC 2000 MINI-33/44/55 24V

D_MI55_1_1		Cylinder Head				
FIG.	REF.	QTY	DESCR.	FROM	UPTO	
1	17721001	1	Head Assy,Cylinder			
2	(*)	10	Not available [NP]			
2A	17020012	1	Cap			
2B	13121003	7	Cap Sealing [NP]			
2C	17221002	4	Guide, Valve Exhaust			
2D	17221003.4	4	Guide, Valve, Inlet	02/08/2017		
2D	17721002	4	Guide,Inlet Valve [NP]		02/08/2017	
2E	17321015.1	4	JET,COMBUSTION [NP]			
3	17820011	1	Plug, Tapered [NP]	12/07/2017		
3	13120011	1	Plug, Tapered [NP]		12/07/2017	
4	17221005	14	Bolt,cylinder head			
5	17321004	1	Gasket, Cylinder Head			
6	13221011	2	HANGER Engine			
7	17720010	2	Bolt,W/Washer			



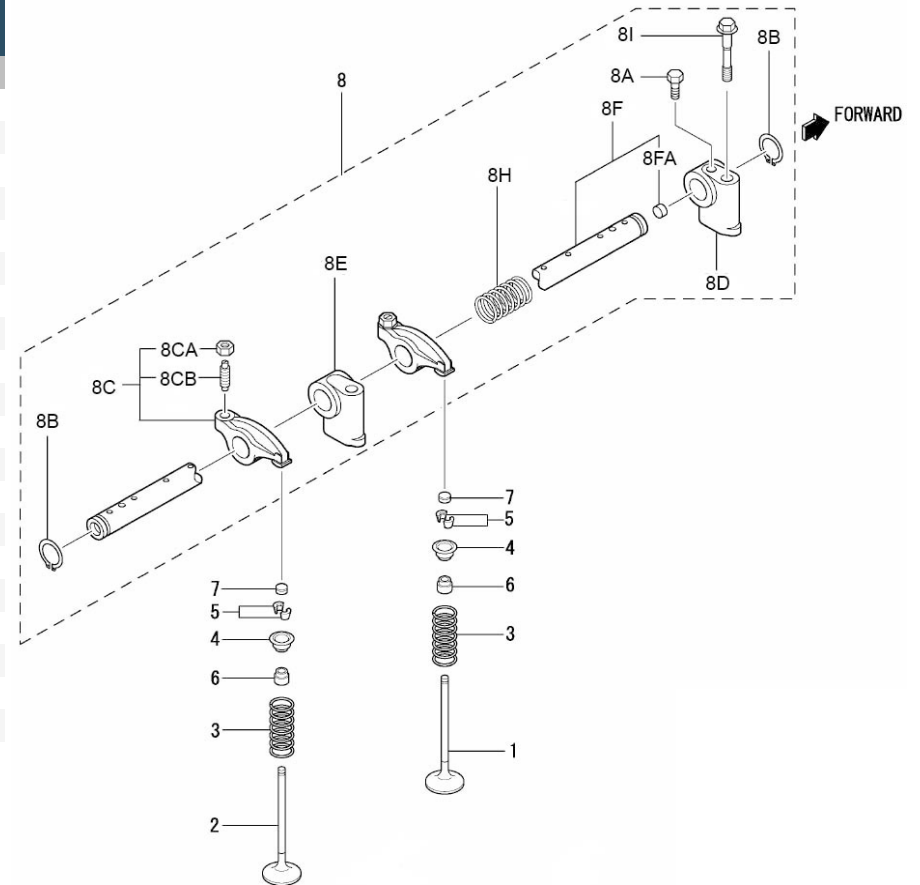
[NP] Not provided

D_MI55_1_2		Rocker Cover and Breather			
FIG.	REF.	QTY	DESCR.	FROM	UPTO
1	17321009	1	Cover Assy, Rocker		
2	17321010	1	Rocker Cover Gasket		
3A	52101261	5	Bolt DIN 931 M8-40 8.8		
3B	53033008	5	Washer GROWER DIN 127-8		
4	13221003	1	Cap Oil FILLER		
5	17721006	1	Hose,BREATHER		
6	17221023	1	Clamp		





D_MI55_1_3		Valve Drive			
FIG.	REF.	QTY	DESCR.	FROM	UPTO
1	17222055	4	Intake Valve		
2	17222056	4	Exhaust Valve		
3	17222057	8	Spring, Valve, INNER		
4	13822058	8	Retainer Valve SP		
5	13222059	16	Lock Valve		
6	13222054	8	Seal Valve Stem		
7	13822069	8	Cap Stem		
8	(*)	1	Not available [NP]		
8A	17222053	1	Bolt		
8B	17222050	2	Ring, SNAP		
8C	17222142	8	Rocker Assy		
8CA	17122060	8	Nut		
8CB	17122044	8	Screw Adjusting		
8D	17222048	1	Bracket, Rocker Shaft		
8E	17222049	3	Bracket, Rocker Shaft		
8F	17322046	1	Shaft Assy, Rocker		
8FA	17222025	2	Cap, Sealing		
8FB	17722046	1	Shaft Assy, Rocker [NP]		
8H	17122047	3	Spring		
8I	17122053	4	Bolt		

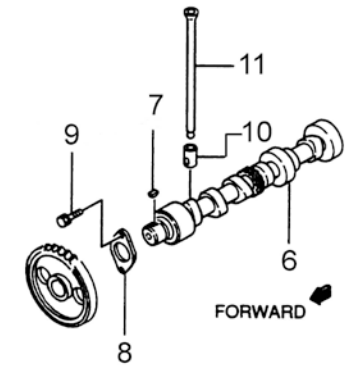
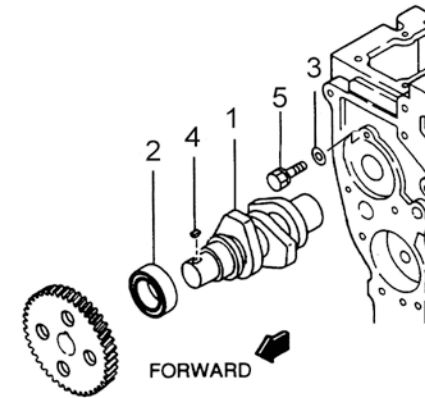
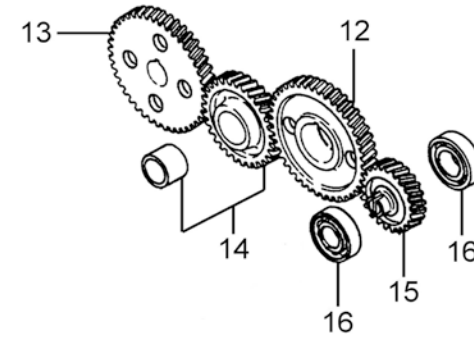


[NP] Not provided





D_MI55_1_4		Timing Parts				
FIG.	REF.	QTY	DESCR.	FROM	UPTO	
1	17322040	1	Shaft, Fuel Injection Pump			
2	13222062	1	Ball Bearing 6228			
3	17222065	1	Washer			
4	13222060	1	Key, Sunk [NP]			
5A	52102256	1	Bolt DIN 933 M8-15 8.8			
5B	53033008	1	Washer GROWER DIN 127-8			
6	17322035	1	CamShaft			
7	13222020	1	KEY			
8	17422075	1	Plate,THRUST			
9	17422037G.1	2	Bolt W/Washer (Generator)			
10	13222061	8	Tappet			
11	17222041	8	ROD, PUSH			
12	17222037	1	Gear, CamShaft			
13	17322043.1	1	Gear,Injection Pump			
14	17222038	1	Gear Assy, IDLER			
15	17222066G	1	Gear, PRESS. Oil Pump (Generator)			
16	17022067	2	Ball Bearing 6205-C3			

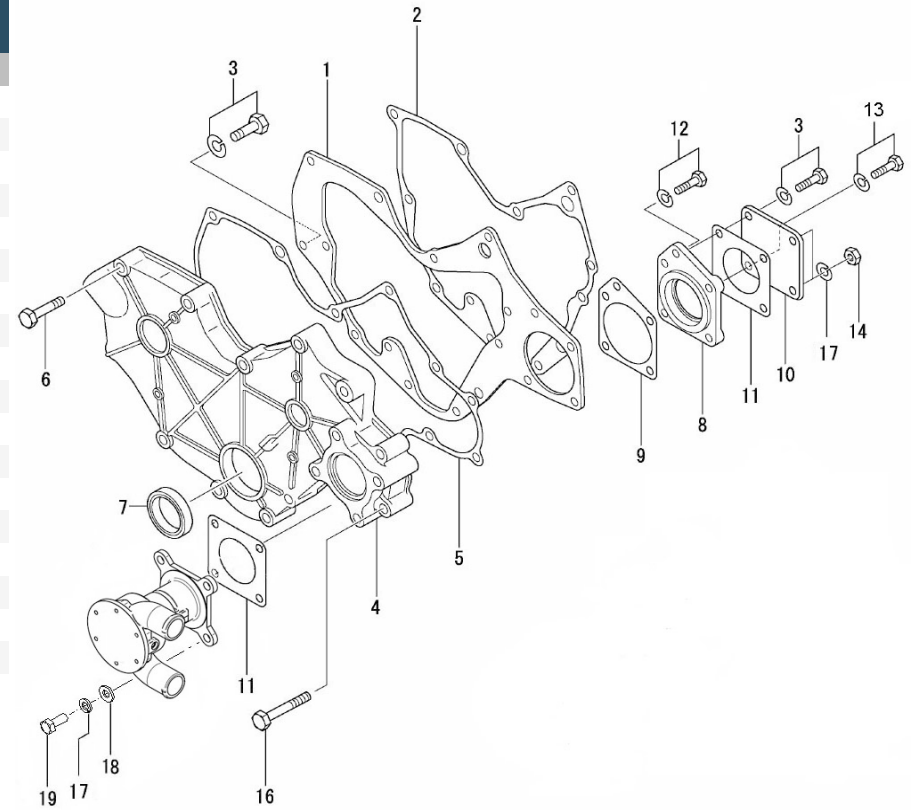


[NP] Not provided

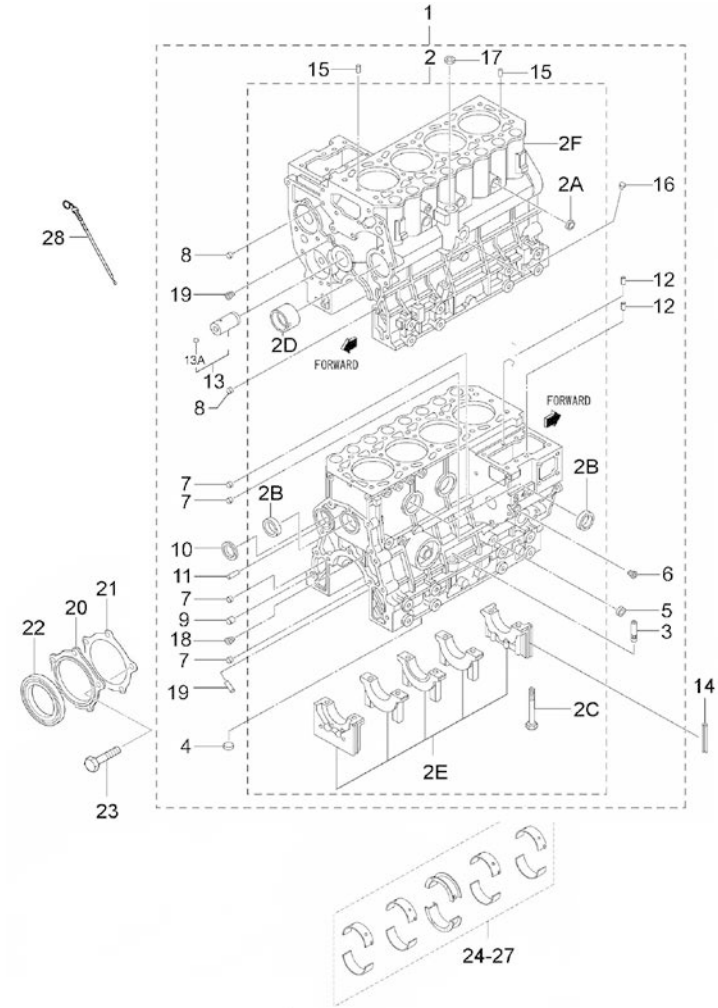




D_MI55_1_5		Gear Case				
FIG.	REF.	QTY	DESCR.	FROM	UPTO	
1	17220024	1	Plate, Front			
2	17220018	1	Gasket, Front Plate			
3	17422037G.1	5	Bolt W/Washer (Generator)			
4	17220035	1	Case Gear			
5	17220040	1	Gasket, Gear Case			
6	17220034	8	Bolt			
7	13220039	1	Seal Oil			
8	17220037	1	Housing, Gear Pump			
9	17220038	1	Gasket, Housing			
10	13120046	1	Cover Oil Pump SH			
11	13120047	2	Gasket Water Pump			
12	13322078	1	Bolt			
13	52101260	1	Bolt DIN 931 M8-35 8.8			
14	17120049	2	Nut M8			
15	52102256	4	Bolt DIN 933 M8-15 8.8			
16	17024062	2	Bolt			
17	53033008	6	Washer GROWER DIN 127-8			
18	51030008	4	Washer DIN 125-8			
19	52102259	4	Bolt DIN 933 M8-30 8.8			



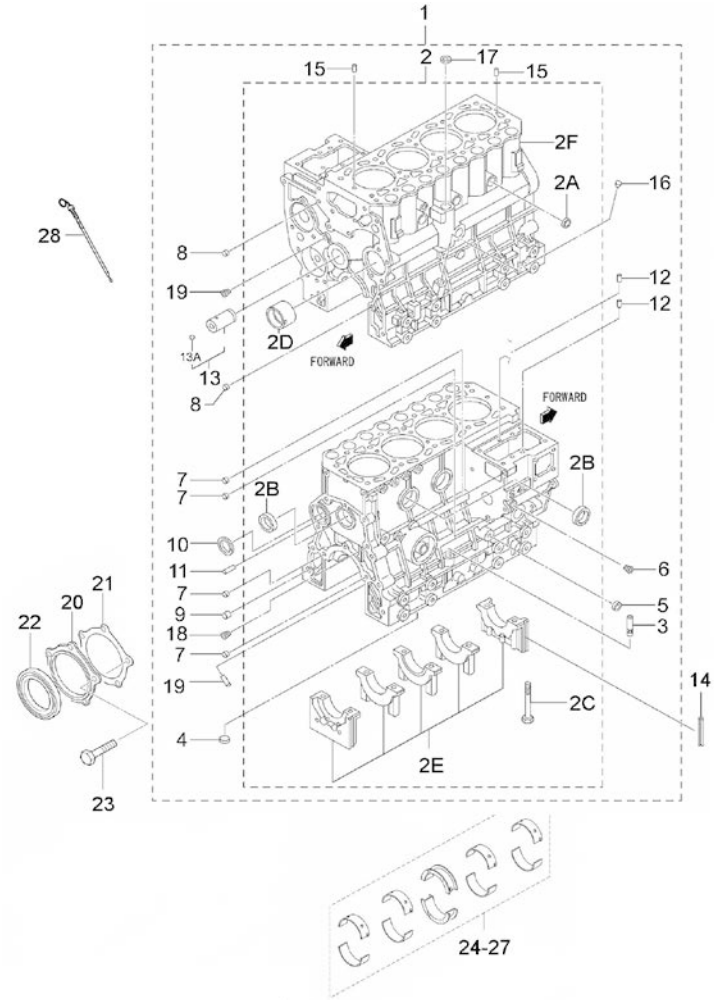
D_MI55_1_6		Cranckcase			
FIG.	REF.	QTY	DESCR.	FROM	UPTO
1	17720001	1	Block Assy,Cylinder		
2A	17220006	3	Cap, Sealing		
2B	13320006	3	Cap, Sealing		
2C	17220009	10	Bolt Bearing Cap		
2D	17220011	1	Bushing, CamShaft		
2E	(*)	2	Not available [NP]		
3	13220007	1	Guide		
4	17220012	1	Cap, Sealing		
5	17220013	1	Cap, Sealing		
6	17820011	1	Plug, Tapered [NP]	12/07/2017	
6	13120011	1	Plug, Tapered [NP]		12/07/2017
7	13120009	4	Bushing		
8	13220021	2	Bushing KNOCK		
9	13220022	1	BUSHING,KNOCK		
10	17220019	1	Plug, Expansion		
11	17620020.4	1	Pin	02/08/2017	
11	13220020	1	Pin [NP]		02/08/2017
12	13120036	2	Pin Dowel [NP]		02/08/2017
12	17620036.4	2	Pin Dowel	02/08/2017	
13	17220014	1	Shaft Assy, IDLER		
13A	17220028	1	Ball		
14	13124047	2	Shaft Oil Filter		
14	17220002	4	Seal, Side		
16	17020014	1	Cap		
16	17120019	2	Pin, dowel		
17	17220023	1	Plug, TAPER		
17	17720011	2	Plug,TAPERED		
18	17720012	4	Pipe,Oil JET		
20	17220015	1	Case, Oil Seal		
21	17220016	1	Gasket, Oil Seal Case		
22	17220063	1	Seal, Oil		
23	17220059	5	Bolt [NP]		
24	17720003	1	Bearing Set,MAIN STD.		
25	17720004	1	Bearing Set,MAIN U.S 0.25		
26	17720005	1	Bearing Set,MAIN U.S 0.50		



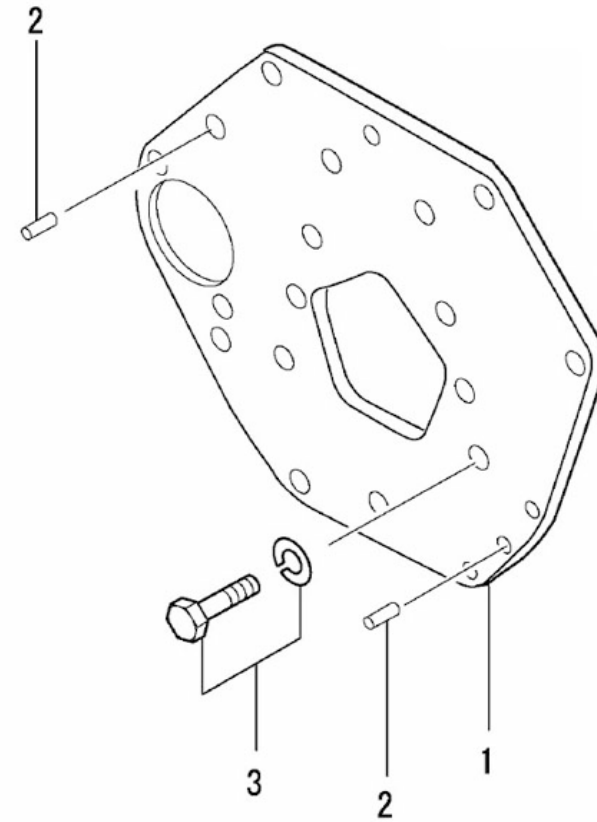
[NP] Not provided



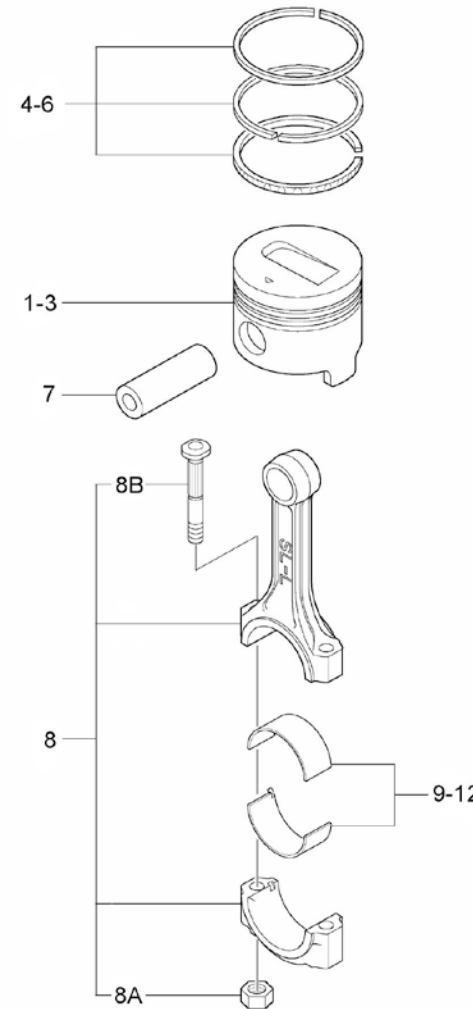
D_MI55_1_6 Cranckcase						
FIG.	REF.	QTY	DESCR.	FROM	UPTO	
27	17720006	1	Bearing Set,MAIN U.S 0.75			
28	17220029	1	Gauge Oil LEVEL			



D_MIC1_1_7		Rear Plate				
FIG.	REF.	QTY	DESCR.	FROM	UPTO	
1	17220017	1	Plate, REAR			
2	13220026	2	Pin KNOCK (10X12)			
3A	52202359	8	Bolt DIN 933 M12-1,25-30 8.8			
3B	53033008	8	Washer GROWER DIN 127-8			

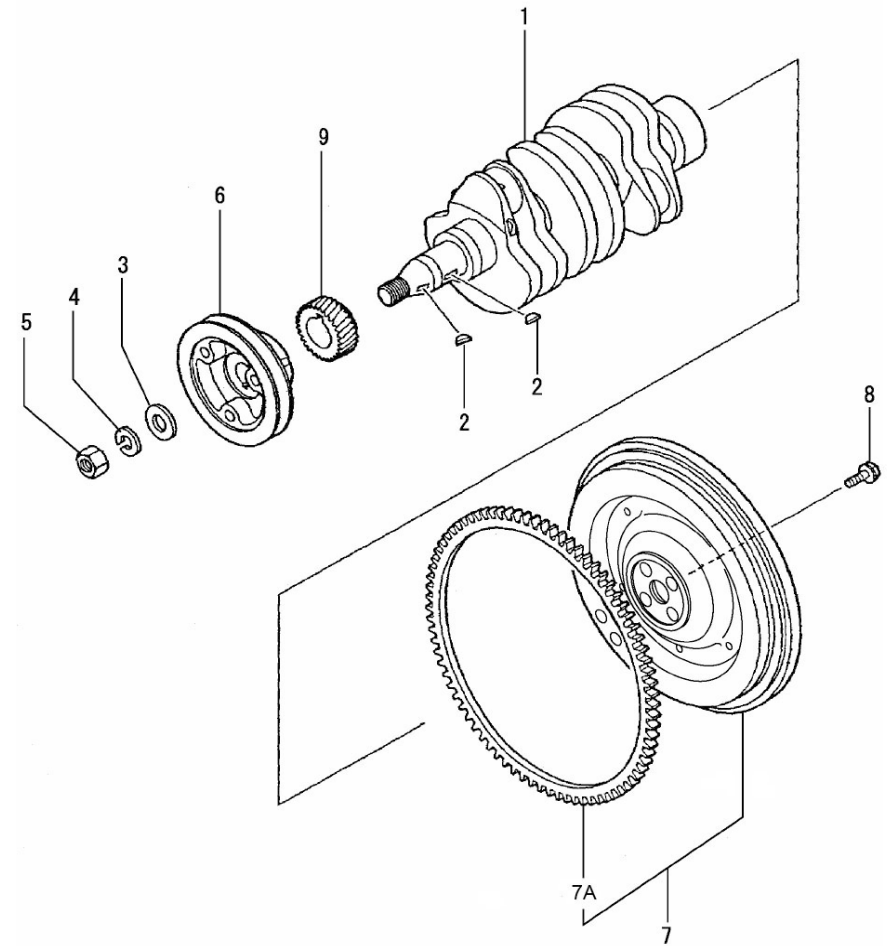


D_MI55_1_8					
Piston & Connection Rod					
FIG.	REF.	QTY	DESCR.	FROM	UPTO
1	17722001	4	Piston STD.		
2	17722002	4	Piston O.S 0.25		
3	17722003	4	Piston O.S 0.50		
4	17722006	4	Ring Set,Piston STD.		
5	17722007	4	Ring Set,Piston O.S 0.25		
6	17722008	4	Ring Set,Piston O.S 0.50		
7	17222009	4	Pin, Piston		
8	17322010	4	ROD Assy, CONNECTING		
8A	17022011	8	Nut,connecting rod		
8B	17222013	8	Bolt,connecting rod		
9	17222014	4	Metal Set, Con Rod STD.		
10	17222015	4	METAL Set, CON ROD - 0,25		
11	17222016	4	METAL Set, CON ROD - 0,50		
12	17222017	4	METAL Set, CON ROD - 0,75		

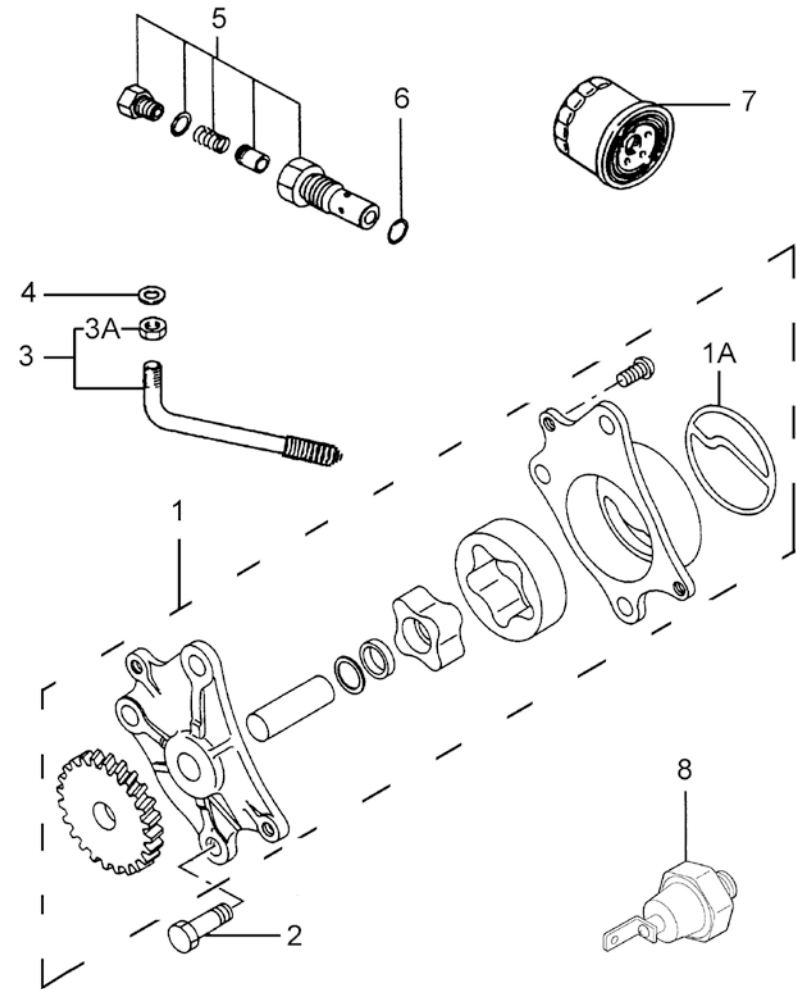




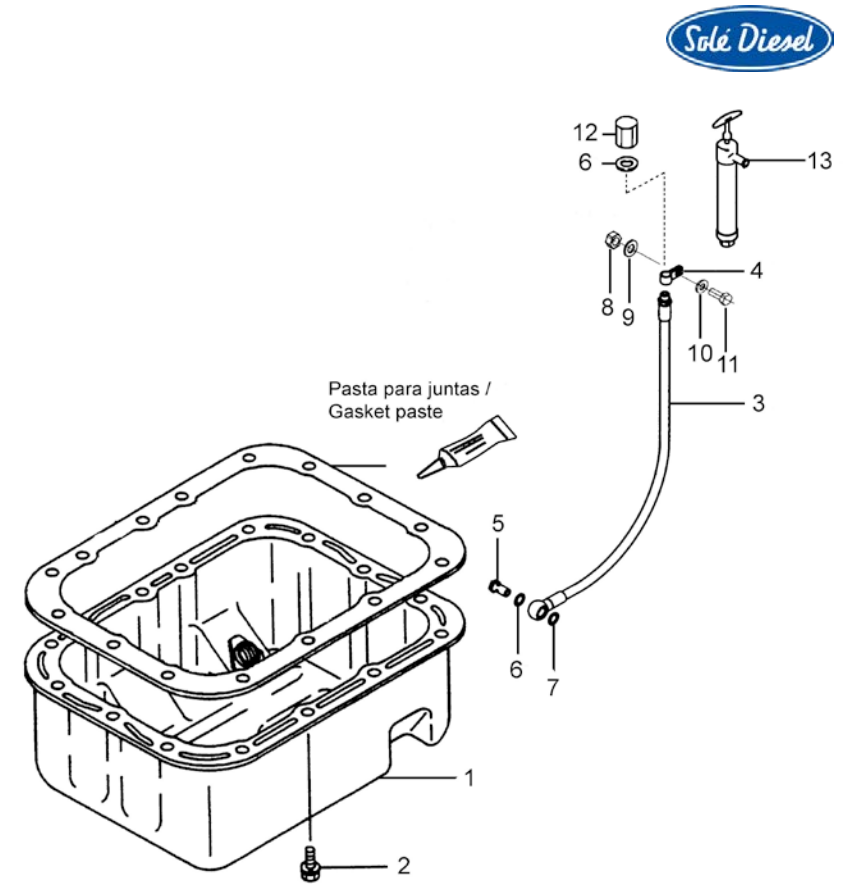
D_MI55_1_9		Crankshaft & Flywheel			
FIG.	REF.	QTY	DESCR.	FROM	UPTO
1	17322018	1	CrankShaft		
2	13222020	2	KEY		
3	17222051	1	Washer, Plain		
4	53033018	1	Washer GROWER DIN 127-18		
5	13222026	1	Nut		
6	17322024	1	Pulley CrankShaft		
7	17322027	1	Flywheel Sub Assy		
7A	13222029	1	Gear		
8	17022031	4	Bolt Drive		
9	17222021	1	Gear, CrankShaft		



D_MI55_1_10		Oil System				
FIG.	REF.	QTY	DESCR.	FROM	UPTO	
1	17224040	1	Pump Assy, Oil			
1A	17224041	1	Packing, Body			
2	52102257	3	Bolt DIN 933 M8-20 8.8			
3	13224052	1	SCREEN Assy Oil			
3A	13822026	1	Nut			
4	17024001	1	Gasket			
5	17524071	1	Valve Assy,RELIEF			
6	17424063	1	Gasket			
7	13124051	1	Filter Oil Element			
8	17127027	1	SWITCH, oil pressure			



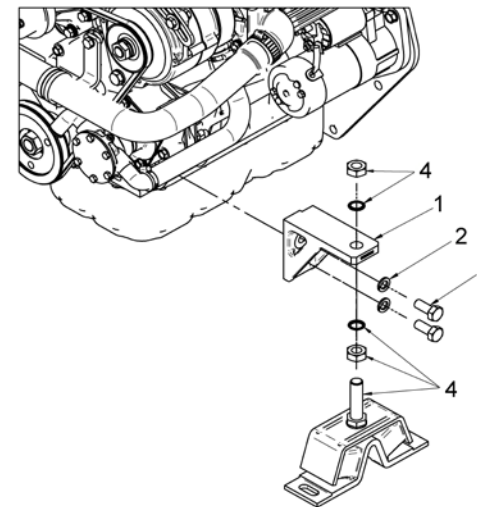
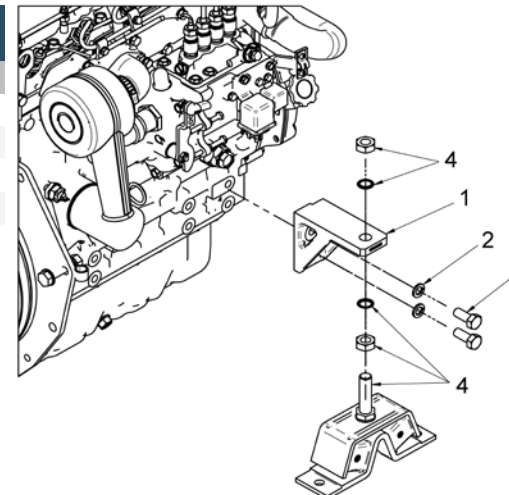
D_MI55_1_11		Oil Pan				
FIG.	REF.	QTY	DESCR.	FROM	UPTO	
1	17320030	1	Pan Assy, Oil [NP]			
2A	52102256	17	Bolt DIN 933 M8-15 8.8			
2B	53033008	17	Washer GROWER DIN 127-8			
3	17214021	1	ExtraCTION, Hose			
4	17214022	1	Bracket, Pipe			
5	12814051	1	Screw,eye			
6	56000219	2	Washer 14-20-3			
7	56000069	1	Washer 14-20-1,5			
8	52220012	1	Nut DIN 934 M12-1,25 8.8			
9	51030012	1	Washer DIN 125-12			
10	53038012	1	Washer DIN 6798-A 12			
11	52202363	1	Bolt DIN 933 M12-1,25-50 8.8			
12	16514020	1	Plug			
13	14714001	1	Pump,oil Suction			



[NP] Not provided

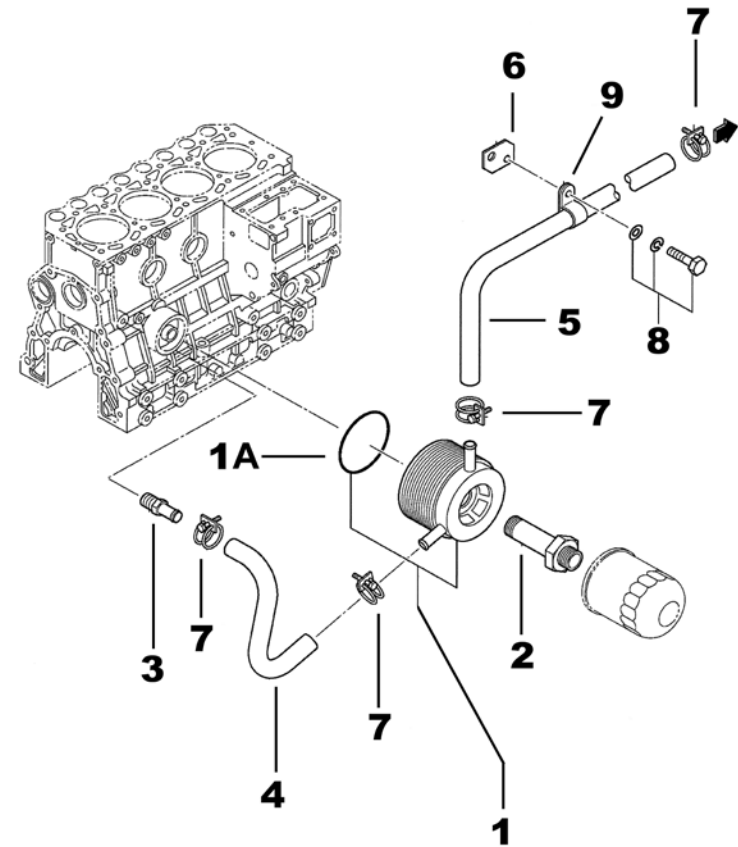


D_MIC1_1_12		Engine Brackets			
FIG.	REF.	QTY	DESCR.	FROM	UPTO
1	17210028	2	Bracket, Front	08/10/2014	
2	53033012	4	Washer GROWER DIN 127-12		
3	52202359	4	Bolt DIN 933 M12-1,25-30 8.8		
4	61673000	4	Anti Vibration Mount Type E 60SHA		



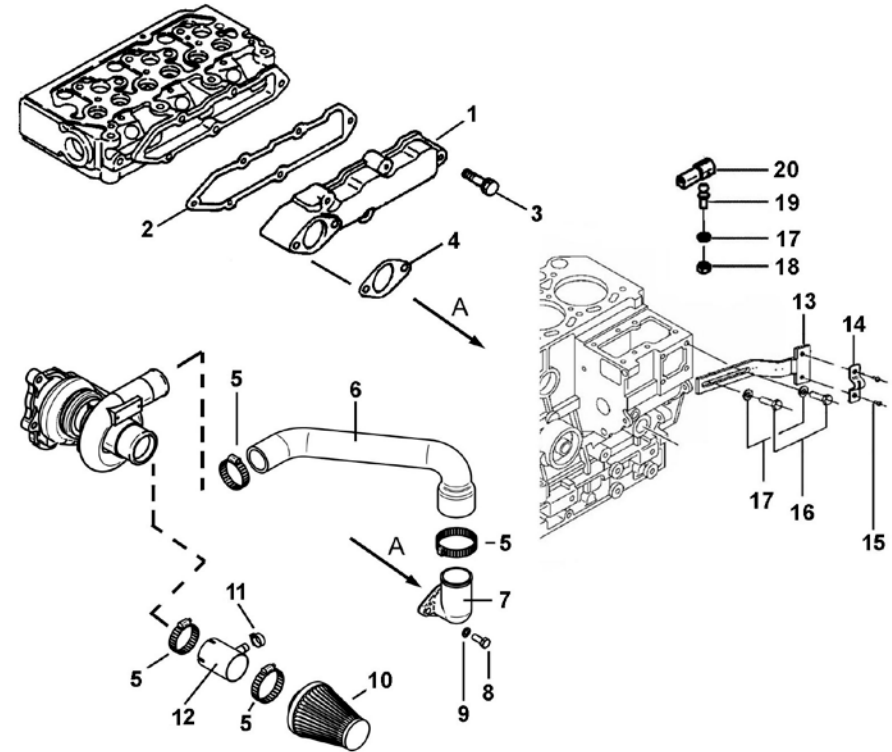


D_MI55_1_13		Oil Cooler				
FIG.	REF.	QTY	DESCR.	FROM	UPTO	
1	17724085	1	Cooler Assy,Oil			
1A	17724086	1	O-Ring			
2	17724087	1	Connector			
3	17724088	1	JOINT,Water			
4	17724089	1	Hose,Water			
5	17724090	1	Hose			
6	17724091	1	STAY			
7	17121036	4	Clamp, hose			
8	13325011	1	Bolt			
9	17724092	1	Clip			



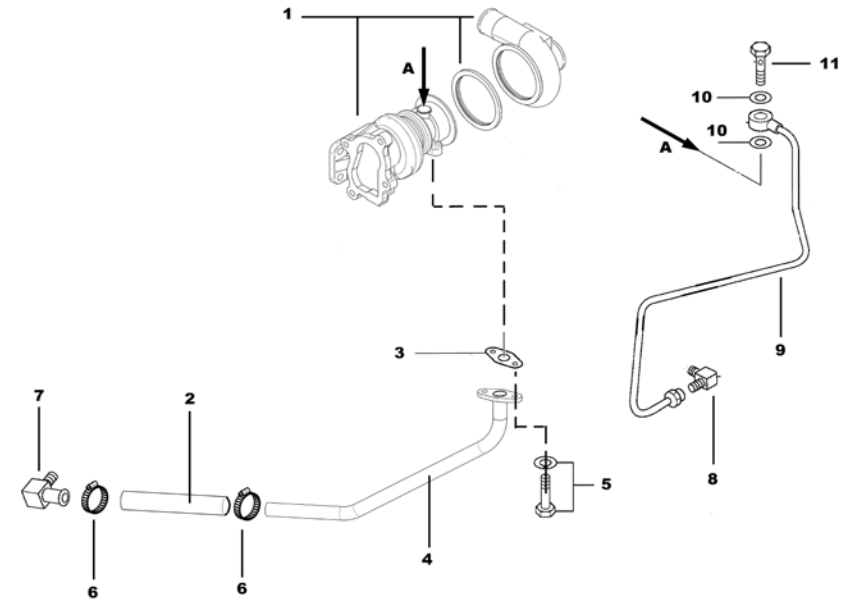


D_MI55_2_1		Inlet				
FIG.	REF.	QTY	DESCR.	FROM	UPTO	
1	17721030	1	Cover,Inlet			
2	17321032.1	1	Gasket,Inlet Cover			
3	52101260	5	Bolt DIN 931 M8-35 8.8			
4	17221034	1	Gasket, Inlet Pipe			
5	54082032	4	Clamp DIN 3017 32-50/12 W4			
6	17710009	1	Inlet Pipe			
7	17721029	1	Pipe,Inlet			
8	52102257	2	Bolt DIN 933 M8-20 8.8			
9	53038008	2	Washer DIN 6798-A 8			
10	17710012	1	Air Filter			
11	54081008	1	Clamp DIN 3017 8-16 W4			
12	17710010	1	TUYAU			
13	17719003	1	Bracket, Engine Control			
14	14719013	1	Clamp,cable			
15	55307104	2	Bolt DIN 86 W3/16-10			
16	52102157	2	Bolt DIN 933 M6-20 8.8			
17	51030006	3	Washer DIN 125-6			
18	52120006	1	Nut DIN 934 M6 8.8			
19	14419023	1	Ball JOINT			
20	15119015	1	CABLE Holder Ball			

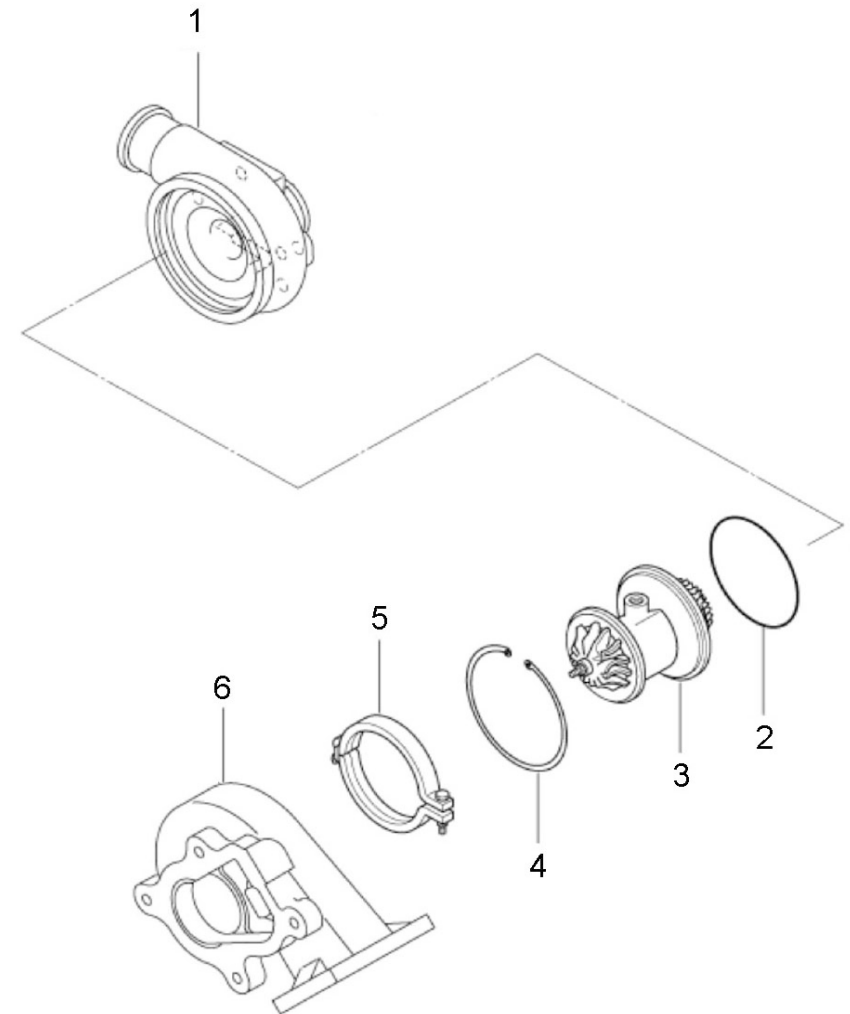




D_MI55_2_2 Turbocharger						
FIG.	REF.	QTY	DESCR.	FROM	UPTO	
1	17728002	1	Turbocharger MINI-55			
2	17728007	1	Hose,Oil			
3	17712004	1	Gasket			
4	17712005	1	Pipe			
5	17620054	2	Bolt			
6	54082025	2	Clamp DIN 3017 25-40/12 W4			
7	17728008	1	Elbow			
8	17712007	1	HOUSE 1/8" GAS			
9	17712006	1	Pipe			
10	56000061	2	Washer 10-16-1,5			
11	17728006	1	Screw, Racord			



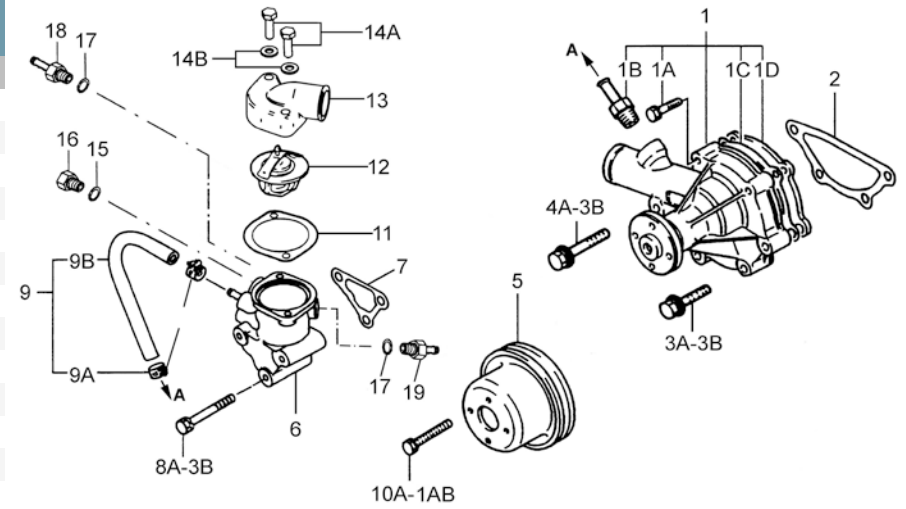
D_MI55_2_3		Spare parts, Turbocharger			
FIG.	REF.	QTY	DESCR.	FROM	UPTO
1	17728002.1	1	Turbocharger, Couch		
2	17728002.2	1	Gasket, CONCH		
3	17728002.6	1	Rotor,Turbine		
4	17728002.10	1	Ring,Snap		
5	17728002.9	1	Coupling Assy		
6	17728002.8	1	Turbine Housing Assy [NP]		
NS	17728002.7	1	Pin [NS]		



[NP] Not provided
 [NS] Not shown

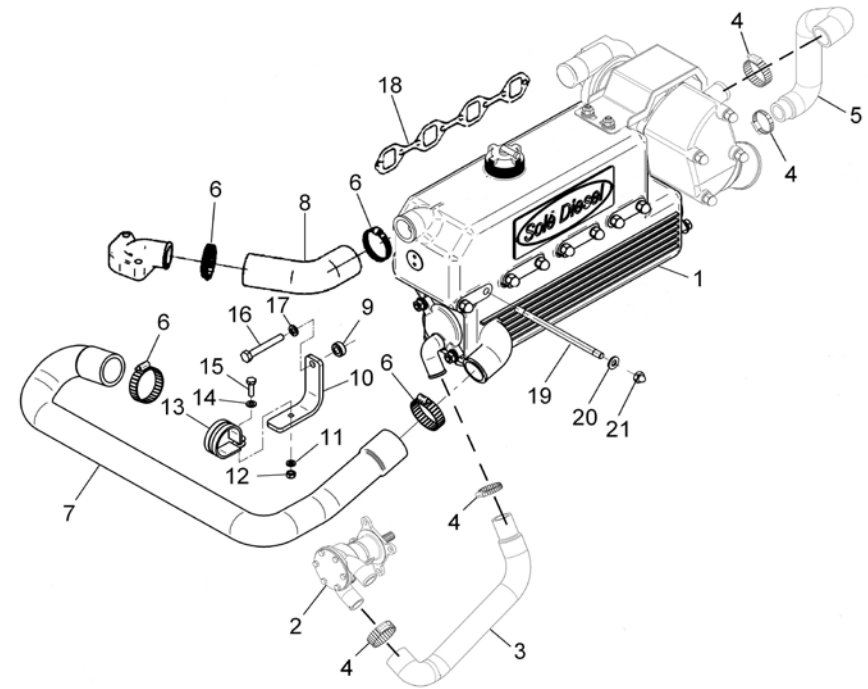


D_MI55_3_1		Water Pump			
FIG.	REF.	QTY	DESCR.	FROM	UPTO
1	17721020	1	Pump Assy,Water		
1AA	52102159	2	Bolt DIN 933 M6-30 8.8		
1AB	53033006	6	Washer GROWER DIN 127-6		
1B	17721026	1	JOINT,Water Hose		
1C	13221041	1	Gasket Water Pump		
1D	13221042	1	Plate Water Pump		
2	13221022	1	Gasket Water Pump		
3A	52101262	3	Bolt DIN 931 M8-45 8.8		
3B	53033008	7	Washer GROWER DIN 127-8		
4A	52101265	1	Bolt DIN 931 M8-60 8.8		
5	17221021	1	Pulley,Water Pump		
6	17221037	1	Assy Thermostat		
7	17221033	1	Gasket, Thermostat Case		
8A	13224062	3	Bolt		
9	17221025	1	Hose Assy		
9A	17221023	2	Clamp		
9B	17721024	1	Hose,BY-PASS		
10A	52102155	4	Bolt DIN 933 M6-12 8.8		
11	17221031	1	Gasket,Thermostat		
12	17221027	1	Thermostat		
13	17211020	1	Fitting, Water Outlet		
14A	52101260	2	Bolt DIN 931 M8-35 8.8		
14B	53038008	2	Washer DIN 6798-A 8		
15	17121013	1	Gasket		
16	17121016	1	Plug, drain		
17	56000073	2	Copper Washer 16-23-1,5		
18	60900980	1	Temperature Sensor		
19	60900070	1	Thermo-Switch 97°C		





D_MI55_3_2		Cooler Pipes				
FIG.	REF.	QTY	DESCR.	FROM	UPTO	
1	17711000	1	Water Cooler,Assy MINI-55 [NP]			
2	37711000	1	3/4" Water Pump Set			
3	17711003	3	Elbow			
4	54081020	4	Clamp DIN 3017 20-32/9 W4			
5	17711002	1	Elbow			
6	54082032	4	Clamp DIN 3017 32-50/12 W4			
7	17211006	1	Hose			
8	17211021	1	Elbow			
9	12117044	1	Spacer			
10	17211029	1	Bracket, Pipe			
11	53033006	1	Washer GROWER DIN 127-6			
12	52120006	1	Nut DIN 934 M6 8.8			
13	51071373	1	Clamp 31-40/15 W1			
14	51030006	1	Washer DIN 125-6			
15	52102157	1	Bolt DIN 933 M6-20 8.8			
16	52101265	1	Bolt DIN 931 M8-60 8.8			
17	53033008	1	Washer GROWER DIN 127-8			
18	17321035	1	Gasket			
19	17211015	8	MANIFOld MOUNTING Stud			
20	56000057	8	Washer 8-13-1,5			
21	55122008	8	Nut DIN 1587 M8			

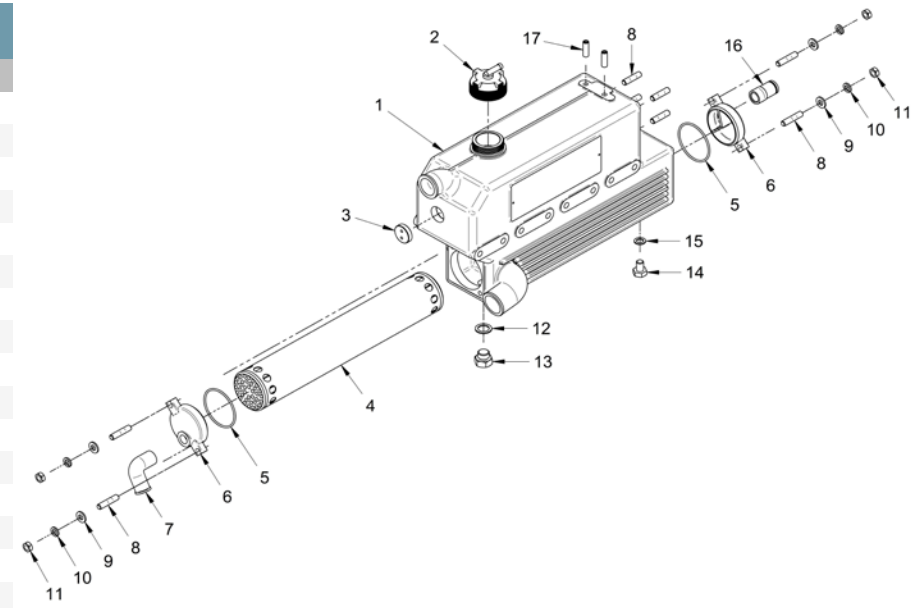


[NP] Not provided





17711000		Water Cooler, Assy MINI-55			
FIG.	REF.	QTY	DESCR.	FROM	UPTO
1	17711001	1	Body, Water Cooler [NP]		
2	13811010	1	Cap		
3	12113092	1	Plug		
4	17011004	1	Element, water cooler		
5	13811007	2	O-Ring D. 57X2,5		
6	13811002	2	Cover, water cooler		
7	13211027	1	Water Inlet Bend		
8	13311006	8	Stud, cover		
9	51030008	4	Washer DIN 125-8		
10	53033008	4	Washer GROWER DIN 127-8		
11	54120008	4	Nut DIN 934 M8		
12	56000073	1	Copper Washer 16-23-1,5		
13	12111076	1	Plug		
14	54102306	1	Bolt DIN 933 M10-16 INOX.		
15	56000061	1	Washer 10-16-1,5		
16	13211031	1	Raccord 1/2"		
17	52111258	2	ROD DIN 913 M8-25 8.8		

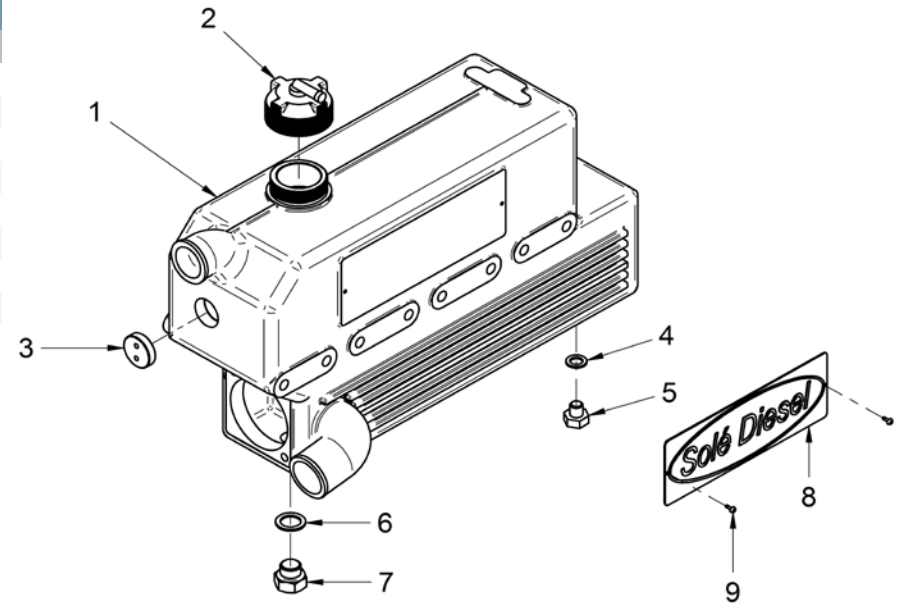


[NP] Not provided





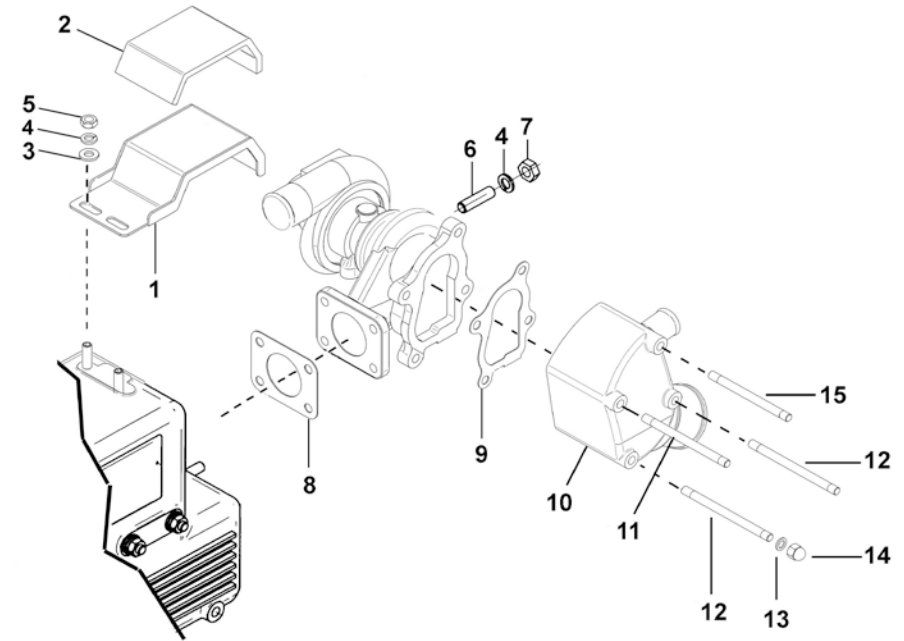
17711001C		Body, Water Cooler and Cap			
FIG.	REF.	QTY	DESCR.	FROM	UPTO
1	17711001	1	Body, Water Cooler [NP]		
2	13811010	1	Cap		
3	12113092	1	Plug		
4	56000061	1	Washer 10-16-1,5		
5	54102306	1	Bolt DIN 933 M10-16 INOX.		
6	56000073	1	Copper Washer 16-23-1,5		
7	12111076	1	Plug		
8	17111060	1	Plate "SOLE Diesel" [NP]		
9	17111062	2	Bolt		



[NP] Not provided

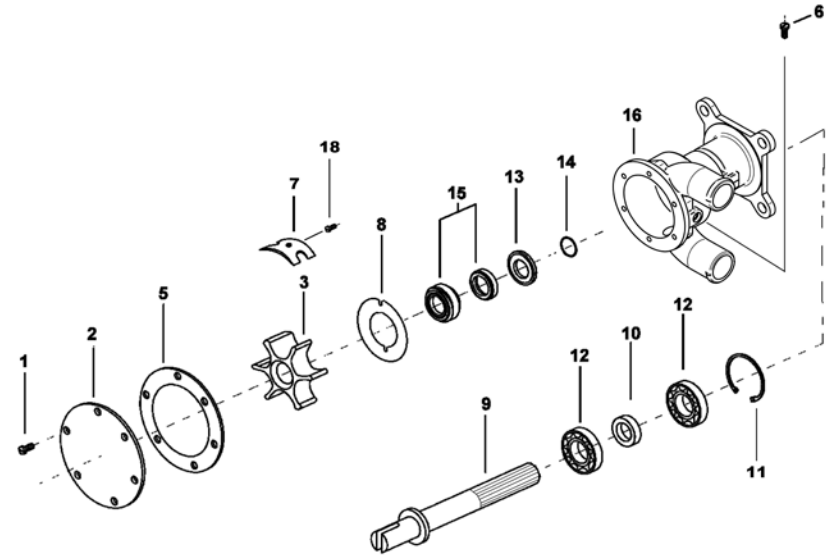


D_MI55_3_3		Wet Exhaust				
FIG.	REF.	QTY	DESCR.	FROM	UPTO	
1	17713002	1	TERMIC, BUCKLERS			
2	17713002.3	1	Termic, Bucklers			
3	51030008	2	Washer DIN 125-8			
4	53033008	6	Washer GROWER DIN 127-8			
5	54120008	2	Nut DIN 934 M8			
6	13311006	4	Stud, cover			
7	52120008	4	Nut DIN 934 M8 8.8			
8	17713003	1	Gasket			
9	17713016	1	Gasket			
10	17713015.2	1	Elbow, Wet Exhaust	17/10/2017		
10	17713015	1	Elbow, Wet Exhaust		17/10/2017	
11	17713005	1	Stud			
12	17713004	2	Stud			
13	56000057	4	Washer 8-13-1,5			
14	55122008	4	Nut DIN 1587 M8			
15	17713006	1	Stud			





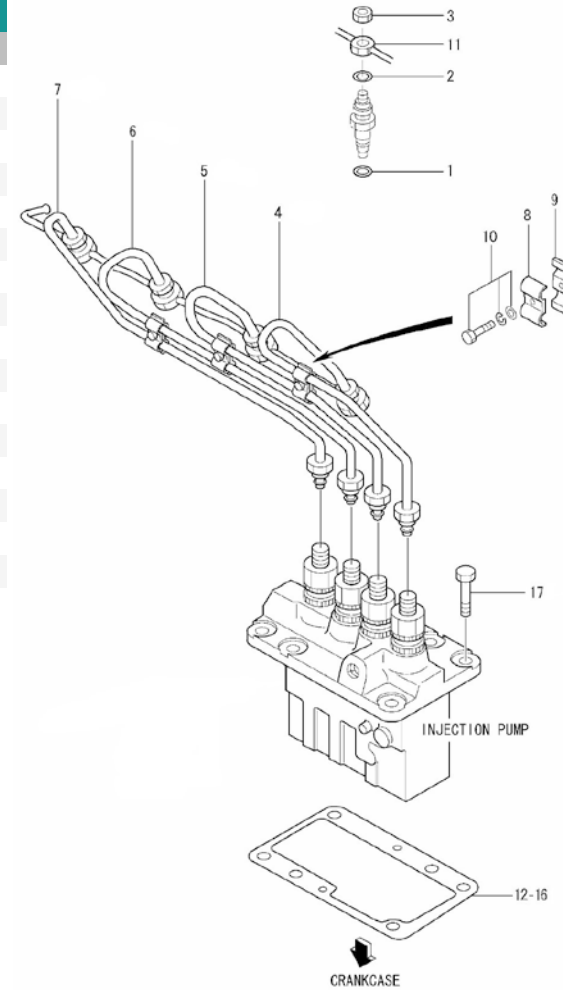
37711000		3/4" Water Pump Set			
FIG.	REF.	QTY	DESCR.	FROM	UPTO
1	54102104	6	Bolt DIN 933 M5-10 INOX.		
2	31211002	1	Cover Pump		
3	35111008	1	3/4" Impeller		
5	35211003	1	Gasket,cover		
6	55307104	1	Bolt DIN 86 W3/16-10		
7	37711005	1	Cam		
8	35211026	1	Plate,friction		
9	37711010	1	Shaft,Water Pump		
10	37711015	1	Bushing,Spacer		
11	53041035	1	CIRClip DIN 472 I-35		
12	37711014	2	Ball Bearing 6202		
13	33411020	1	Seal		
14	33311013	1	O-Ring D. 15X2		
15	33411019	1	Seal		
16	37711001	1	Body,Water Pump		
18	33411017	1	Pin,Dowel		
NS	34711041	1	Impeller Plug [NS]		



[NS] Not shown



D_MI55_4_1 Fuel Pipe						
FIG.	REF.	QTY	DESCR.	FROM	UPTO	
1	13824013	4	Injector Washer			
2	13824025	4	Injector Gasket			
3	13824024	4	Nut			
4	17224015	1	Pipe Injection N.1			
5	17224016	1	Pipe Injection N.2			
6	17224019	1	Pipe Injection N.3			
7	17324020	1	Pipe Injection N.4			
8	13124018	3	Clamp (A)			
9	13124017	3	Clamp (B)			
10	17524025	3	Bolt,W/Washer			
11	17324002	1	Assy,Fuel Return			
12	13224008	0	Shim Adjusting T=0,7MM. [VAR]			
13	13224009	0	Shim Adjusting T=0,8MM. [VAR]			
14	13224010	0	Shim Adjusting T=0,9MM. [VAR]			
15	13224011	0	Shim Adjusting T=1,0MM. [VAR]			
16	13224003	0	Shim Adjusting T=0,2MM. [VAR]			
17	17220059	6	Bolt [NP]			

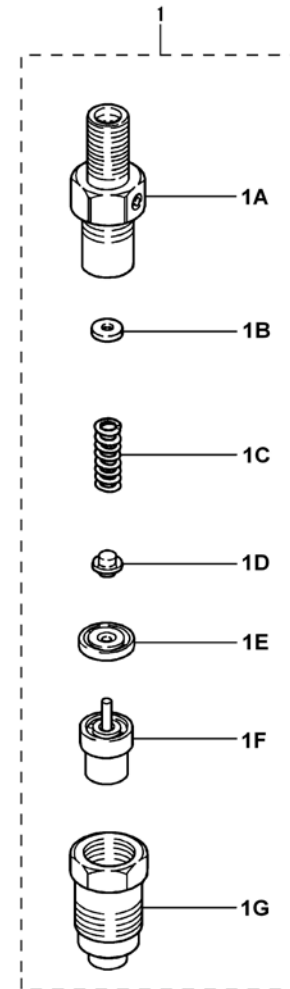


[NP] Not provided

[VAR] Variable according to repair



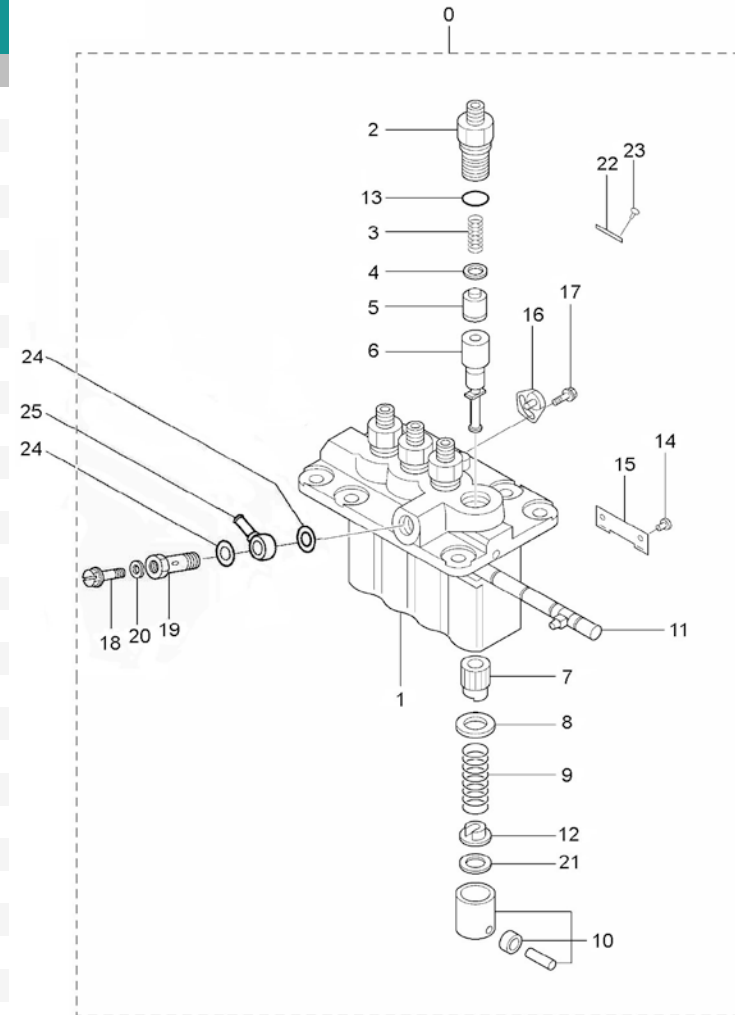
D_MID1_4_2		Injection Nozzle				
FIG.	REF.	QTY	DESCR.	FROM	UPTO	
1	13826001	4	Nozzle & Holder A			
1A	13826002	4	Body Assy			
1BA	13826010	0	Washer 1,25 [VAR]			
1BB	13826011	0	Washer 1,30 [VAR]			
1BC	13826012	0	Washer 1,35 [VAR]			
1BD	13826013	0	Washer 1,40 [VAR]			
1BE	13826014	0	Washer 1,45 [VAR]			
1BF	13826015	0	Washer 1,50 [VAR]			
1BG	13826016	0	Washer 1,55 [VAR]			
1BH	13826017	0	Washer 1,60 [VAR]			
1BI	13826019	0	Washer 1,65 [VAR]			
1BJ	13826020	0	Washer 1,70 [VAR]			
1C	17226004	4	Spring, Pressure			
1D	13826003	4	Pin Pressure			
1E	13826007	4	PIECE DISTANCE			
1F	13826018	4	Nozzle Assy			
1G	17226006	4	Nut, Nozzle RETAINING			



[VAR] Variable according to repair



D_MI55_4_3		Fuel Injection Pump			
FIG.	REF.	QTY	DESCR.	FROM	UPTO
1	17325005	1	Housing SUB Assy		
2	13125004	4	Holder DELIVERY V		
3	17225002	4	Spring DELIVERY Valve		
4	13925007G	4	Gasket DELIVERY V [NP]		
5	17225008	4	Valve SUB Assy		
6	13425009	4	Element Assy Pump		
7	13125010	4	SLEEVE		
8	13125011	4	Seat Spring Upper		
9	13125012	4	Spring Plunger		
0	17725001	1	Pump Assy,Fuel INJ		
10	13125021	4	Tappet SUB Assy		
11	17025006	1	RACK Control		
12	13125013	4	Seat Spring LOWER		
13	17225033	4	O-Ring D. 15X2,5 [NP]		
14	13125022	4	Pin Tappet Guide		
15	13125023	2	Plate		
16	13125030	3	Plate Assy Pressure		
17	17225028	3	Bolt, With Washer		
18	13125026	1	Screw Air BRETATH		
19	13325201	1	Screw,HOLLOW [NP]		
20	17225025	1	Washer, Pipe Union		
21A	13125014	0	Shim T=0.60 [VAR]		
21B	13125015	0	Shim T=0.20 [VAR]		
21C	13125016	0	Shim T=0.30 [VAR]		
21D	13125017	0	Shim T=0.40 [VAR]		
21E	13125018	0	Shim T=0.50 [VAR]		
21F	13125019	0	Shim T=0.25 [VAR]		
21G	13125020	0	Shim T=0.35 [VAR]		
21H	13725021	0	Shim Adjusting T=0,45MM. [VAR]		
21I	13725022	0	Shim Adjusting T=0,55MM. [VAR]		
21J	13725023	0	Shim Adjusting T=0,65MM. [VAR]		
22	(*)	1	Not available [NP]		
23	13125003	2	RIVET		
24	13224001	2	Washer		
25	17324017	1	COLOR, Union		

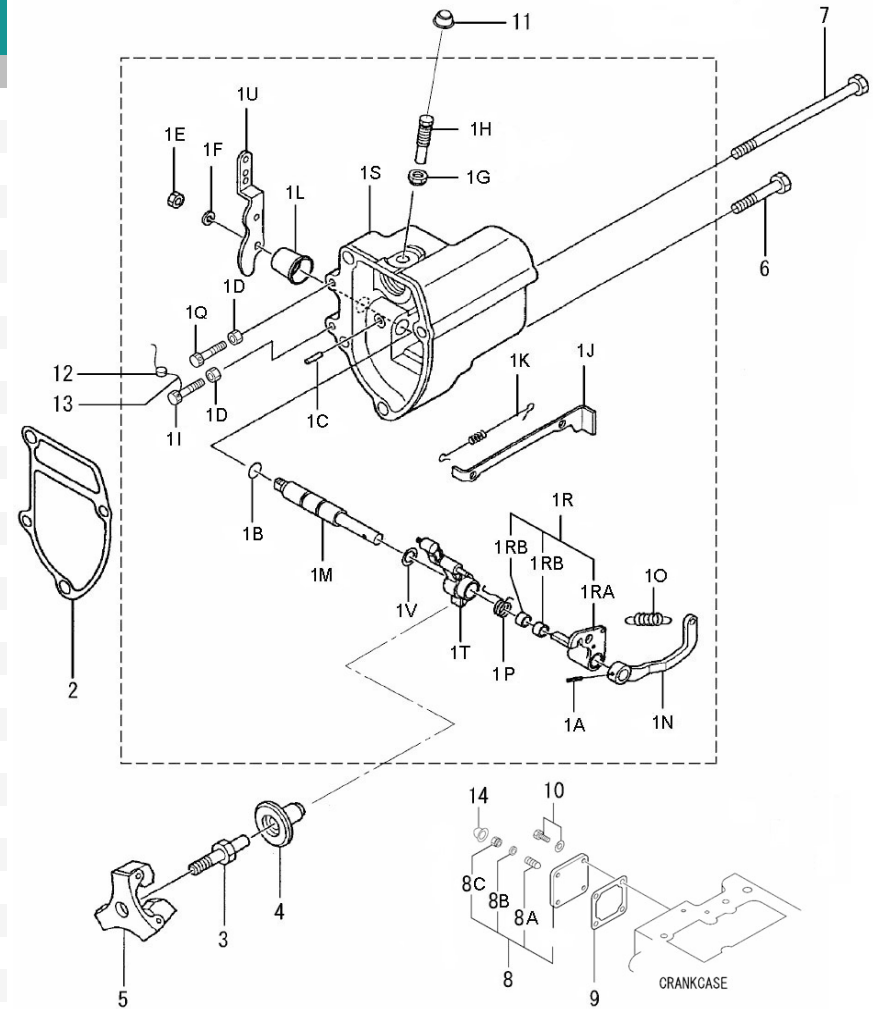


[NP] Not provided

[VAR] Variable according to repair



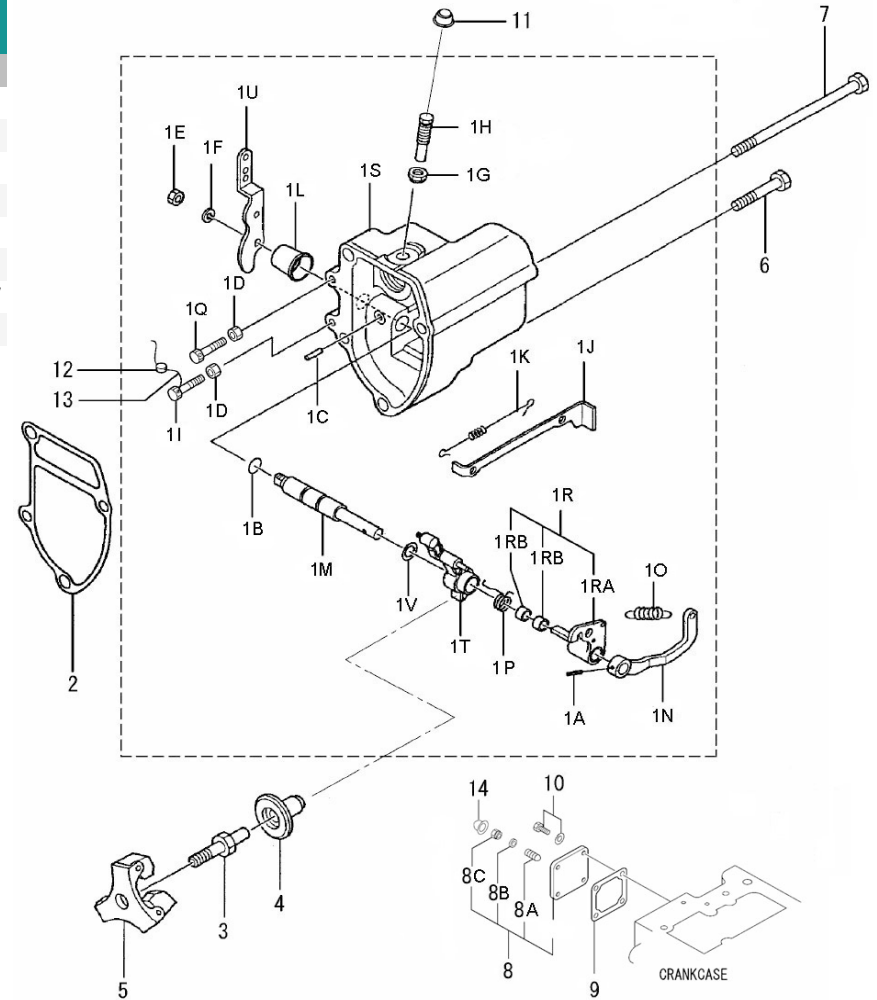
D_MI55_4_4		Governor Parts			
FIG.	REF.	QTY	DESCR.	FROM	UPTO
1	17723000	1	Case Assy,GOVERNOR		
1A	17223009	1	Pin, Spring		
1B	17223046	1	O-Ring D. 10X2,5		
1C	13123009	1	Pin GROOVED		
1D	52120006	2	Nut DIN 934 M6 8.8		
1E	17223030	1	Nut		
1F	53033008	1	Washer GROWER DIN 127-8		
1G	17223035	1	Nut		
1H	13823034	1	RACK Set Screw (new)		
1I	17223017	1	Bolt		
1J	17323048	1	Lever TIE-ROD [NP]		
1K	17323049	1	Spring TIE-ROD		
1L	17223036	1	Cover, Governor		
1M	17223006	1	Shaft, GOVERNOR		
1N	17223003	1	Lever, Governor		
1O	13823015	1	Spring GOVERNOR		
1P	17223028	1	Spring		
1QA	17223029	1	Lever Assy		
1QB	13220034	2	Roller Bearings		
1R	17723025	1	Bolt Low Idle Set [NP]		
1S	17223019	1	Case, Governor		
1T	17223007	1	Lever, Governor		
1U	17323008	1	Lever, SPEED Control		
1V	17223047	1	Shim, Governor Shaft [NP]		
2	17223033	1	Gasket, Governor Case		
3	17223050	1	Shaft, SLIDING SLEEVE		
4	17223031	1	SLEEVE, SLIDING		
5	17223001	1	WEIGHT Assy, GOVERNOR		
6	17220034	3	Bolt		
7	17723043	1	Bolt,GOVERNOR Case		
8	17723014	1	Cover Assy,TIE-ROD		
8A	(*)	1	Not available [NP]		
8B	13423022	1	Screw Adjusting		
8C	17023020	1	Gasket		
8D	13423021	1	Nut SPECIAL (6)		



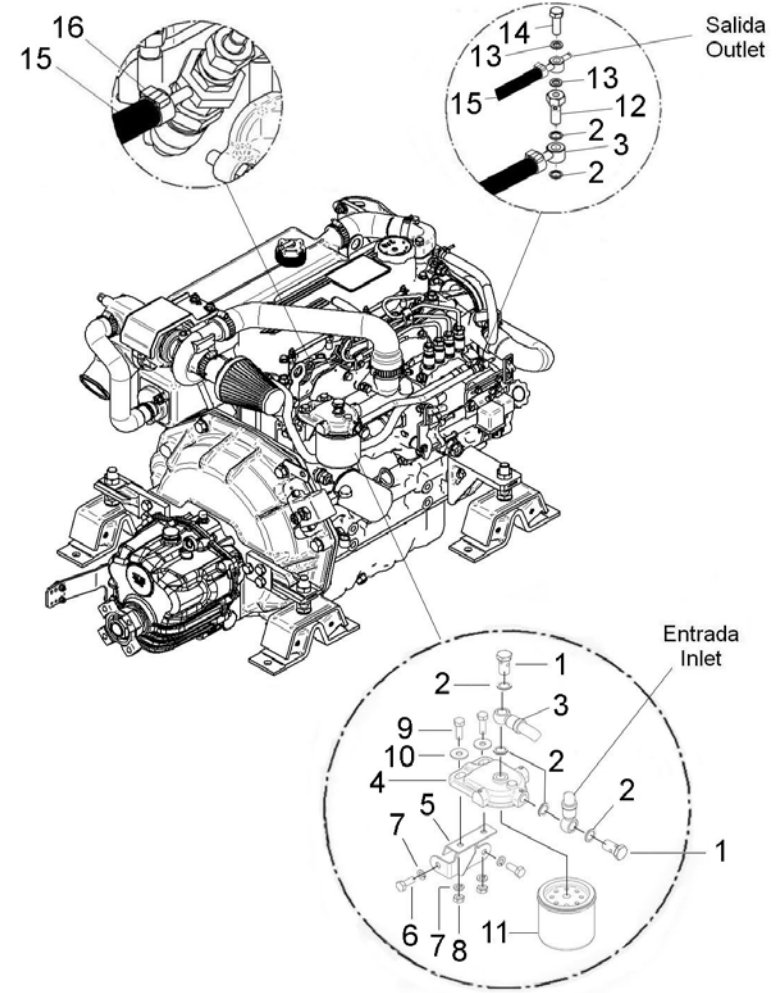
[NP] Not provided



D_MI55_4_4		Governor Parts			
FIG.	REF.	QTY	DESCR.	FROM	UPTO
9	13223014	1	Gasket Cover		
10A	52102256	4	Bolt DIN 933 M8-15 8.8		
10B	53033006	4	Washer GROWER DIN 127-6		
11	17623042	1	Cap TORQUE Set SE [NP]		
12	13123019	1	Metal Sealing		
13	17623020.4	1	Metal,Fuel	02/08/2017	
13	13123020	1	Metal,Fuel [NP]		02/08/2017
14	13423023	1	Cap Sealling		

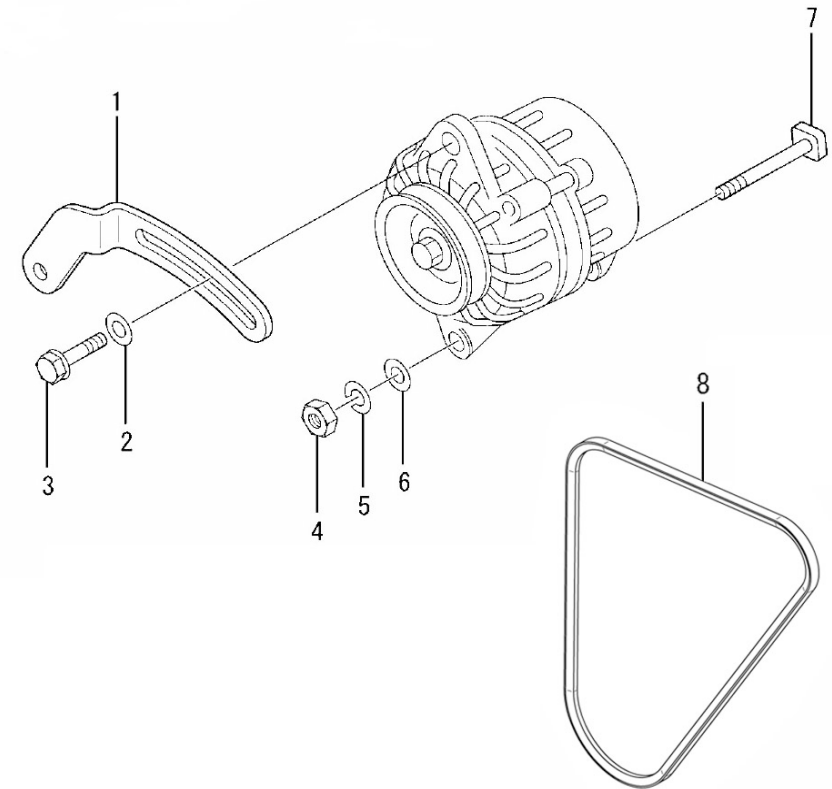


D_MI55_4_5 Fuel Supply Parts						
FIG.	REF.	QTY	DESCR.	FROM	UPTO	
1	12814051	2	Screw,eye			
2	57000369	6	Washer 14,2-20-1,5			
3	17714003	1	Pipe, Filter TO INJEC. Pump			
4	13114120	1	Cover,filter f/.SMI			
5	17714001	1	Bracket, Gas-Oil Filter			
6	52102257	2	Bolt DIN 933 M8-20 8.8			
7	53033008	4	Washer GROWER DIN 127-8			
8	52120008	2	Nut DIN 934 M8 8.8			
9	52102259	2	Bolt DIN 933 M8-30 8.8			
10	51031008	2	Washer DIN 9021 8			
11	13114022	1	Gas-Oil Filter Element			
12	13114021	1	Coupling,cover filter			
13	57000353	2	Washer 6,2-11-1,5			
14	13114007	1	Screw SHORT Connector			
15	17214018	1	Assy,Fuel Return			
16	54081008	1	Clamp DIN 3017 8-16 W4			



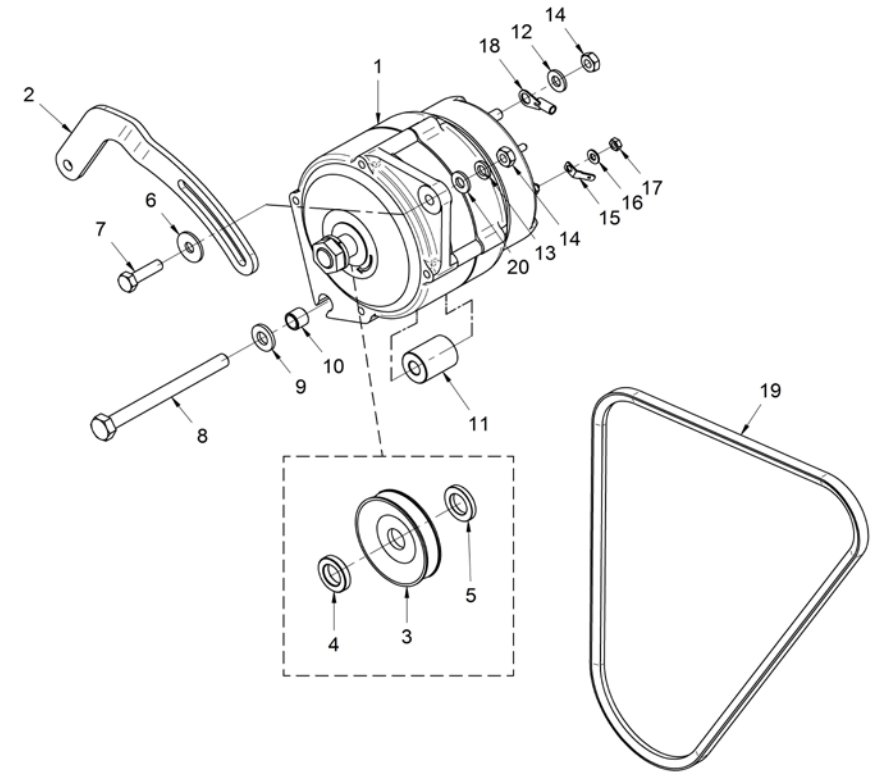


D_MI55_5_1		Kit Alternador 12V/50A			
FIG.	REF.	QTY	DESCR.	FROM	UPTO
1	17227007	1	Plate		
2	51031008	1	Washer DIN 9021 8		
3	13827012	1	Bolt		
4	13127002	1	Nut		
5	53033010	1	Washer GROWER DIN 127-10		
6	51030010	1	Washer DIN 125-10		
7	17227070	1	Bolt, Alternator		
8	13421028	1	Belt Type SPZX 962		

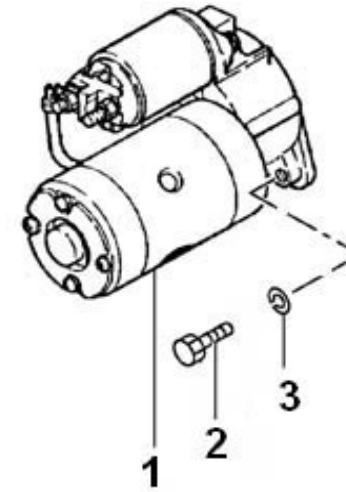


17217055 Kit Alternator 14V.95A.

FIG.	REF.	QTY	DESCR.	FROM	UPTO
1	17117025	1	Alt. 14V/95A Mahle	13/04/2016	
2	17227007.4	1	Plate		
3	13817012.7	1	Pulley		
4	13817017	1	Spacer 17X28X5,5	09/09/2015	
5	13817016	1	Spacer 17X28X4		
6	51031008	1	Washer DIN 9021 8		
7	52102259	1	Bolt DIN 933 M8-30 8.8		30/07/2017
7	52102258	1	Bolt DIN 933 M8-25 8.8	31/07/2017	
8	52101325	1	Bolt DIN 931 M10-120 8.8		
9	53038010	1	Washer DIN 6798-A 10		
10	17417025	1	Spacer 13.5x10.2x11	09/09/2015	
11	17217006	1	Spacer 10,5X25X32		
12	51030008	1	Washer DIN 125-8		
13	53033008	1	Washer GROWER DIN 127-8		30/07/2017
14	52120008	2	Nut DIN 934 M8 8.8		
15	TFM.6.3.T.5.l	1	Straight Receptacle 6.3 Faston		
16	51030005	1	Washer DIN 125-5		
17	52120005	1	Nut DIN 934 M5 8.8		
18	TR.10.8	1	Ring Terminal 10 Sec.		
19	17021028	1	Belt Type SPZX 987		
20	53038008	1	Washer DIN 6798-A 8	31/07/2017	



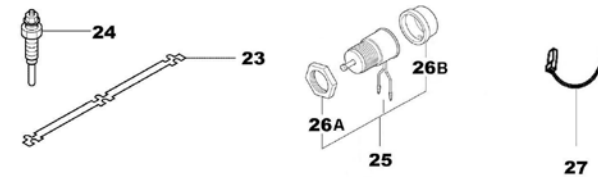
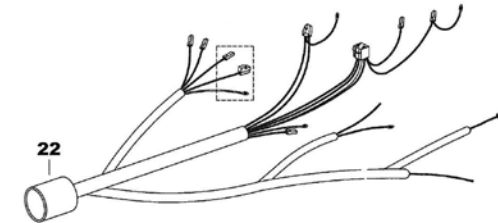
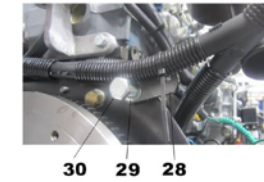
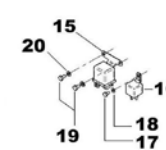
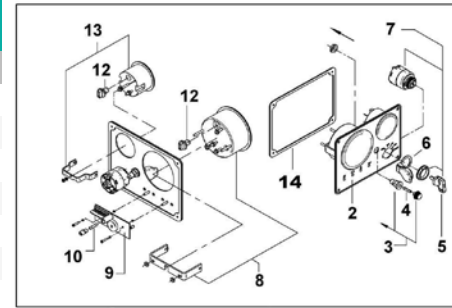
D_MIC1_5_3		Starter Assy				
FIG.	REF.	QTY	DESCR.	FROM	UPTO	
1	17227001	1	Starter Assy 12 V [NP]			
2	52202308	2	Bolt DIN 933 M10-1,25-25 8.8			
3	53033010	2	Washer GROWER DIN 127-10			



[NP] Not provided

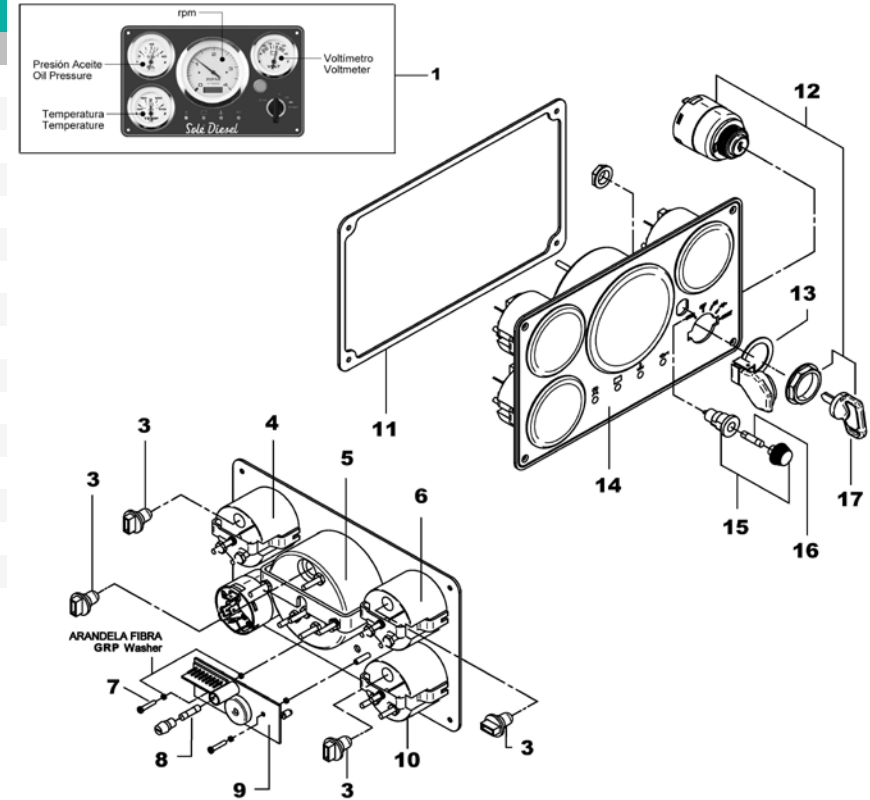


D_MI55_5_5		Electrical Wiring			
FIG.	REF.	QTY	DESCR.	FROM	UPTO
1	60972125.2	1	Panel TE2 MINI-33/44/55		
2	60938005	1	Panel N.2		
3	60900121	1	FuseHolder, panel		
4	60900118	1	Fuse 10 A.		
5	60900036	1	Key,Starter Switch		
6	60900038	1	Cover,KEY		
7	60900037	1	Key-Locking		
8	60972910	1	Tachometer MINI-33/44		
9	60900301.2	1	Integrated Circuit Plate 12V Protection	23/06/2015	
10	60900119	1	Fuse 0.5A		
12	60900929	2	Bulb 12V		
13	60900915R	1	Water Gauge 12 V		
14	60938006	1	Gasket Panel		
15	13827005	1	Glow Relay		
16	13817005	1	Relay 6V		
17	52102154	2	Bolt DIN 933 M6-10 8.8		
18	51030006	2	Washer DIN 125-6		
19	52102104	1	Bolt DIN 933 M5-10 8.8		
20	51030005	1	Washer DIN 125-5		
21	60938210.1	1	Engine Wiring Ext. 3 M. SUPERSEAL		
22	60972200R.3	1	Wiring,Electrical MINI-33/44/55 3 V.		
23	17327018	1	Plate, Connection		
24	17127017	4	Plug, glow		
25	13424025	1	Solenoid		
26A	13425029	1	Nut (old)		
26B	17023030	1	Cap GUM		
27	60934040	1	WIRINE		
28	15217010	1	Bracket,wirings		
29	53033012	1	Washer GROWER DIN 127-12		
30	52202361	1	Bolt DIN 933 M12-1,25-40 8.8		





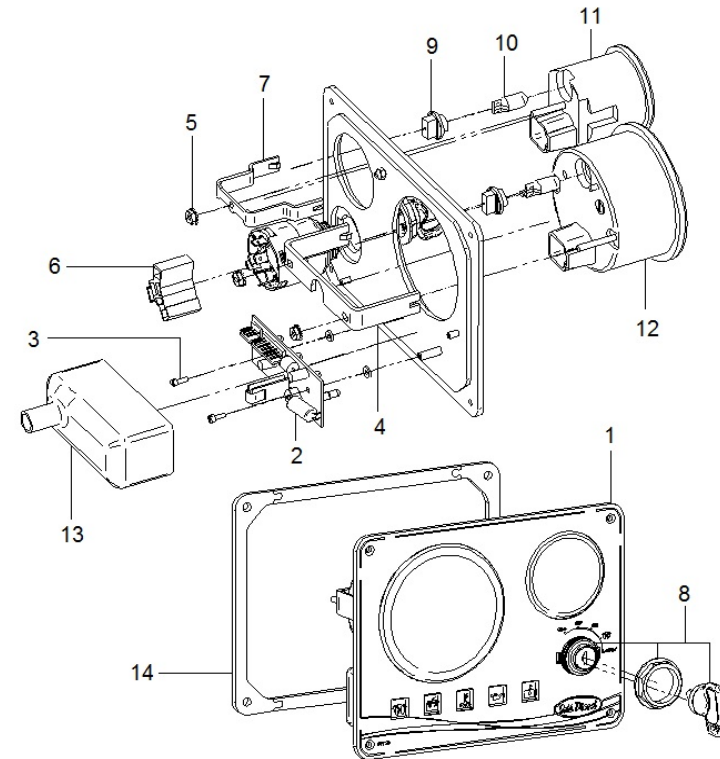
D_MIC1_5_6		Deluxe Instrument Panel			
FIG.	REF.	QTY	DESCR.	FROM	UPTO
1	60972127.2	1	SVT 30 MINI-33/44/55 Panel (Repl.) [NP]		
3	60900929	4	Bulb 12V		
4	60900925R	1	VOLTMETER 12 V		
5	60972910	1	Tachometer MINI-33/44		
6	60900920R	1	Oil Pressure Gauge 12 V		
7	54108003	1	Bolt DIN 84 M3-8 INOX.		
8	60900119	1	Fuse 0.5A		
9	60900301.2	1	Integrated Circuit Plate 12V Protection	23/06/2015	
10	60900915R	1	Water Gauge 12 V		
11	60990006	1	Gasket Panel		
12	60900037	1	Key-Locking		
13	60900038	1	Cover,KEY		
14	60990005	1	Panel N.3		
15	60900121	1	FuseHolder, panel		
16	60900118	1	Fuse 10 A.		
17	60900036	1	Key,Starter Switch		



[NP] Not provided



D_60972130		SVT 20 MINI-33/44/55 Panel			
FIG.	REF.	QTY	DESCR.	FROM	UPTO
1	60938005.1	1	Panel N.2		
2	60900301.2	1	Integrated Circuit Plate 12V Protection		
3	54108003	2	Bolt DIN 84 M3-8 INOX.		
4	60900910.1	1	MTG Bracket 3" LG GA AMEGA		
5	60900910.2	3	Nut 8-32 W/CapTIVE STAR Washer		
6	60900037.2	1	Connector		
7	60900915.2	1	MTG Bracket		
8	60900037	1	Key-Locking		
9	60900931	2	SOCKET,WEDGE BASE		
10	60900929	2	Bulb 12V		
11	60900937	1	Water Gauge 12 V		
12	60972912	1	Tachometer MINI-33/44 SVT		
13	60900096	1	Cover Plate for Motor Propeller		
14	60938006.1	1	Gasket Panel		
NS	60910012	1	System Back Panel SVT/MVT 20 12V [NS]	07/12/2016	
NS	60900091	1	MICRO Relay 12V 12-20 [NS]		

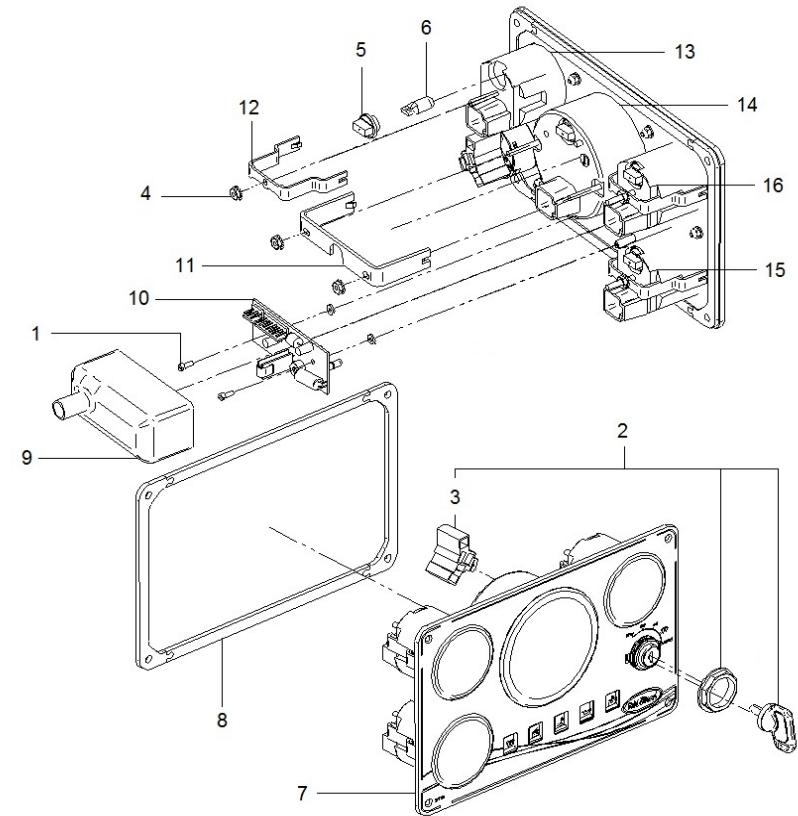


[NS] Not shown





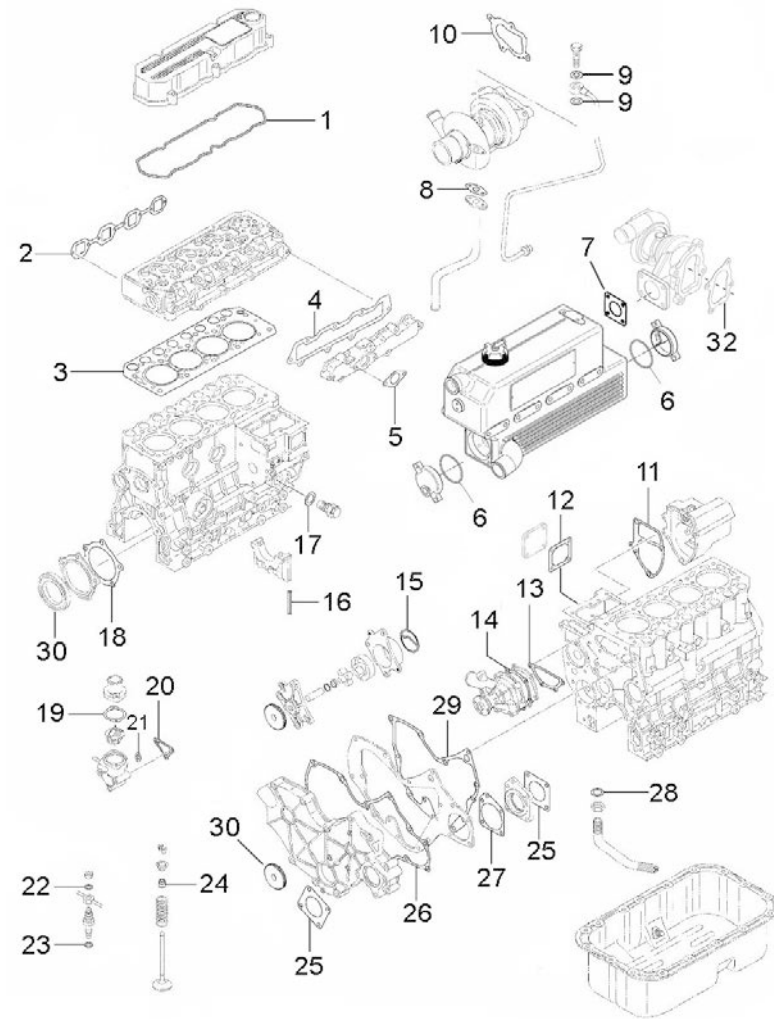
D_60972132		SVT 30 MINI-33/44/55 Panel			
FIG.	REF.	QTY	DESCR.	FROM	UPTO
1	54108003	2	Bolt DIN 84 M3-8 INOX.		
2	60900037	1	Key-Locking		
3	60900037.2	1	Connector		
4	60900910.2	5	Nut 8-32 W/CapTIVE STAR Washer		
5	60900931	4	SOCKET, WEDGE BASE		
6	60900929	4	Bulb 12V		
7	60990005.1	1	Panel N.3		
8	60990006.1	1	Gasket Panel		
9	60900096	1	Cover Plate for Motor Propeller		
10	60900301.2	1	Integrated Circuit Plate 12V Protection		
11	60900910.1	1	MTG Bracket 3" LG GA AMEGA		
12	60900915.2	3	MTG Bracket		
13	60900941	1	VOLTMETER 12V		
14	60972912	1	Tachometer MINI-33/44 SVT		
15	60900937	1	Water Gauge 12 V		
16	60900939	1	Oil Pressure Gauge 12V		
NS	60910014	1	System Back Panel SVT/MVT 30 12V [NS]	07/12/2016	
NS	60900091	1	MICRO Relay 12V 12-20 [NS]		



[NS] Not shown

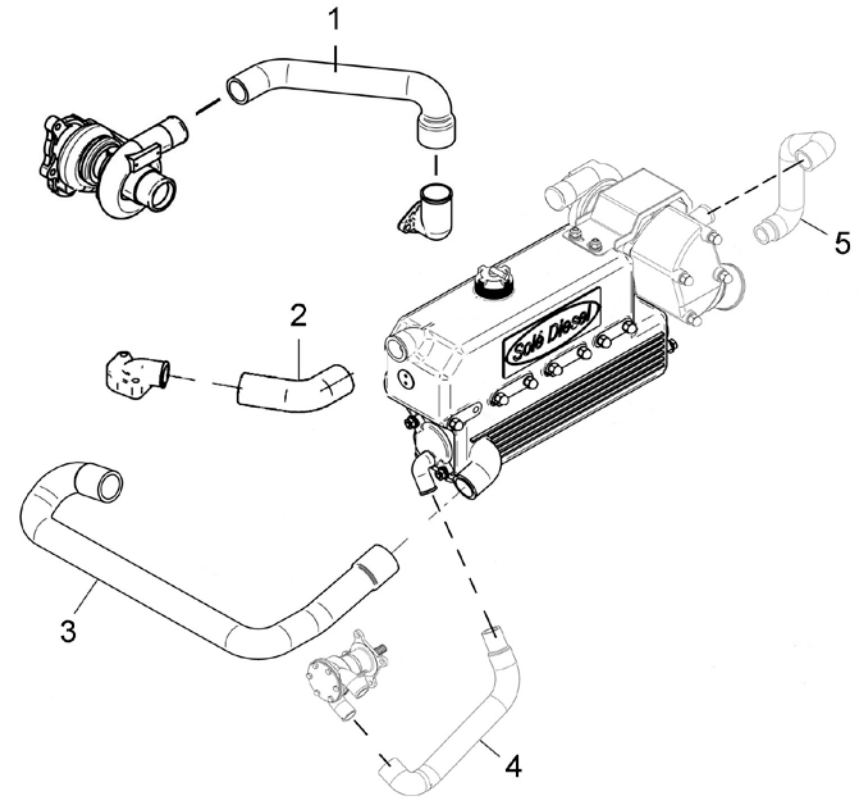


D_17720101		Gasket Kit			
FIG.	REF.	QTY	DESCR.	FROM	UPTO
1	17321010	1	Rocker Cover Gasket		
2	17321035	1	Gasket		
3	17321004	1	Gasket, Cylinder Head		
4	17321032	1	Gasket, Inlet Cover		
5	17221034	1	Gasket, Inlet Pipe		
6	13811007	2	O-Ring D. 57X2,5		
7	17713003	1	Gasket		
8	17712004	1	Gasket		
9	35211003	1	Gasket,cover		
11	17223033	1	Gasket, Governor Case		
12	13223014	1	Gasket Cover		
13	17221033	1	Gasket, Thermostat Case		
13	13221022	1	Gasket Water Pump		
14	13221041	1	Gasket Water Pump		
15	17224041	1	Packing, Body		
16	17220002	4	Seal, Side		
17	17424063	1	Gasket		
18	17220016	1	Gasket, Oil Seal Case		
19	17221031	1	Gasket,Thermostat		
22	13824025	4	Injector Gasket		
23	13824013	4	Injector Washer		
24	13222054	8	Seal Valve Stem		
25	13120047	3	Gasket Water Pump		
26	17220040	1	Gasket, Gear Case		
27	17220038	1	Gasket, Housing		
28	17024001	1	Gasket		
29	17220018	1	Gasket, Front Plate		
30	13220039	1	Seal Oil		
30	17220063	1	Seal, Oil		
32	17713016	1	Gasket		



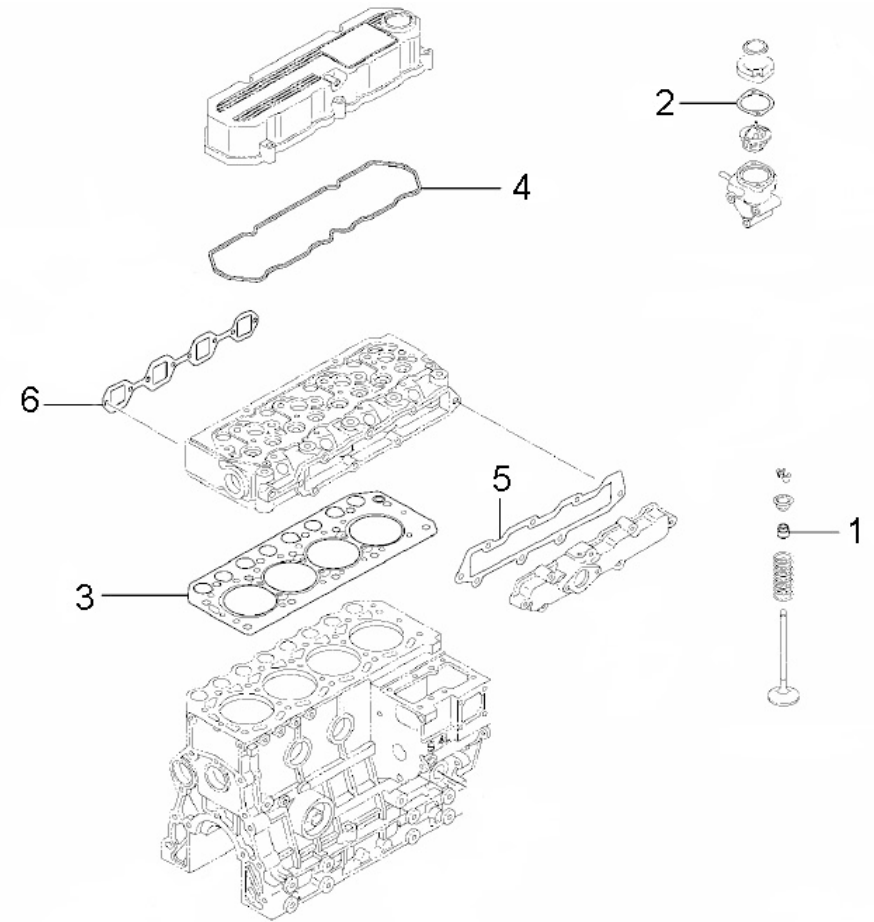


17711100		Pipe Rubber Set,Water Line			
FIG.	REF.	QTY	DESCR.	FROM	UPTO
1	17710009	1	Inlet Pipe		
2	17211021	1	Elbow		
3	17211006	1	Hose		
4	17711003	1	Elbow		
5	17711002	1	Elbow		

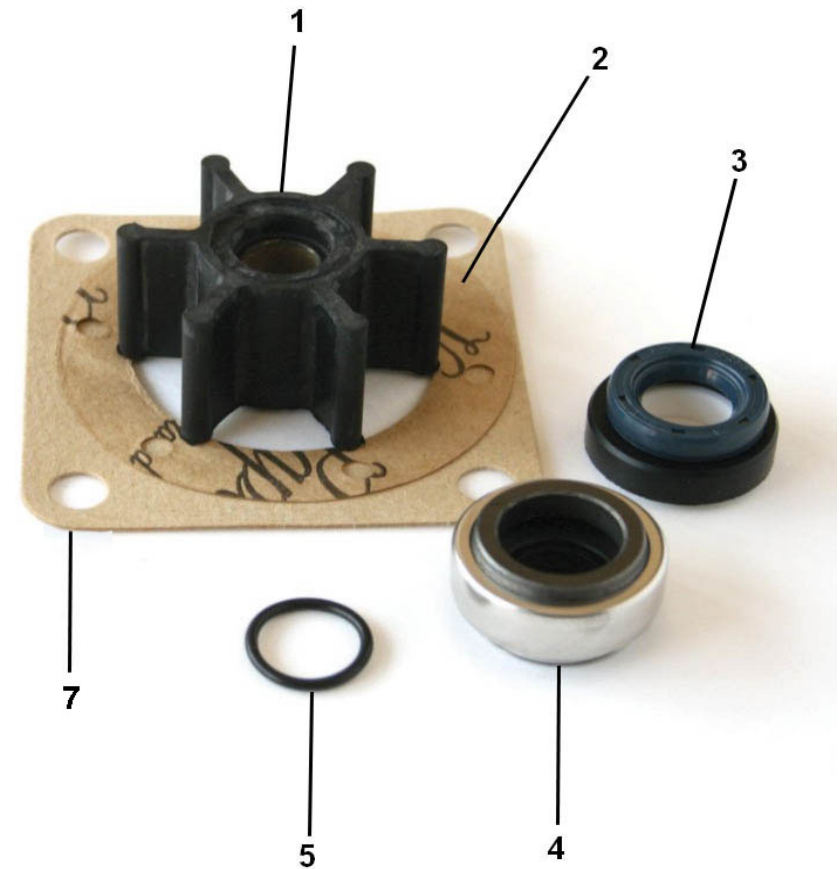




17720101.1 Gasket Kit						
FIG.	REF.	QTY	DESCR.	FROM	UPTO	
1	13222054	8	Seal Valve Stem			
2	17221031	1	Gasket, Thermostat			
3	17321004	1	Gasket, Cylinder Head			
4	17321010	1	Rocker Cover Gasket			
5	17321032	1	Gasket, Inlet Cover			
6	17321035	1	Gasket			



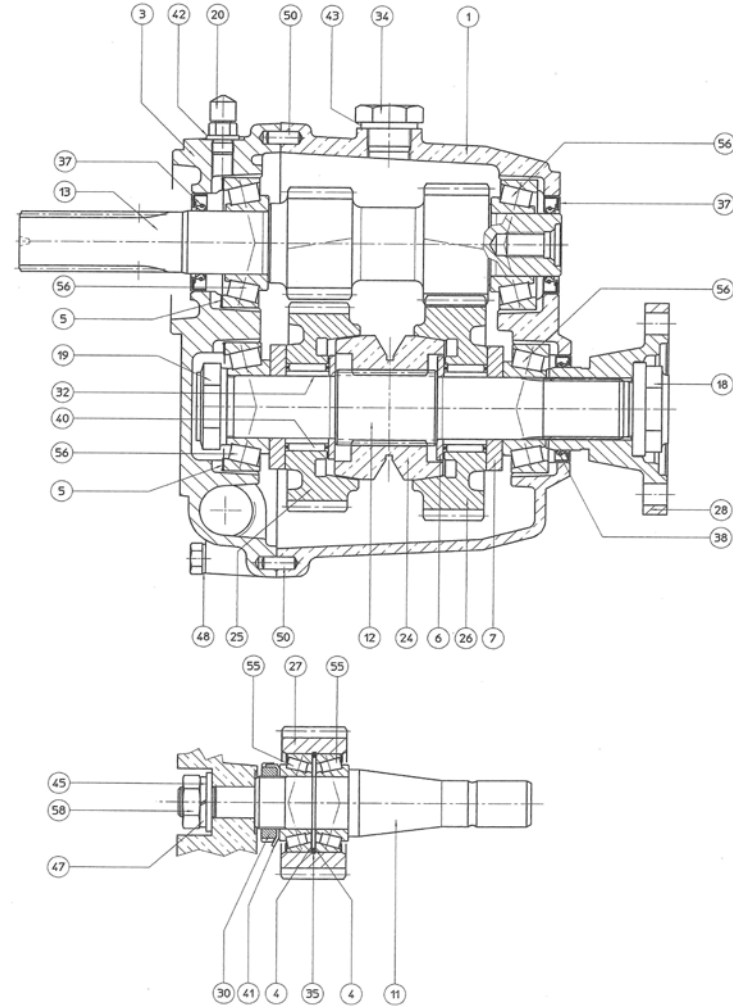
37711000K		Repair Kit Water Pump 3/4"			
FIG.	REF.	QTY	DESCR.	FROM	UPTO
1	35211003	1	Gasket,cover		
2	35111008	1	3/4" Impeller		
3	33411020	1	Seal		
4	33411019	1	Seal		
5	33311013	1	O-Ring D. 15X2		
7	13120047	1	Gasket Water Pump		
NS	34711041	1	Impeller Plug [NS]		



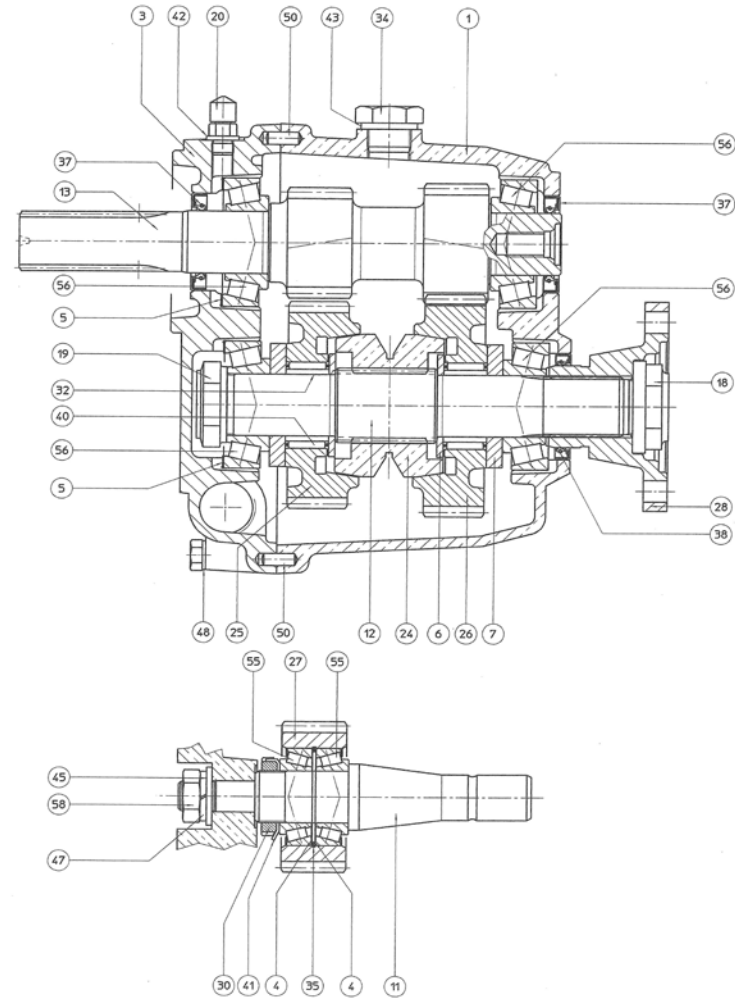
[NS] Not shown



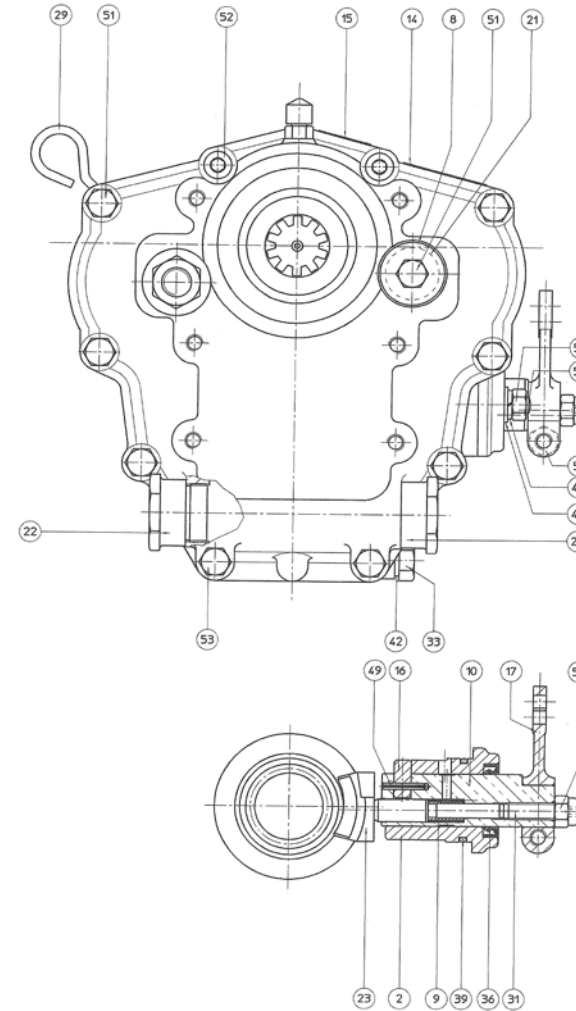
D_5035_1		Sheet 1/2			
FIG.	REF.	QTY	DESCR.	FROM	UPTO
1	24880002	1	Box		
3	24880001	1	Cover		
4	24880305	2	Spacer		
5	24813500.67	6	Spacer		
6	24880218	2	Shim		
7	24880217	2	Shim		
11	24880301	1	INTERMEDIATE Shaft		
12	24880201	1	Shaft Output		
13A	24882101	1	Input Shaft		
13B	24883101	1	Input Shaft		
13C	24884101	1	Input Shaft		
18	24850099	1	Nut		
19	24880222	1	Nut		
20	24810065	1	Plug		
24	24880202	1	Clutch		
25A	24882203	1	Gear		
25B	24884203	1	Gear		
26A	24882203	1	Gear		
26B	24883210	1	Gear		
26C	24884210	1	Gear		
27	24880302	1	Gear		
28	24880224	1	Flange Output		
30	24880310	1	Nut		
32	24880205	2	CAGE		
34	24830011	1	Plug		
35	24880309	1	Ring		
37	22210103	2	Seal,oil BA 30-47-7		
38	25210214	1	Seal,oil 40-52-7		
40	24880204	2	Bearing, needle		
41	24880308	1	Washer		
42	24810063	1	Plane Washer		
43	56000083	1	Washer 21-26-1,5		
45	51030014	2	Washer DIN 125-14		
47	53033014	1	Washer GROWER DIN 127-14		
48	24850093	10	Washer		



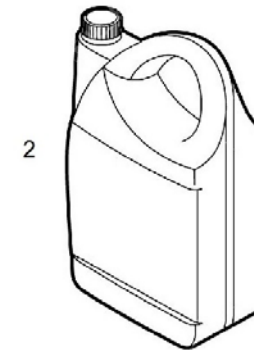
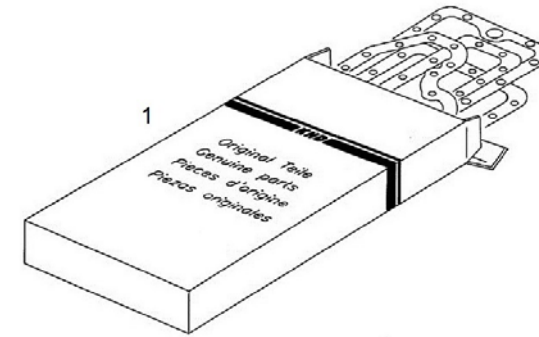
D_5035_1		Sheet 1/2			
FIG.	REF.	QTY	DESCR.	FROM	UPTO
50	24860023	2	Pin		
55	24860206	2	Conical Roller Bearing 32005		
56	25710104	4	Conical Roller Bearing 32206-J2/Q		
58	24880307	1	Nut		



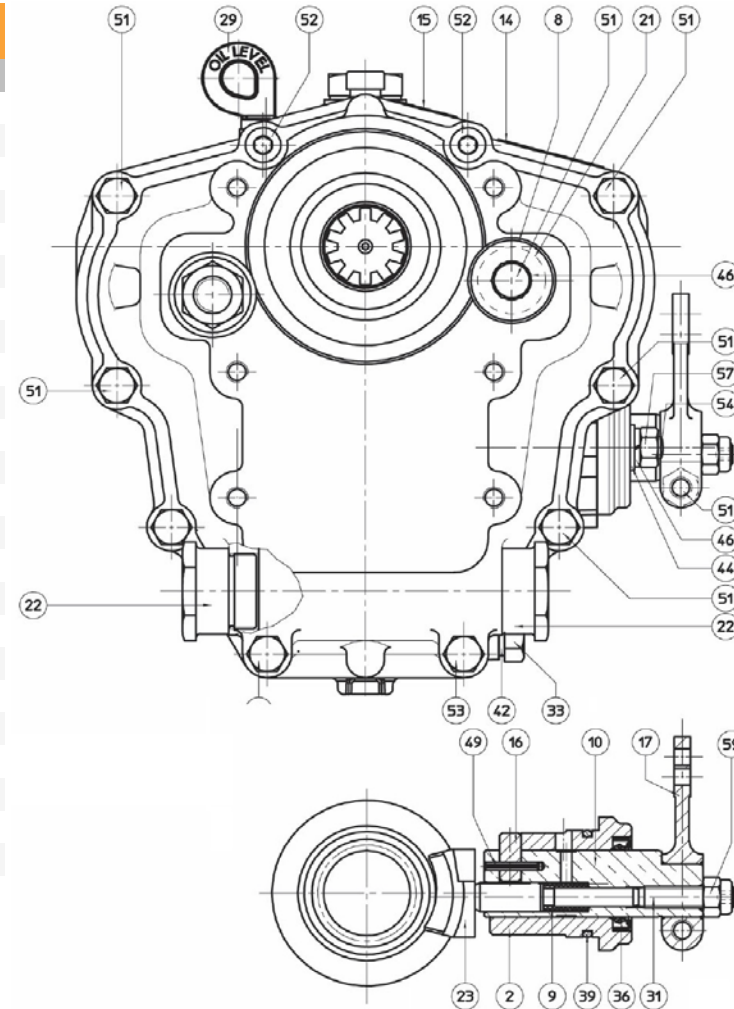
D_5035_2 Sheet 2/2						
FIG.	REF.	QTY	DESCR.	FROM	UPTO	
2	24880401	1	Cover			
8	24880306	1	Washer			
9	24860411	1	Spring			
10	24880402	1	Shaft			
14	24850005	1	Plate, IDENTIFICATION			
15	24860006	1	ATF Oil Plate			
16	24860419	1	Pin			
17	24810424	1	Lever			
21	24880311	1	Plug			
22	24880038	2	Plug			
23	24880423	1	Pad			
29	24880008	1	Gauge Oil LEVEL			
31	24880409	1	Screw			
33	24850011	1	Plug,oil drain			
36	24860404	1	Oil Seal			
39	24860417	1	O-Ring			
42	24810063	1	Plane Washer			
44	51030008	2	Washer DIN 125-8			
46	53033008	3	Washer GROWER DIN 127-8			
49	53052210	1	Pin DIN 1481 3-20			
51	52102258	8	Bolt DIN 933 M8-25 8.8			
52	52103258	2	Bolt DIN 912 M8-25 8.8			
53	52101263	2	Bolt DIN 931 M8-50 8.8			
54	24860071	2	STUD			
57	52120008	2	Nut DIN 934 M8 8.8			
59	51123008	1	Nut DIN 985 M8 5.6			



D_5035_3 Kit de Service						
FIG.	REF.	QTY	DESCR.	FROM	UPTO	
1	24883401	1	Gasket Kit			
2	A0201000	2	ATF Sole Diesel Oil 1L			



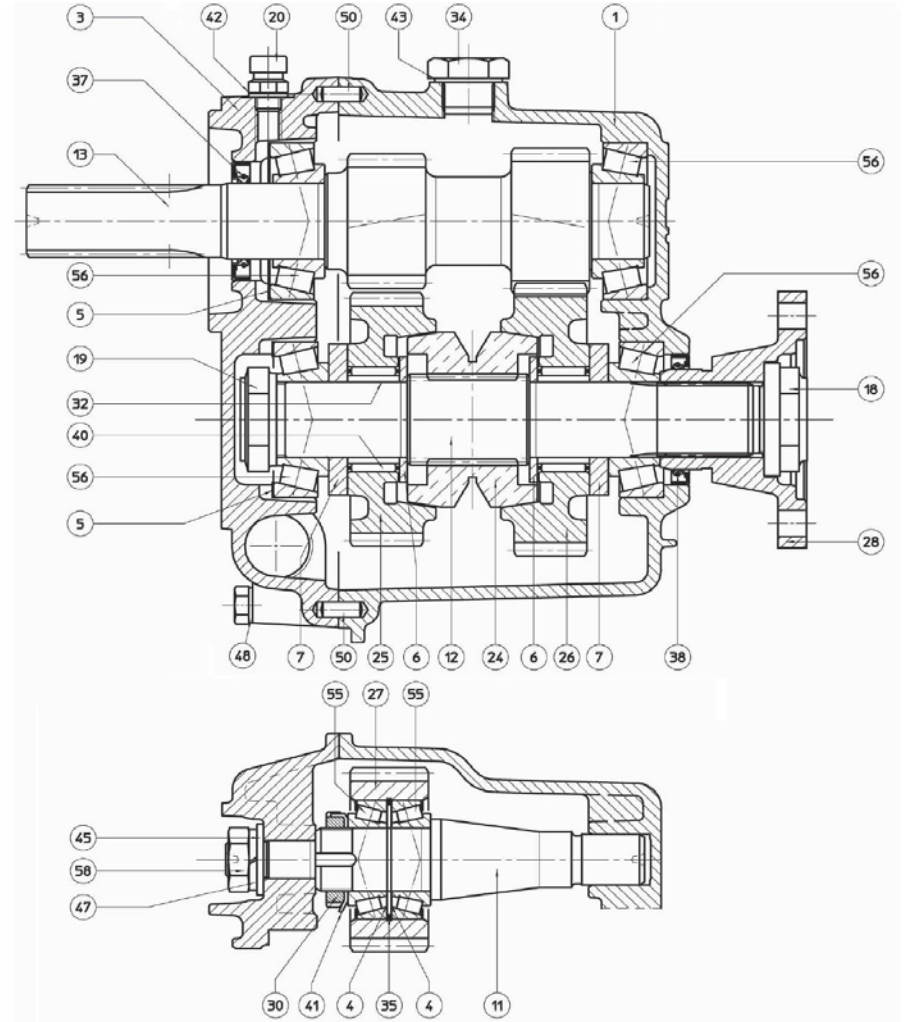
D_5036_1		Sheet 1/2				
FIG.	REF.	QTY	DESCR.	FROM	UPTO	
2	24880401	1	Cover			
8	24880306	1	Washer			
9	24860411	1	Spring			
10	24880402	1	Shaft			
14	24850005	1	Plate, IDENTIFICATION			
15	24860006	1	ATF Oil Plate			
16	24860419	1	Pin			
17	24810424	1	Lever			
21	24880311	1	Plug			
22	24880038	2	Plug			
23	24880423	1	Pad			
29	24860008P	1	Gauge			
31	24880409	1	Screw			
33	24850011	1	Plug,oil drain			
36	24860404	1	Oil Seal			
39	24860417	1	O-Ring			
44	24810530	2	Washer DIN 125-8 [NP]			
46	24810014	3	Washer GROWER DIN 127-8 [NP]			
49	24860418	1	Pin DIN 1481 3-20 [NP]			
51	24810047	8	Bolt DIN 933 M8-25 8.8 [NP]			
52	52103258	2	Bolt DIN 912 M8-25 8.8			
53	52101263	2	Bolt DIN 931 M8-50 8.8			
54	24860071	2	STUD			
57	24810515	2	Nut DIN 934 M8 8.8 [NP]			
59	51123008	1	Nut DIN 985 M8 5.6			



[NP] Not provided



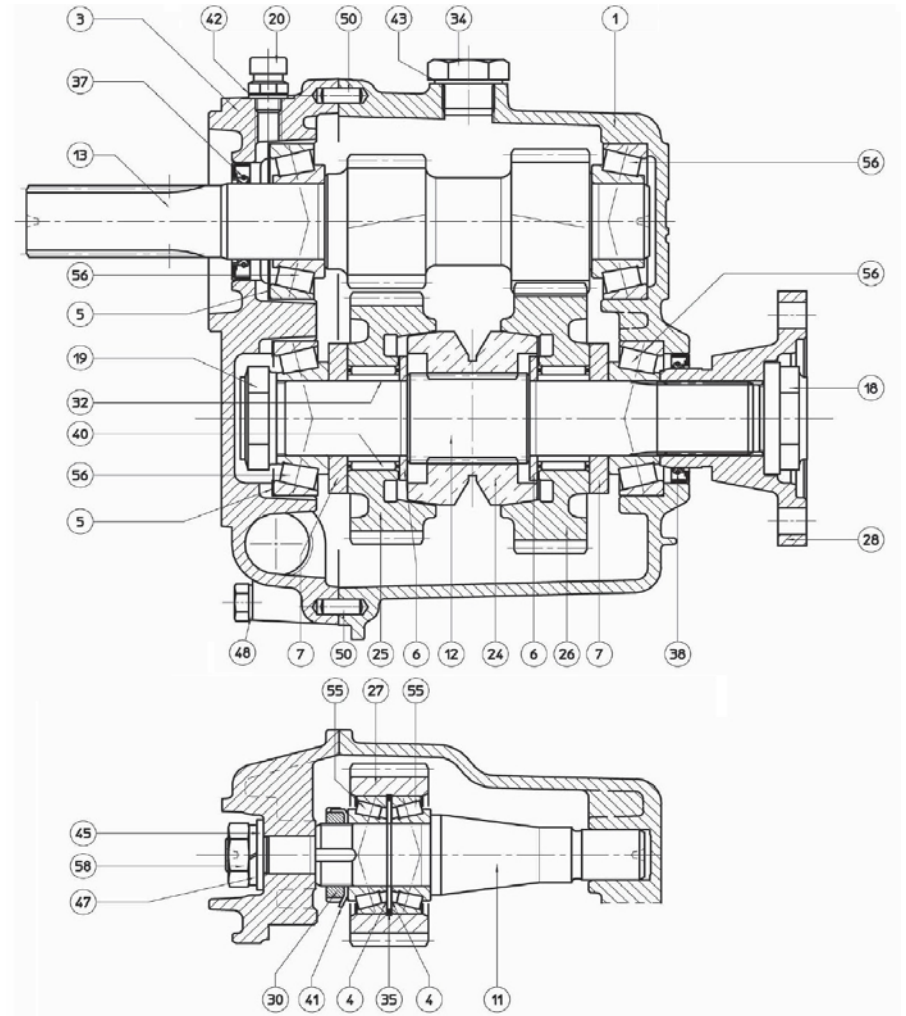
D_5036_2		Sheet 2/2				
FIG.	REF.	QTY	DESCR.	FROM	UPTO	
1	2488002P	1	Box			
3	24880001	1	Cover			
4	24880305	2	Spacer			
5	24813500.67	6	Spacer			
6	24880218	2	Shim			
7	24880217	2	Shim			
11	24880301	1	INTERMEDIATE Shaft			
12	24880201	1	Shaft Output			
13A	24882101P	1	Input Shaft			
13B	24883101P	1	Input Shaft			
13C	24884101	1	Input Shaft			
13D	24885101P	1	Input Shaft			
18	24850099	1	Nut			
19	24880222	1	Nut			
20	24810065	1	Plug			
24	24880202	1	Clutch			
25A	24882203	1	Gear			
25B	24882203	1	Gear			
25C	24884203	1	Gear			
25D	24884203	1	Gear			
26A	24882203	1	Gear			
26B	24883210	1	Gear			
26C	24884210	1	Gear			
26D	24885210	1	Gear			
27	24880302	1	Gear			
28	24880224	1	Flange Output			
30	24880310	1	Nut			
32	24880205	2	CAGE			
34	24830011	1	Plug			
35	24880309	1	Ring			
37	24880103A	1	Seal,oil BA 30-47-7 [NP]			
38	24890214	1	Oil Seal			
40	24880204	2	Bearing, needle			
41	24880308	1	Washer			
42	24810063	2	Plane Washer			



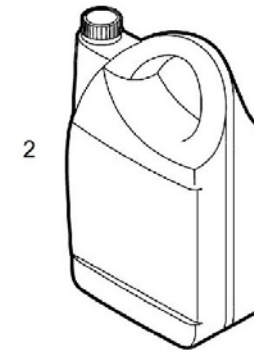
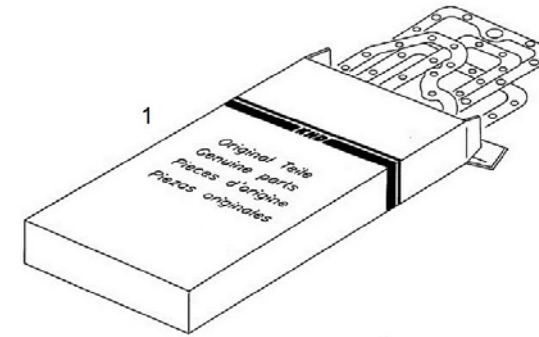
[NP] Not provided



D_5036_2		Sheet 2/2				
FIG.	REF.	QTY	DESCR.	FROM	UPTO	
43	56000083	1	Washer 21-26-1,5			
45	24813500.97	1	Washer DIN 125-14 [NP]			
47	24810221	1	Washer GROWER DIN 127-14 [NP]			
48	24850093	10	Washer			
50	24860023	2	Pin			
55	24860206	2	Conical Roller Bearing 32005			
56	25710104	4	Conical Roller Bearing 32206-J2/Q			
58	24880307	1	Nut			

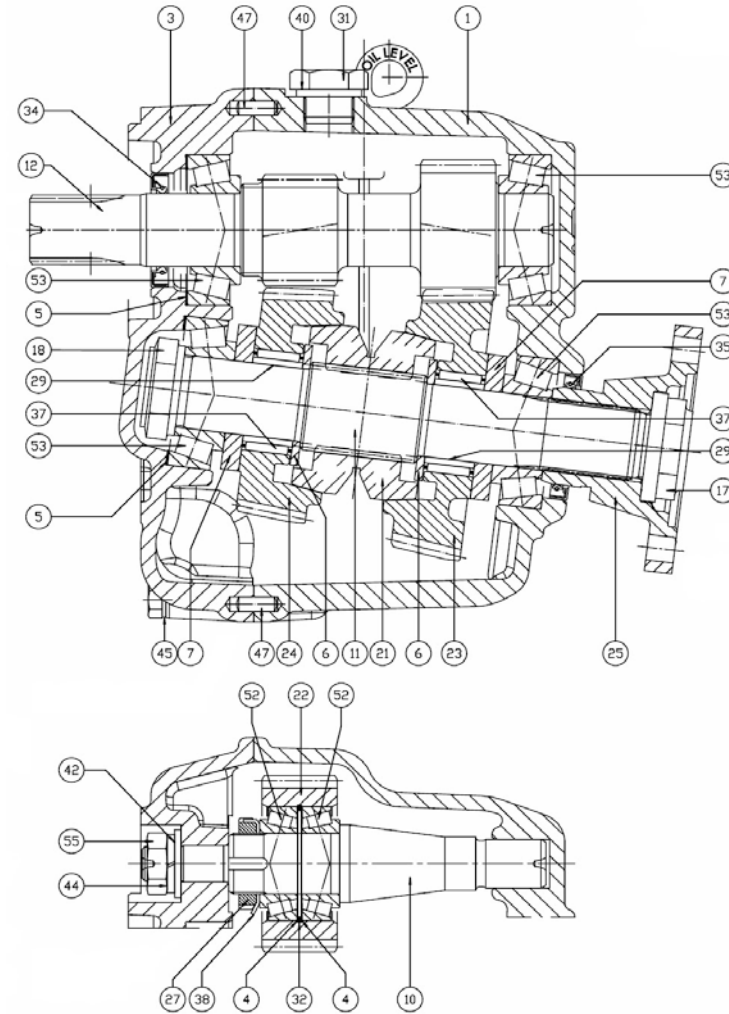


D_5035_3 Kit de Service						
FIG.	REF.	QTY	DESCR.	FROM	UPTO	
1	24883401	1	Gasket Kit			
2	A0201000	2	ATF Sole Diesel Oil 1L			





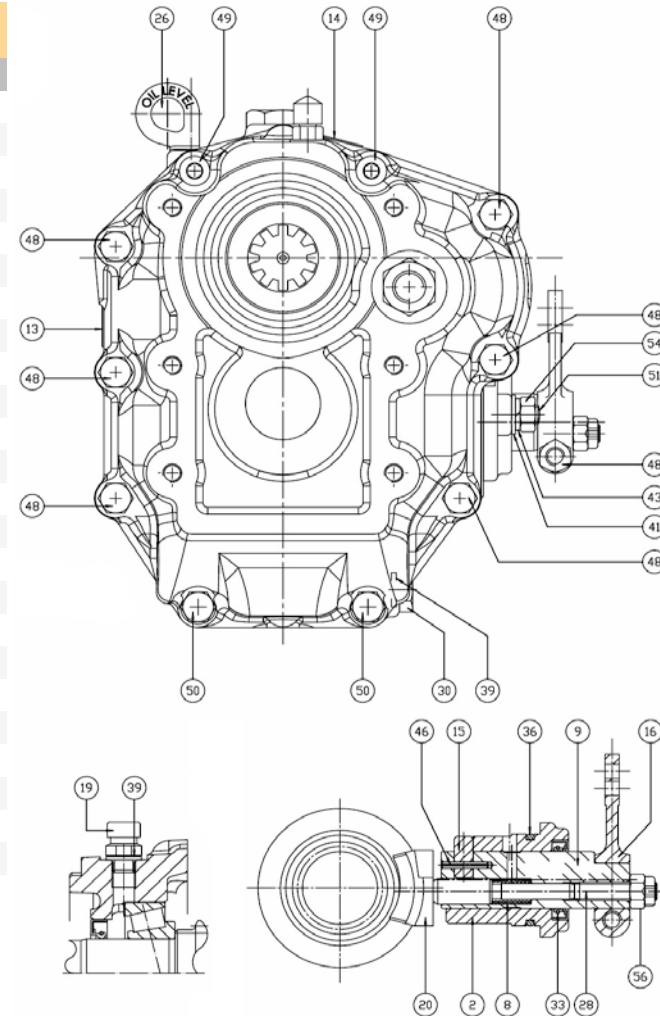
D_5034_1		Sheet 1/2			
FIG.	REF.	QTY	DESCR.	FROM	UPTO
1	24880002A	1	Box		
3	24880001A	1	Cover		
4	24880305	2	Spacer		
5	24813500.67	6	Spacer		
6	24880218	2	Shim		
7	24880217	2	Shim		
10	24880301	1	INTERMEDIATE Shaft		
11	24880201	1	Shaft Output		
12A	24884101	1	Input Shaft		
12B	24883101A	1	Input Shaft		
17	24850099	1	Nut		
18	24880222	1	Nut		
21	24880202	1	Clutch		
22	24880302	1	Gear		
23A	24884210A	1	Gear		
23B	24883210A	1	Gear		
24	24883203A	1	Gear [NP]		
25	24880224	1	Flange Output		
27	24880310	1	Nut		
29	24880205	2	CAGE		
31	24830011	1	Plug		
32	24880309	1	Ring		
34	22210103	1	Seal,oil BA 30-47-7		
35	25210214	1	Seal,oil 40-52-7		
37	24880204	2	Bearing, needle		
38	24880308	1	Washer		
40	56000083	1	Washer 21-26-1,5		
42	51030014	1	Washer DIN 125-14		
44	53033014	1	Washer GROWER DIN 127-14		
45	24850093	10	Washer		
47	24860023	2	Pin		
52	24860206	2	Conical Roller Bearing 32005		
53	25710104	4	Conical Roller Bearing 32206-J2/Q		
55	24880307	1	Nut		



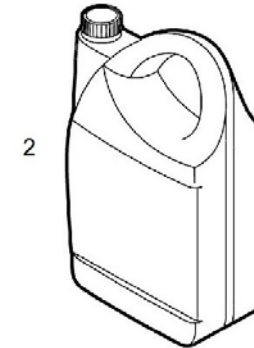
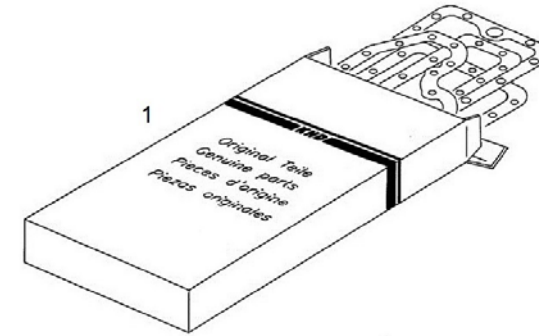
[NP] Not provided



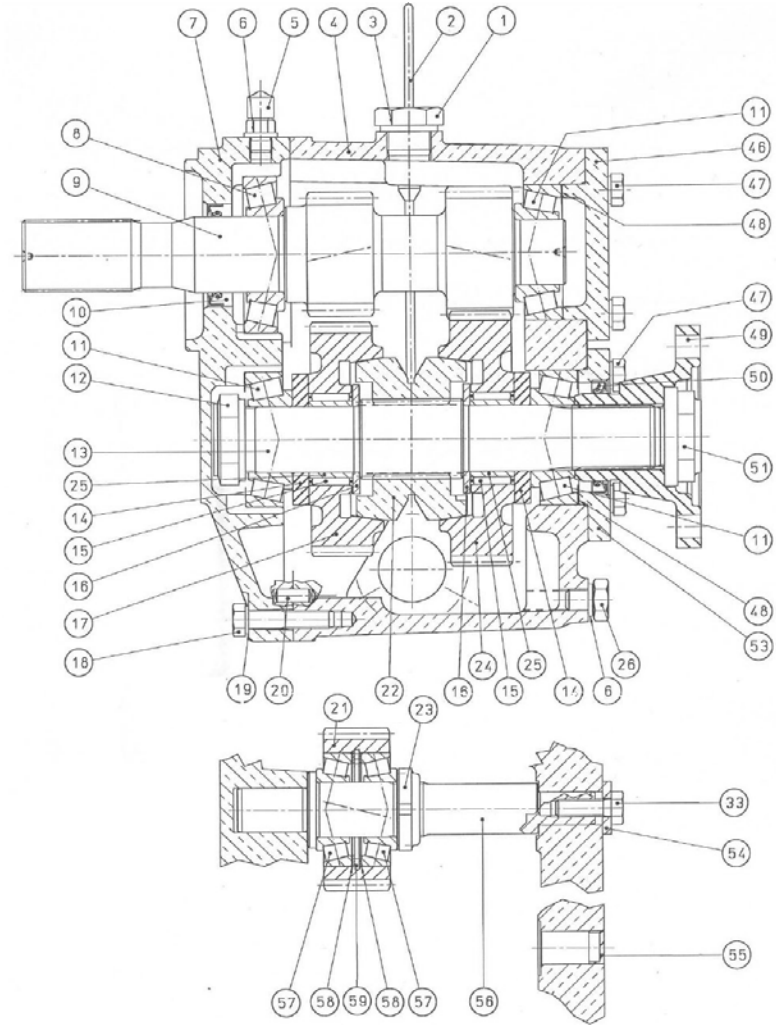
D_5034_2		Sheet 2/2				
FIG.	REF.	QTY	DESCR.	FROM	UPTO	
2	24880401	1	Cover			
8	24860411	1	Spring			
9	24880402	1	Shaft			
13	24850005	1	Plate, IDENTIFICATION			
14	24860006	1	ATF Oil Plate			
15	24860419	1	Pin			
16	24810424	1	Lever			
19	24810065	1	Plug			
20	24880423	1	Pad			
26	24860008P	1	Gauge			
28	24880409	1	Screw			
30	24850011	1	Plug,oil drain			
33	24860404	1	Oil Seal			
36	24860417	1	O-Ring			
39	24810063	2	Plane Washer			
41	51030008	2	Washer DIN 125-8			
43	53033008	2	Washer GROWER DIN 127-8			
46	53052210	1	Pin DIN 1481 3-20			
48	52102258	7	Bolt DIN 933 M8-25 8.8			
49	52103258	2	Bolt DIN 912 M8-25 8.8			
50	52101263	2	Bolt DIN 931 M8-50 8.8			
51	24860071	2	STUD			
54	52120008	2	Nut DIN 934 M8 8.8			
56	51123008	1	Nut DIN 985 M8 5.6			



D_5035_3 Kit de Service						
FIG.	REF.	QTY	DESCR.	FROM	UPTO	
1	24883401	1	Gasket Kit			
2	A0201000	2	ATF Sole Diesel Oil 1L			



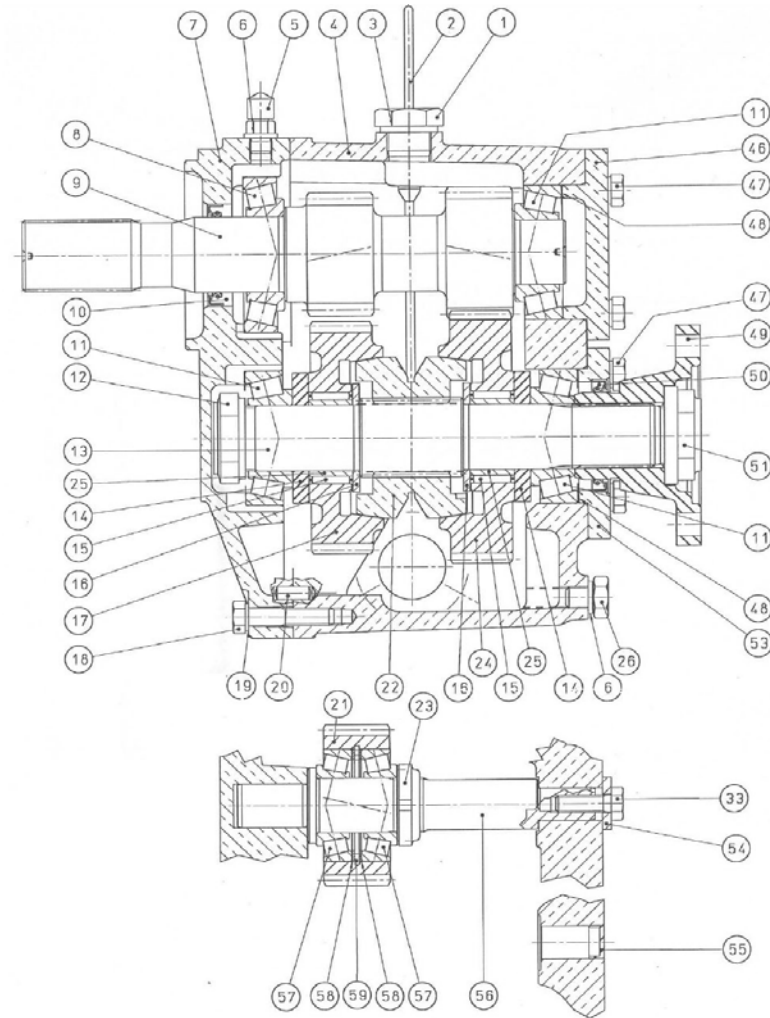
D_5032_1		Sheet 1/3			
FIG.	REF.	QTY	DESCR.	FROM	UPTO
1	24830011	1	Plug		
2	24890008	1	Gauge Oil Level		
3	56000083	1	Washer 21-26-1,5		
4	24890001	1	Cover		
5	24810065	1	Plug		
6	24810063	2	Plane Washer		
7	24890102	1	Cover		
8	24850212	1	Conical Roller Bearing 30207A		
9A	24895101	1	Input Shaft		
9B	24894101	1	Input Shaft		
9C	24893101	1	Input Shaft		
9D	24892101	1	Input Shaft		
10	24810103	1	Oil Grommet		
11	25710104	3	Conical Roller Bearing 32206-J2/Q		
12	24880222	1	Nut		
13	24880201	1	Shaft Output		
14	24880217	2	Shim		
15	24880204	2	Bearing, needle		
16	24880218	2	Shim		
17A	24894203	1	Gear		
17B	24892203	1	Gear		
18	52101261	9	Bolt DIN 931 M8-40 8.8		
19	24850093	17	Washer		
20	24860023	2	Pin		
21	24890302	1	Gear		
22	24890202	1	Clutch		
23	24890307	1	Nut		
24A	24894203	1	Gear		
24B	24895210	1	Gear		
24C	24894210	1	Gear		
24D	24893210	1	Gear		
25	24880205	2	CAGE		
26	24850011	1	Plug,oil drain		
33	52102258	1	Bolt DIN 933 M8-25 8.8		
46	24890205	1	Cover		



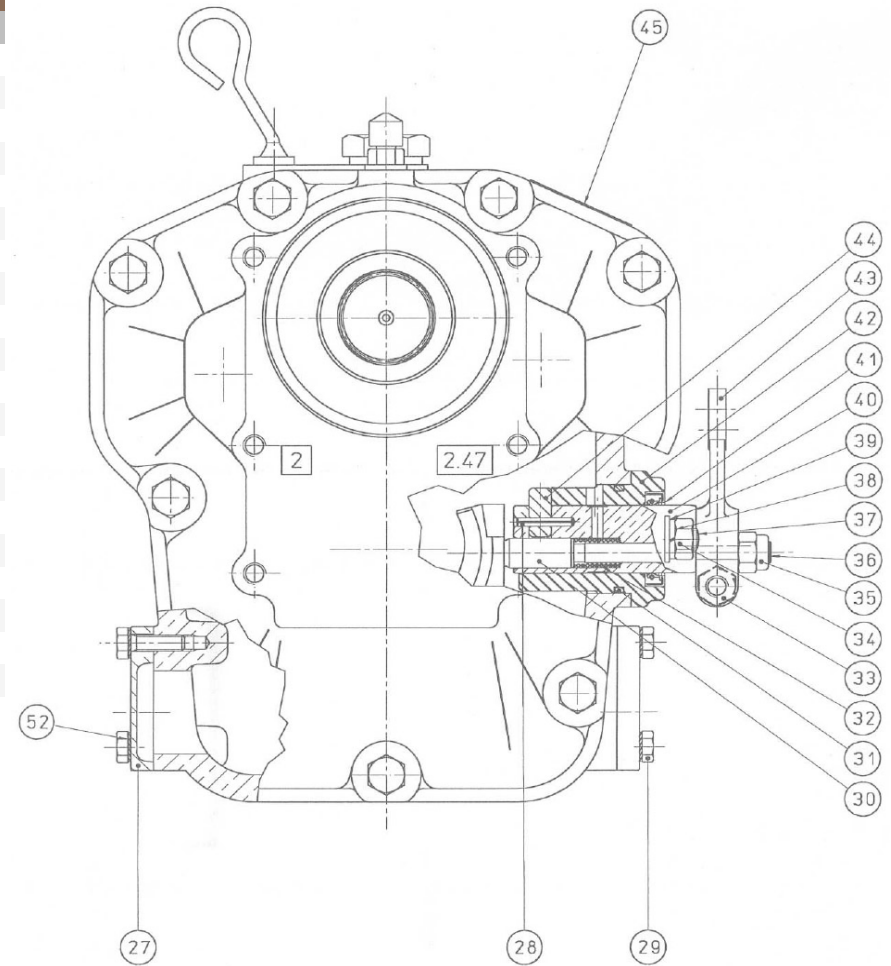
[NP] Not provided



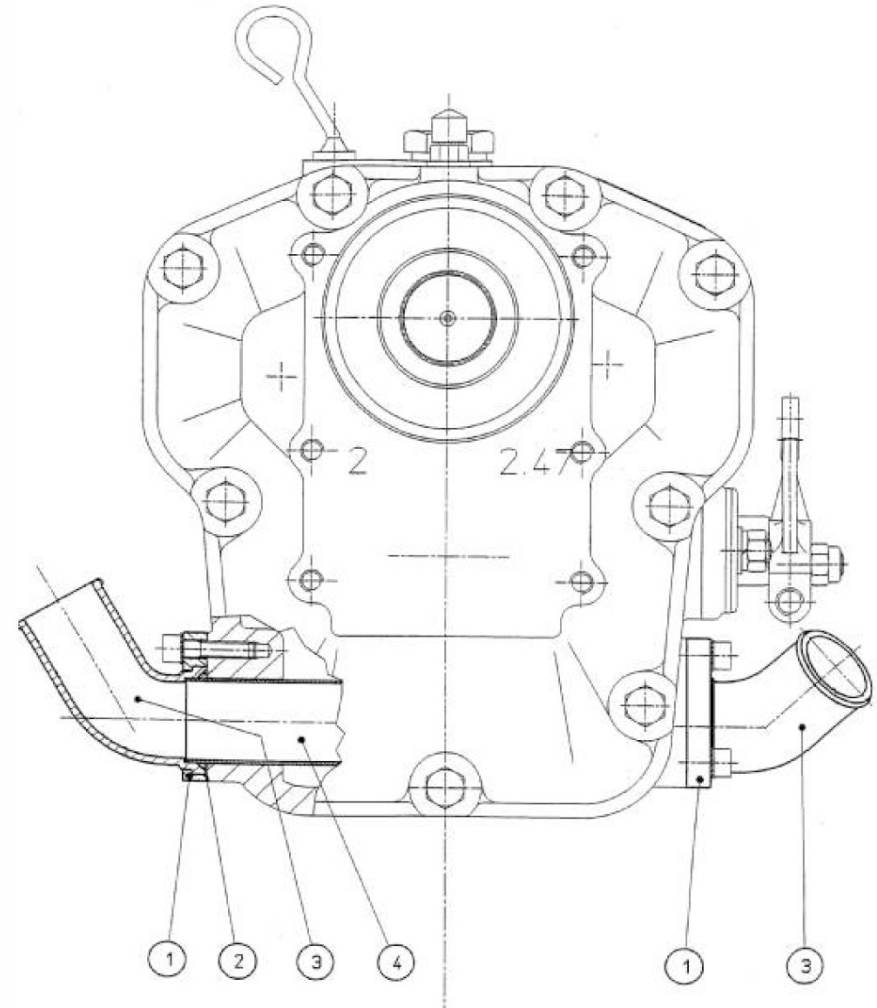
D_5032_1		Sheet 1/3			
FIG.	REF.	QTY	DESCR.	FROM	UPTO
47	52102259	8	Bolt DIN 933 M8-30 8.8		
48	24813500.67	6	Spacer		
49	24880224	1	Flange Output		
50	24890214	1	Oil Seal		
51	24850099	1	Nut		
53	24890208	1	Cover		
54	24890306	1	Washer		
55	24890305	1	Plug		
56	24890301	1	INTERMEDIATE Shaft		
57	24860207	2	Conical Roller Bearing 30205A		
58	24890304	2	Washer [NP]		
59	53041052	1	CIRClip DIN 472 I-52		



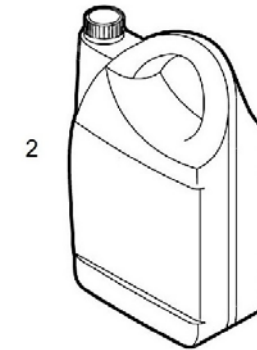
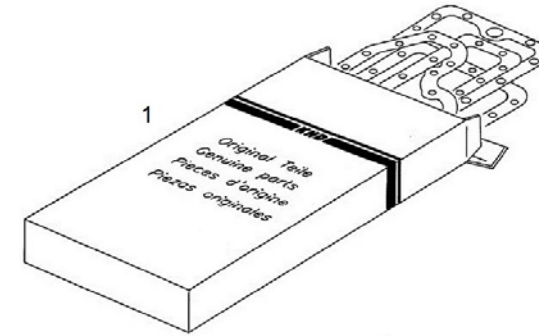
D_5032_2		Sheet 2/3				
FIG.	REF.	QTY	DESCR.	FROM	UPTO	
27	24890026	2	Cover			
28	53052210	1	Pin DIN 1481 3-20			
29	52102257	6	Bolt DIN 933 M8-20 8.8			
30	24880423	1	Pad			
31	24860417	1	O-Ring			
32	24860411	1	Spring			
33	52102258	1	Bolt DIN 933 M8-25 8.8			
34	52120008	2	Nut DIN 934 M8 8.8			
35	51123008	1	Nut DIN 985 M8 5.6			
36	52111260	1	ROD DIN 913 M8-35 8.8			
37	24860071	2	STUD			
38	53033008	2	Washer GROWER DIN 127-8			
39	51030008	2	Washer DIN 125-8			
40	24880402	1	Shaft			
41	24860404	1	Oil Seal			
42	24880401	1	Cover			
43	24810424	1	Lever			
44	24860419	1	Pin			
45	24850005	1	Plate, IDENTIFICATION			
52	53038006	6	Washer DIN 6798-A 6			



D_5032_3		Cooling System 3/3				
FIG.	REF.	QTY	DESCR.	FROM	UPTO	
1	24890051	2	Cover			
2	24890052	2	O-Ring D. 32X2,5			
3	24890053	2	Elbow			
4	24890054	1	Cooler Pipe			

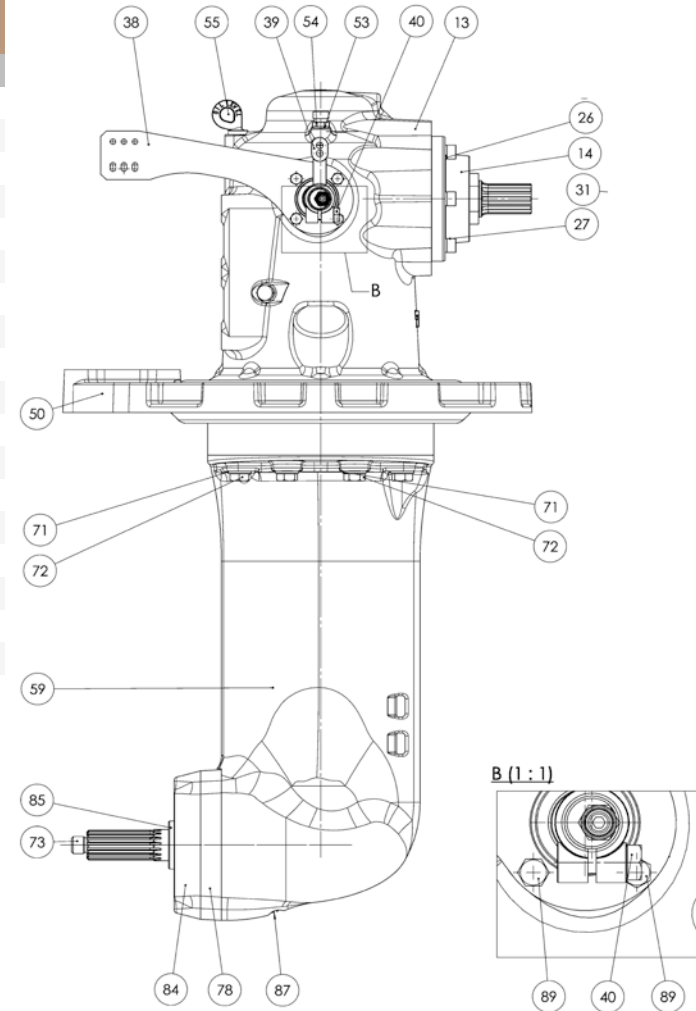


D_5032_4		Maintenance Kit			
FIG.	REF.	QTY	DESCR.	FROM	UPTO
1	24890401	1	Kit Gasket		
2	A0201000	2	ATF Sole Diesel Oil 1L		



D_5037_1 Sheet 1/4 SP60 S.Drive V1

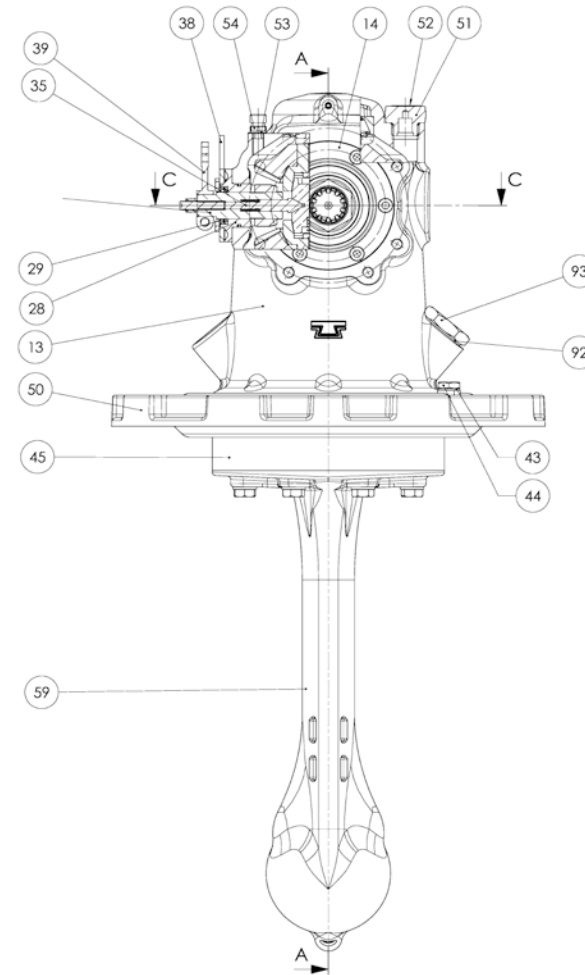
FIG.	REF.	QTY	DESCR.	FROM	UPTO
13	24813500.13	1	Body [NP]		
26	24813500.26	6	Washer		
27	24860047	6	Bolt DIN 912 M8-30 8.8 [NP]		
38	24813500.38	1	Bracket Control		
39	24810424	1	Lever		
40	24810047	1	Bolt DIN 933 M8-25 8.8 [NP]		
50	24813500.50	1	Flange CLOSING MEMBRANE		
53	24810063	2	Plane Washer		
54	24810065	1	Plug		
55	24813500.55	1	Gauge Oil LEVEL		
59	24813500.59	1	Body		
71	24813500.71	8	Washer [NP]		
72	24813500.72	8	Screw		
73	24813500.73	1	Propeller Shaft		
78	24813500.78	1	Body		
84	24813500.84	1	Anode SP60		
85	24813500.85	1	Spacer		
87	24813500.87	1	Plug,oil drain		
89	24813500.89	4	Bolt DIN 933 M6-10 8.8 [NP]		



[NP] Not provided



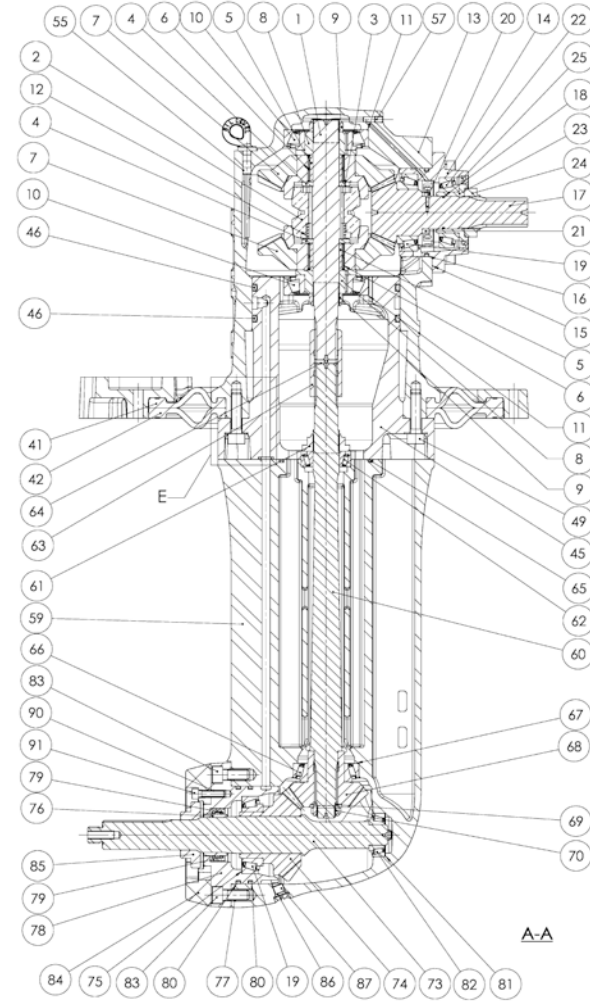
D_5037_2		Sheet 2/4 SP60 S.Drive V1			
FIG.	REF.	QTY	DESCR.	FROM	UPTO
14	24813500.14	1	Body		
28	24813500.28	1	Body Control		
29	24860404	1	Oil Seal		
31	24860402	1	Shaft		
35	24860423	1	PAD		
43	24810522	1	Washer		
44	24813500.44	1	Plug [NP]		
45	24813500.45	1	Cover		
51	24813500.51	1	Plug [NP]		
52	24860006	1	ATF Oil Plate		
92	24830035	1	Washer		
93	24813500.93	1	Plug		



[NP] Not provided



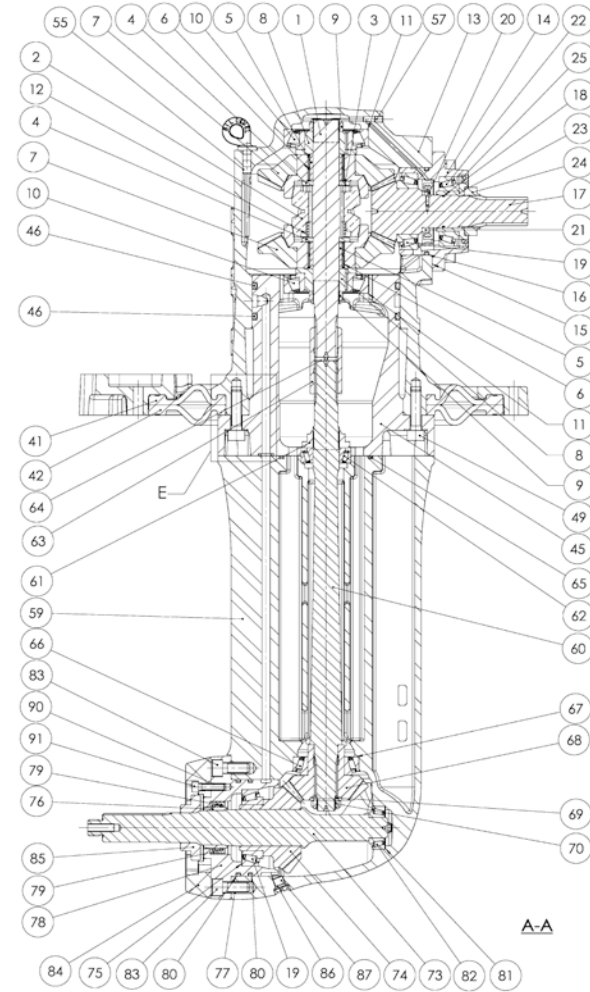
D_5037_3		Sheet 3/4 SP60 S.Drive V1			
FIG.	REF.	QTY	DESCR.	FROM	UPTO
1	24813500.01	1	Shaft,Output [NP]		
2	24813500.02	1	Cone Clutch		
3	24813500.03	4	Spacer [NP]		
4	24860217	2	Spacer		
5	24813500.05	2	Ring,Bearing		
6	24813500.06	4	Bearing, needle		
7	24813500.07	2	Gear		
8	24813500.08	2	Cover		
9	24813500.09	2	Nut		
10	24813500.10	2	Bearing		
11	24810333	2	Spacer		
12	24813500.12	1	Spring		
17	24813500.17	1	Shaft		
20	24813500.20	1	Screw		
41	24813500.41	1	Gasket		
42	24813500.42	1	Gasket		
46	24813500.46	2	O-Ring		
57	24810506	1	Screw		
60	24813500.60	1	Shaft		
61	24813500.61	1	Ring		
62	24860206	1	Conical Roller Bearing 32005		
63	24813500.63	1	Guide [NP]		
64	24813500.64	1	CIRClip		
65	24813500.65	1	O-Ring		
66	24813500.66	1	Bearing		
67	24813500.67	2	Spacer		
68	24813500.68	1	Gear		
69	24813500.69	2	Washer [NP]		
70	24813500.70	1	Nut		
74	24813500.74	1	Gear		
75	24850108	2	Shim Adjusting		
76	24813500.76	1	Bushing		
77	24813500.77	2	HELICOil		
79	24813500.79	2	Oil Seal		
80	24813500.80	2	O-Ring D. 90X3,5		



[NP] Not provided

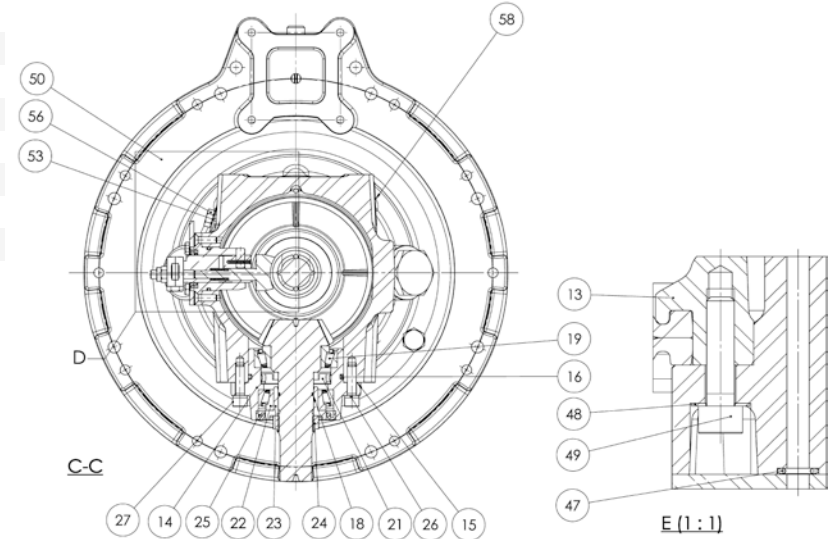
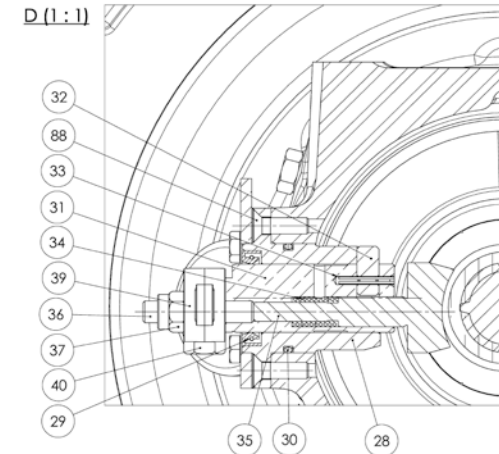


D_5037_3		Sheet 3/4 SP60 S.Drive V1				
FIG.	REF.	QTY	DESCR.	FROM	UPTO	
81	24813500.81	3	Spacer			
82	24813500.82	1	Bearing			
83	24813500.83	2	Screw			
86	24813500.86	1	O-Ring D. 8X1,5			
90	24813500.90	3	HELICOil [NP]			
91	24813500.91	3	Screw			



D_5037_4 Sheet 4/4 SP60 S.Drive V1

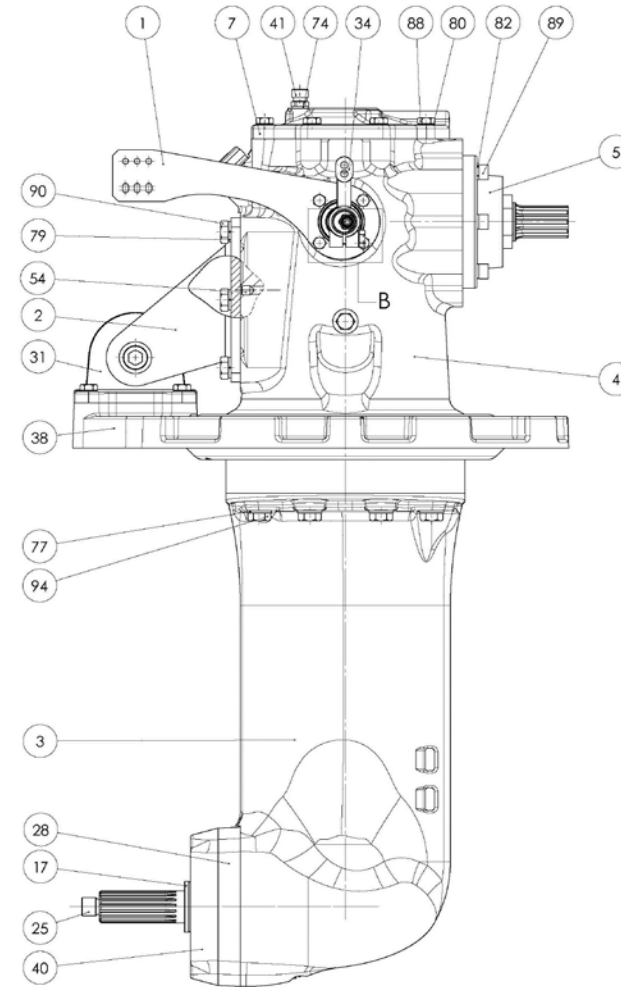
FIG.	REF.	QTY	DESCR.	FROM	UPTO
15	24813500.15	2	Spacer		
16	24813500.16	1	O-Ring		
18	24813500.18	1	O-Ring		
19	24850104	2	Conical Roller Bearing 32009-X		
21	24813500.21	1	Impeller		
22	24813500.22	1	Bearing		
23	24813500.23	1	Cover		
24	24813500.24	1	Nut		
25	24813500.25	1	Oil Seal		
30	24860417	1	O-Ring		
32	24860419	1	Pin		
33	24860418	1	Pin DIN 1481 3-20 [NP]		
34	24860411	1	Spring		
36	24860409	1	Screw		
37	24860408	1	Nut DIN 985 M8 5.6 [NP]		
47	24813500.47	1	O-Ring		
48	24813500.48	8	Washer [NP]		
49	24813500.49	8	Screw		
56	24850011	1	Plug,oil drain		
58	24850005	1	Plate, IDENTIFICATION		
88	24813500.88	4	Screw [NP]		



[NP] Not provided



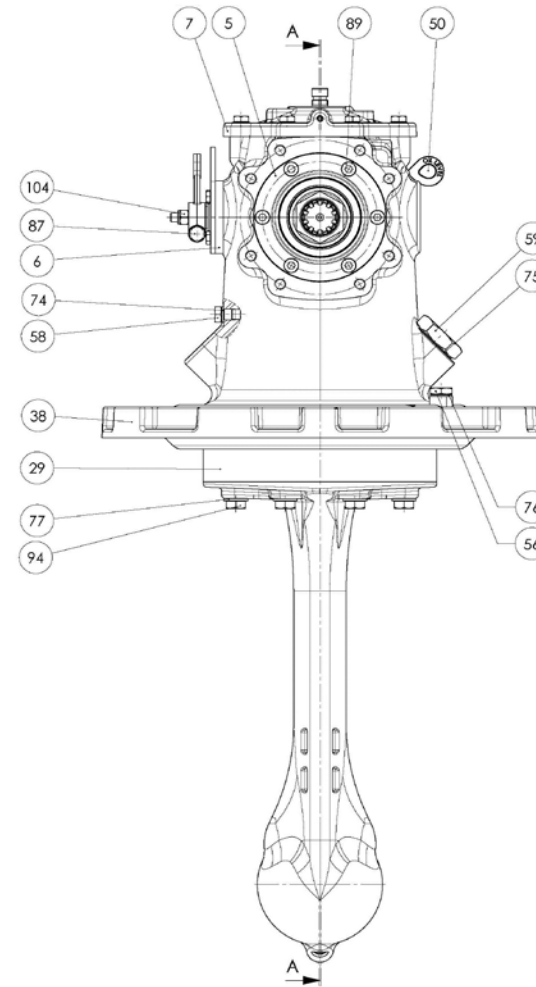
D_5037_6		Sheet 1/4 SP60 S.Drive V2			
FIG.	REF.	QTY	DESCR.	FROM	UPTO
1	24813500.38	1	Bracket Control	27/09/2016	
2	24813500.95	1	Bracket [NP]	27/09/2016	
3	24813500.59	1	Body	27/09/2016	
4	24813500.13.1	1	Body	27/09/2016	
5	24813500.14	1	Body	27/09/2016	
7	24813500.104.1	1	Body	27/09/2016	
17	24813500.94	1	Spacer	27/09/2016	
25	24813500.73	1	Propeller Shaft	27/09/2016	
28	24813500.78	1	Body	27/09/2016	
31	24813500.96	1	Flexible	27/09/2016	
34	24810424	1	Lever	27/09/2016	
38	24813500.50	1	Flange CLOSING MEMBRANE	27/09/2016	
40	24813500.116	1	Zinc Anode	27/09/2016	
41	24810065	1	Plug	27/09/2016	
54	24813500.123	1	Screw	27/09/2016	
74	24810063	2	Plane Washer	27/09/2016	
77	24813500.126	8	Washer	27/09/2016	
79	24820075	6	Washer GROWER DIN 127-10 [NP]	27/09/2016	
80	24850093	12	Washer	27/09/2016	
82	24813500.26	6	Washer	27/09/2016	
88	24830106	12	Bolt DIN 933 M8-30 8.8 [NP]	27/09/2016	
89	24860047	6	Bolt DIN 912 M8-30 8.8 [NP]	27/09/2016	
90	24820076	6	Bolt DIN 933 M10-30 8.8 [NP]	27/09/2016	



[NP] Not provided



D_5037_7		Sheet 2/4 SP60 S.Drive V2			
FIG.	REF.	QTY	DESCR.	FROM	UPTO
6	24813500.28	1	Body Control	27/09/2016	
104	24813500.131	1	Nut	27/09/2016	
29	24813500.45	1	Cover	27/09/2016	
50	24813500.121	1	Gauge Oil Level	27/09/2016	
56	24813500.124	1	Plug	27/09/2016	
58	24850011	1	Plug,oil drain	27/09/2016	
59	24813500.93	1	Plug	27/09/2016	
75	24830035	1	Washer	27/09/2016	
76	24810522	1	Washer	27/09/2016	
87	24810047	1	Bolt DIN 933 M8-25 8.8 [NP]	27/09/2016	
94	24813500.72	8	Screw	27/09/2016	

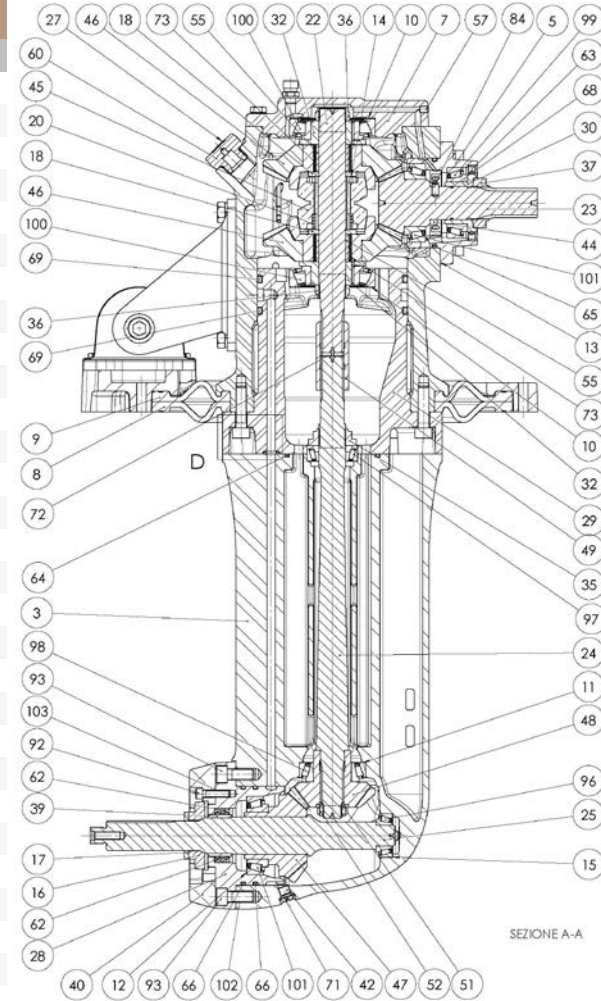


[NP] Not provided



D_5037_8 **Sheet 3/4 SP60 S.Drive V2**

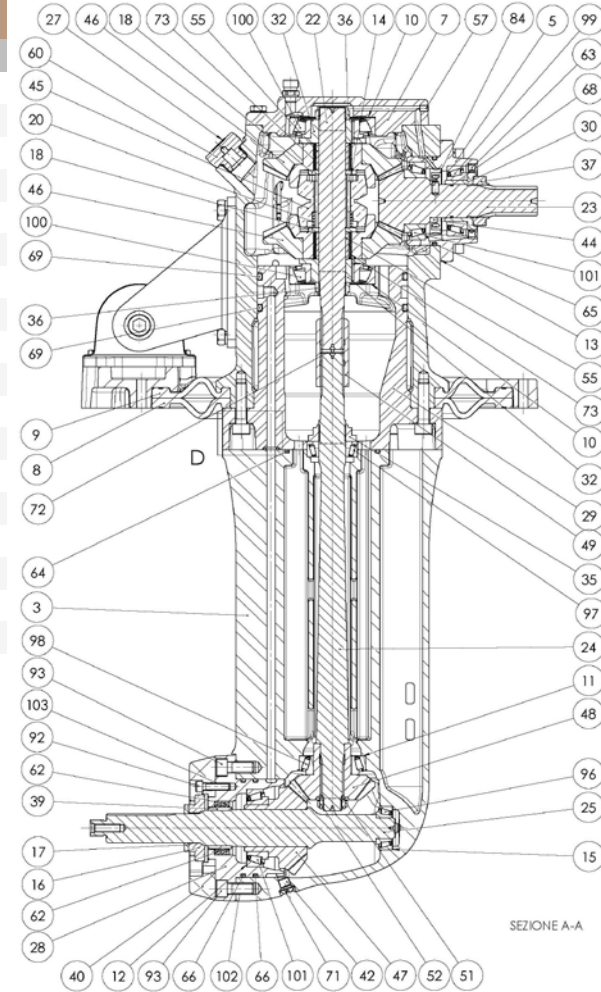
FIG.	REF.	QTY	DESCR.	FROM	UPTO
8	24813500.42	1	Gasket	27/09/2016	
9	24813500.41	1	Gasket	27/09/2016	
10	24810333	6	Spacer	27/09/2016	
100	24813500.10	2	Bearing	27/09/2016	
101	24850104	2	Conical Roller Bearing 32009-X	27/09/2016	
102	24813500.77	2	HELICOil	27/09/2016	
103	24813500.130	3	Helicoil	27/09/2016	
11	24813500.67	2	Spacer	27/09/2016	
12	24850108	2	Shim Adjusting	27/09/2016	
13	24813500.15	2	Spacer	27/09/2016	
14	24813500.113	2	Spacer	27/09/2016	
15	24813500.81	3	Spacer	27/09/2016	
16	24813500.85	1	Spacer	27/09/2016	
18	24860217	2	Spacer	27/09/2016	
20	24813500.12	1	Spring	27/09/2016	
22	24813500.114	1	Shaft, Output	27/09/2016	
23	24813500.17	1	Shaft	27/09/2016	
24	24813500.60	1	Shaft	27/09/2016	
27	24860006	1	ATF Oil Plate	27/09/2016	
30	24813500.23	1	Cover	27/09/2016	
32	24813500.115	2	Bearing Support	27/09/2016	
35	24813500.61	1	Ring	27/09/2016	
36	24813500.09	2	Nut	27/09/2016	
37	24813500.24	1	Nut	27/09/2016	
39	24813500.76	1	Bushing	27/09/2016	
42	24813500.87	1	Plug,oil drain	27/09/2016	
44	24813500.21	1	Impeller	27/09/2016	
45	24813500.02	1	Cone Clutch	27/09/2016	
46	24813500.117	2	Gear	27/09/2016	
47	24813500.118	1	Gear	27/09/2016	
48	24813500.119	1	Pinion	27/09/2016	
49	24813500.120	1	Shaft Coupling	27/09/2016	
51	24813500.122	2	Washer	27/09/2016	
52	24813500.70	1	Nut	27/09/2016	
55	24813500.05	2	Ring,Bearing	27/09/2016	



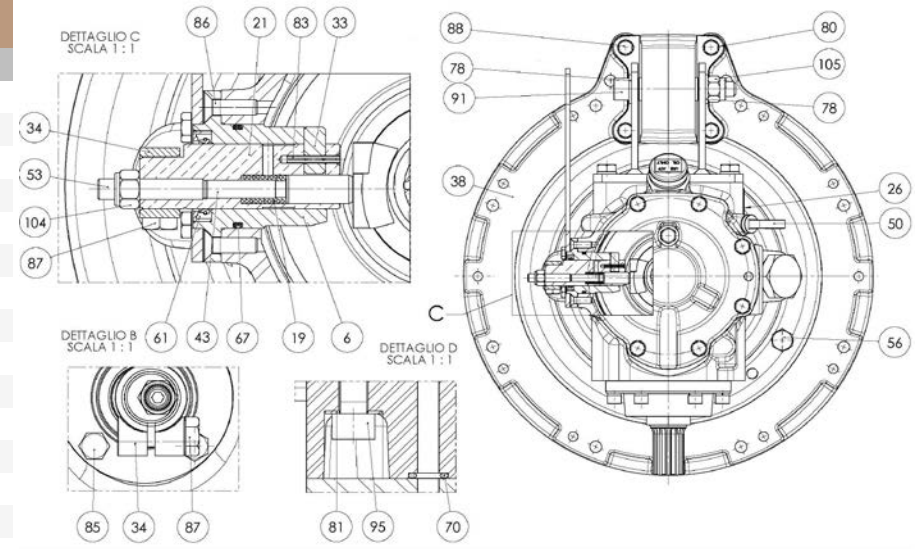
SEZIONE A-A



D_5037_8		Sheet 3/4 SP60 S.Drive V2			
FIG.	REF.	QTY	DESCR.	FROM	UPTO
57	24810326	1	Plug	27/09/2016	
60	24813500.125	1	Plug	27/09/2016	
62	24813500.79	2	Oil Seal	27/09/2016	
63	24813500.25	1	Oil Seal	27/09/2016	
64	24813500.65	1	O-Ring	27/09/2016	
65	24813500.16	1	O-Ring	27/09/2016	
66	24813500.80	2	O-Ring D. 90X3,5	27/09/2016	
68	24813500.18	1	O-Ring	27/09/2016	
69	24813500.46	2	O-Ring	27/09/2016	
71	24813500.86.1	1	O-Ring	27/09/2016	
72	24813500.64	1	CIRClip	27/09/2016	
73	24813500.06	4	Bearing, needle	27/09/2016	
84	24813500.128	1	Pin	27/09/2016	
92	24813500.91	3	Screw	27/09/2016	
93	24813500.83	2	Screw	27/09/2016	
96	24813500.82	1	Bearing	27/09/2016	
97	24860206	1	Conical Roller Bearing 32005	27/09/2016	
98	24813500.66	1	Bearing	27/09/2016	
99	24813500.22	1	Bearing	27/09/2016	



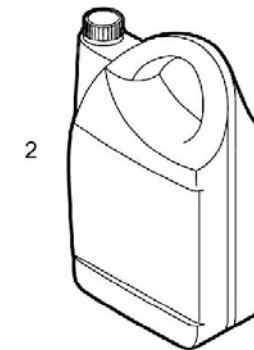
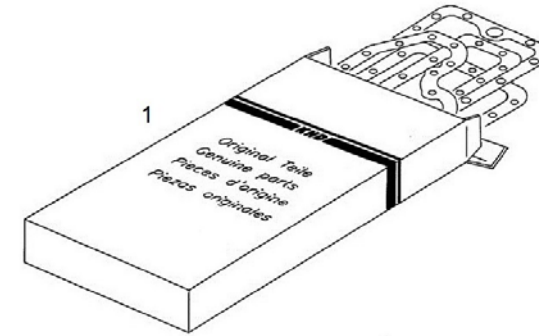
D_5037_9		Sheet 4/4 SP60 S.Drive V2			
FIG.	REF.	QTY	DESCR.	FROM	UPTO
105	24813500.99	1	Nut [NP]	27/09/2016	
19	24860411	1	Spring	27/09/2016	
21	24860402	1	Shaft	27/09/2016	
26	24850005	1	Plate, IDENTIFICATION	27/09/2016	
33	24860419	1	Pin	27/09/2016	
43	24860423	1	PAD	27/09/2016	
53	24860409	1	Screw	27/09/2016	
61	24860404	1	Oil Seal	27/09/2016	
67	24860417	1	O-Ring	27/09/2016	
70	24813500.47	1	O-Ring	27/09/2016	
78	24813500.97	2	Washer DIN 125-14 [NP]	27/09/2016	
81	24813500.127	8	Washer	27/09/2016	
83	24860418	1	Pin DIN 1481 3-20 [NP]	27/09/2016	
85	24813500.89	4	Bolt DIN 933 M6-10 8.8 [NP]	27/09/2016	
86	24813500.129	4	Screw	27/09/2016	
91	24813500.98	1	Bolt	27/09/2016	
95	24813500.49	8	Screw	27/09/2016	



[NP] Not provided

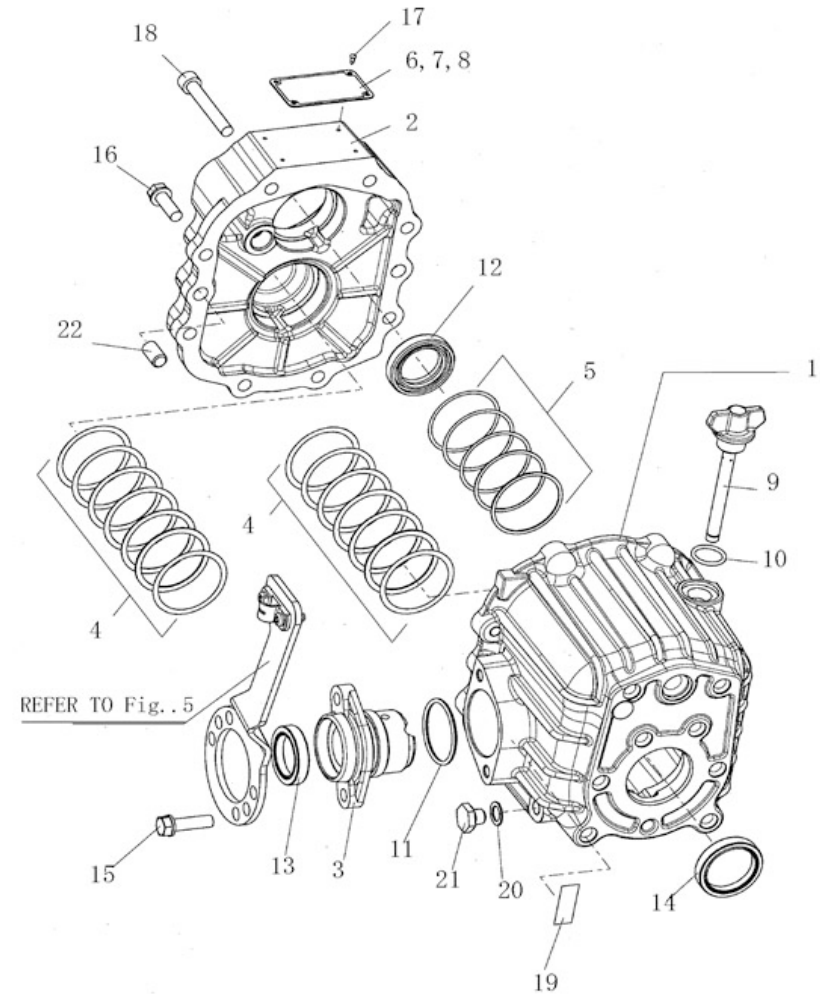


D_5037_5 Maintenance Kit						
FIG.	REF.	QTY	DESCR.	FROM	UPTO	
1	24813401	1	Kit Gasket			
2	A0201000	3	ATF Sole Diesel Oil 1L			
NS	24813500.84	1	Anode SP60 [NS]			



[NS] Not shown

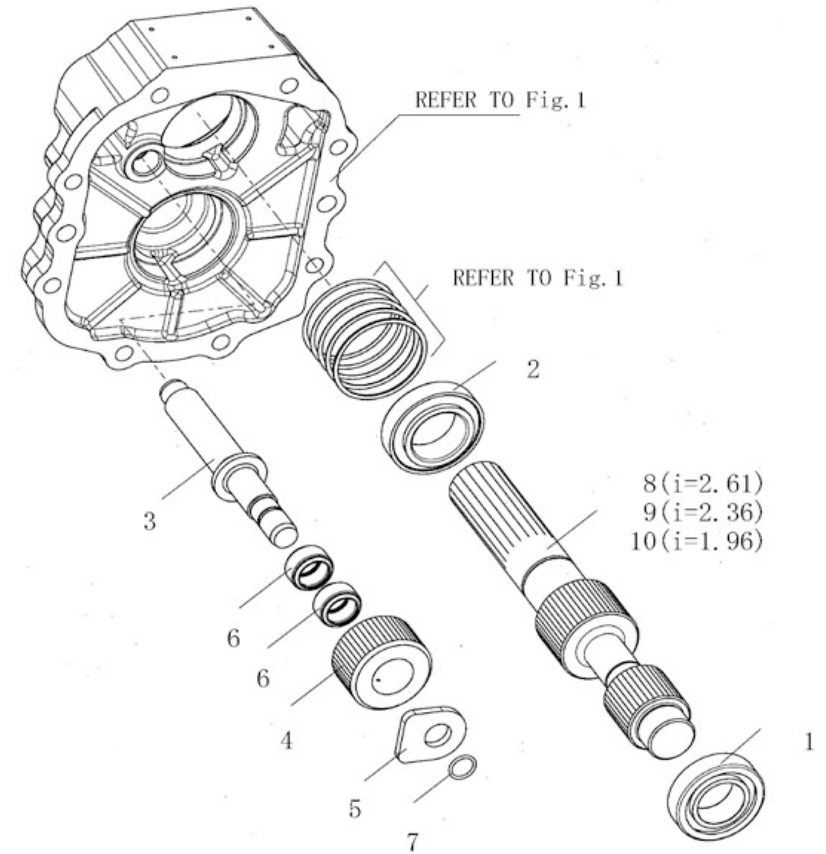
D_5006_1 Housing 1/5						
FIG.	REF.	QTY	DESCR.	FROM	UPTO	
1	24910002	1	Housing Clutch TTMC35P-B4 [NP]			
2	24910001	1	Housing Front TTMC35P-B4 [NP]			
3	24910401	1	Body,Control [NP]			
4	24910212	2	Shim Set [NP]			
5	24910112	1	Shim Set [NP]			
6	24914005	1	LABEL Assy, TTMC 2.61 [NP]			
7	24913005	1	LABEL Assy, TTMC 2.36 [NP]			
8	24912005	1	LABEL Assy, TTMC 1.96 [NP]			
9	24910008	1	Gauge Oil LEVEL			
10	24910010	1	O-Ring			
11	24910417	1	O-Ring			
12	24910103	1	Oil Seal			
13	24910404	1	Seal			
14	24910214	1	Oil Seal [NP]			
15	52102259	2	Bolt DIN 933 M8-30 8.8			
16	52102258	6	Bolt DIN 933 M8-25 8.8			
17	24910004	4	RIVET [NP]			
18	52101264	2	Bolt DIN 931 M8-55 8.8			
19	24910006	1	LABEL, Oil [NP]			
20	56000061	1	Washer 10-16-1,5			
21	24910011	1	Plug,oil drain			
22	24910007	2	Pin 10X16 [NP]			



[NP] Not provided

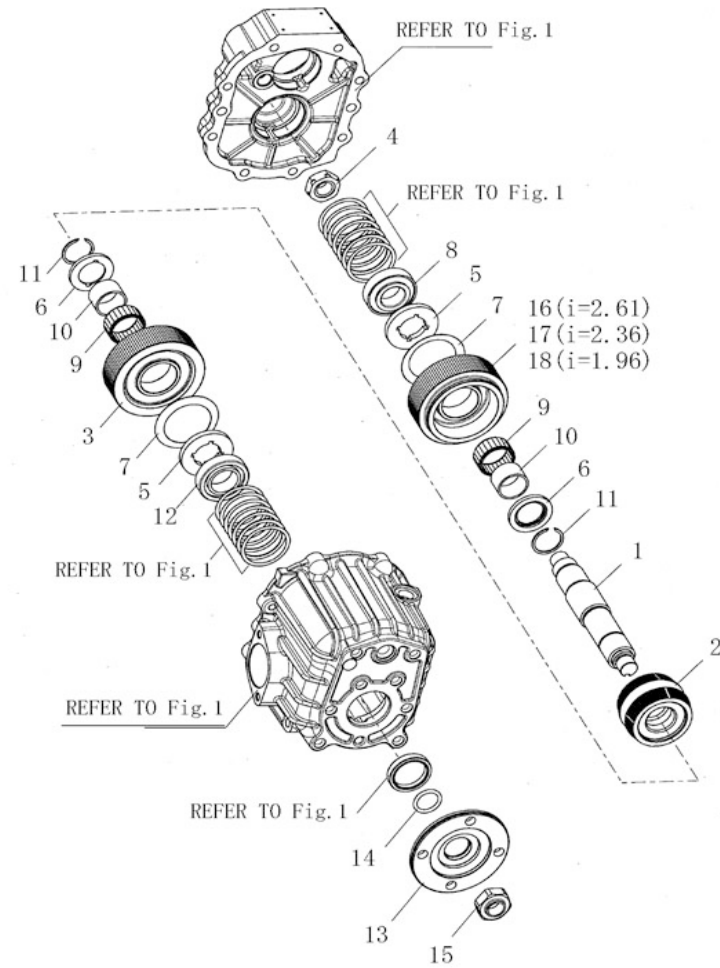


D_5006_2		Input & Intermediate Shaft 2/5			
FIG.	REF.	QTY	DESCR.	FROM	UPTO
1	24910104	1	Bearing		
2	24910105	1	Bearing		
3	24910301	1	Shaft, IDLE Gear [NP]		
4	24910302	1	Gear, IDLE Z=26 [NP]		
5	24910305	1	Washer, THRUST [NP]		
6	24910306	2	Bearing, NEEDLE		
7	24910307	1	Washer		
8	24914101	1	Shaft, Input [NP]		
9	24913101	1	Shaft, Input [NP]		
10	24912101	1	Shaft, Input		



[NP] Not provided

D_5006_3 Output Shaft 3/5						
FIG.	REF.	QTY	DESCR.	FROM	UPTO	
1	24910201	1	Shaft Output [NP]			
2	24910202	1	CONE			
3	24914203	1	Gear Front [NP]			
4	24910219	1	Nut [NP]			
5	24910215	2	Shim, Adjusting [NP]			
6	24910216	2	Shim, Adjusting [NP]			
7	24910217	2	Spacer, Gear			
8	24910206	1	Bearing			
9	24910204	2	Bearing NEEDLE			
10	24910205	2	Ring			
11	24910207	2	Ring, INNER			
12	24910208	1	Bearing			
13	24910225	1	Flange, Output			
14	24910231	1	O-Ring			
15	24910226	1	Nut			
16	24914203	1	Gear Front [NP]			
17	24913203	1	Gear Front [NP]			
18	24912203	1	Gear Front			

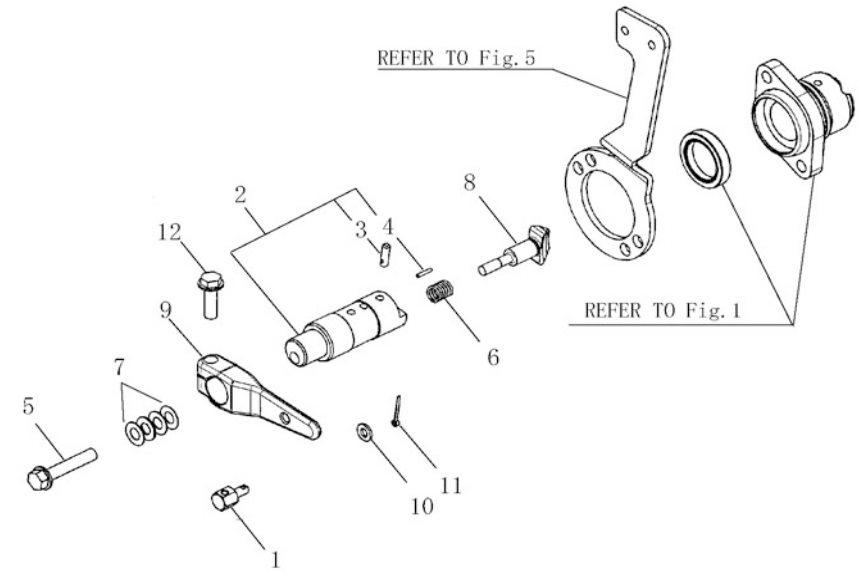


[NP] Not provided





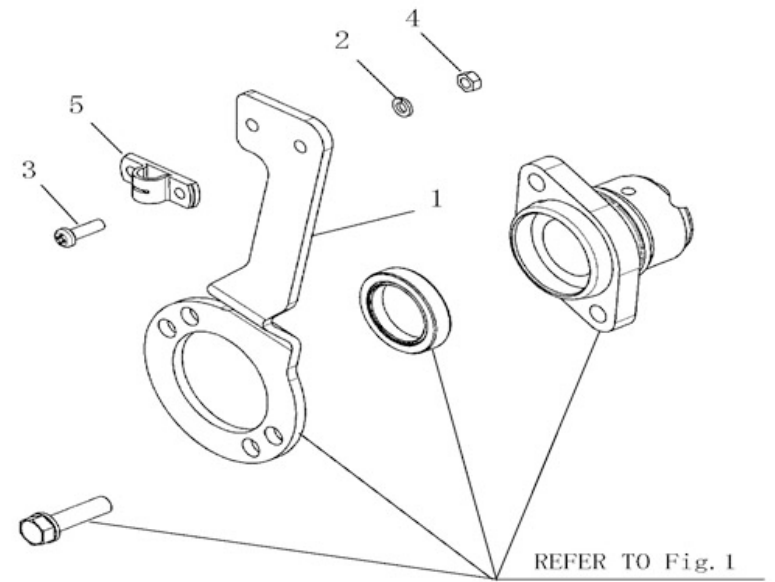
D_5006_4		Remote Control Device 4/5			
FIG.	REF.	QTY	DESCR.	FROM	UPTO
1	24910915	1	Coupling,cable		
2	24910402	1	Shaft Assy, Lever [NP]		
3	24910418	1	Pin [NP]		
4	24910419	1	Pin [NP]		
5	24910407	1	Bolt,SHIFT Lever		
6	24910411	1	Spring [NP]		
7	24910406	1	Shim Set		
8	24910403	1	ARM, Control		
9	24910424	1	Lever,Drive		
10	51030006	1	Washer DIN 125-6		
11	54051155	1	Pin DIN-94 1,6-16		
12	52102258	1	Bolt DIN 933 M8-25 8.8		



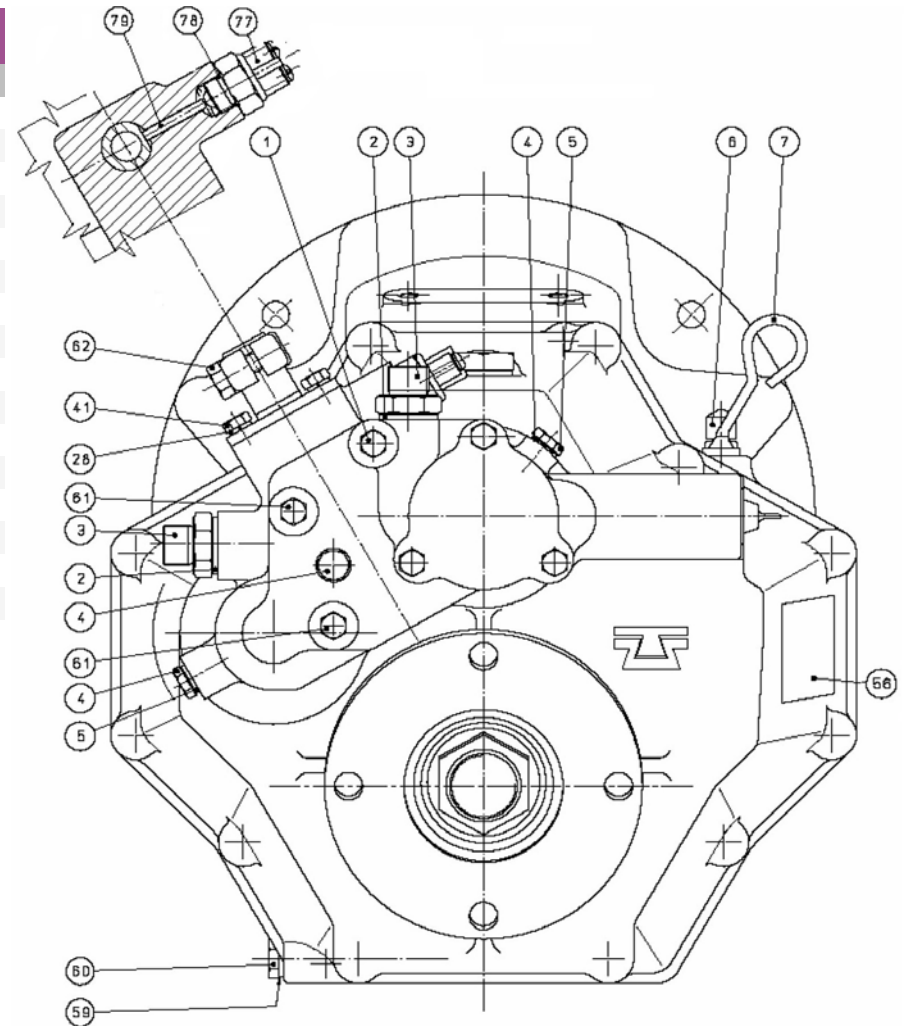
[NP] Not provided



D_5006_5		Remote Control Pasive Unit 5/5			
FIG.	REF.	QTY	DESCR.	FROM	UPTO
1	24910901	1	STAY,REMOTE-Control		
2	53033005	2	Washer GROWER DIN 127-5		
3-5	24810913	1	Clamp,CABLE		



D_5023_1		Sheet 1/4				
FIG.	REF.	QTY	DESCR.	FROM	UPTO	
1	24850091	1	Screw			
2	24850092	3	Washer			
3	24850090	2	Washer			
4	24820068	3	Plug M8X1			
5	24820086	3	Washer 8-13-1,5 [NP]			
6	24810065	1	Plug			
7	24850008	1	Gauge Oil LEVEL			
26	24850028	11	Screw			
41	24810044	5	Bolt DIN 933 M6-16 8.8 [NP]			
56	24850005	1	Plate, IDENTIFICATION			
59	24810063	1	Plane Washer			
60	24850011	1	Plug,oil drain			
61	24850040	2	Bolt DIN 933 M6-25 8.8 [NP]			
62	24810047	1	Bolt DIN 933 M8-25 8.8 [NP]			
77	24810532	1	SWITCHER			
78	24810533	1	O-Ring D. 14X1,7			
79	24850527	1	Pin			



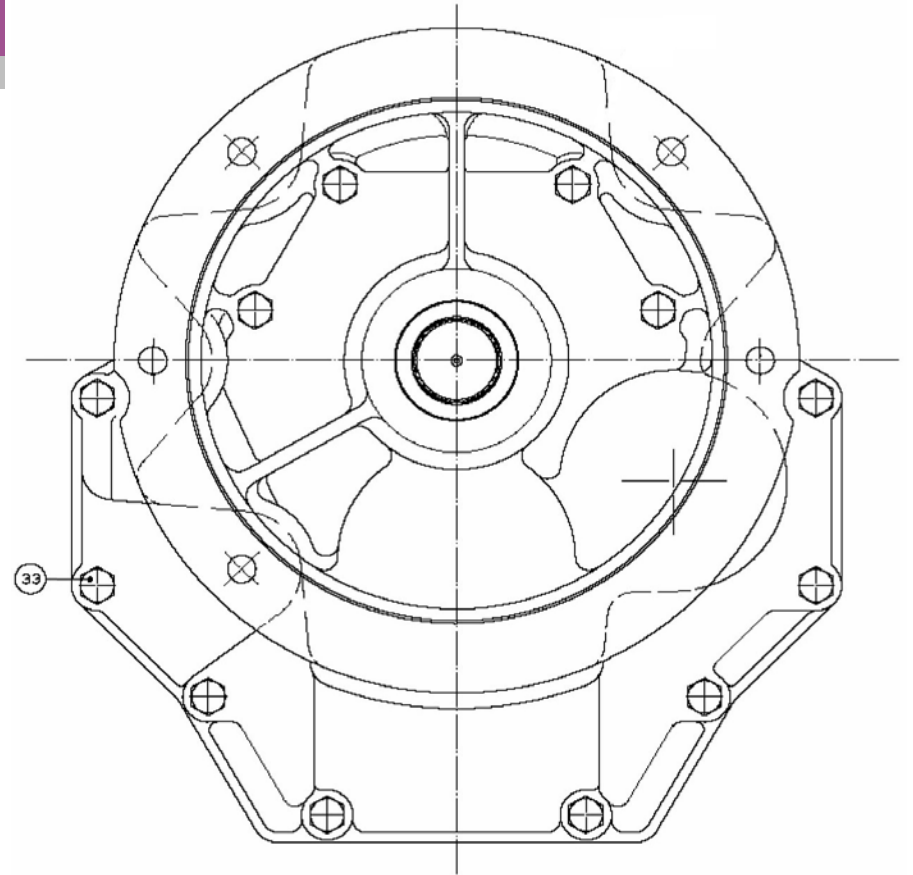
[NP] Not provided





D_5023_2		Sheet 2/4			
FIG.	REF.	QTY	DESCR.	FROM	UPTO

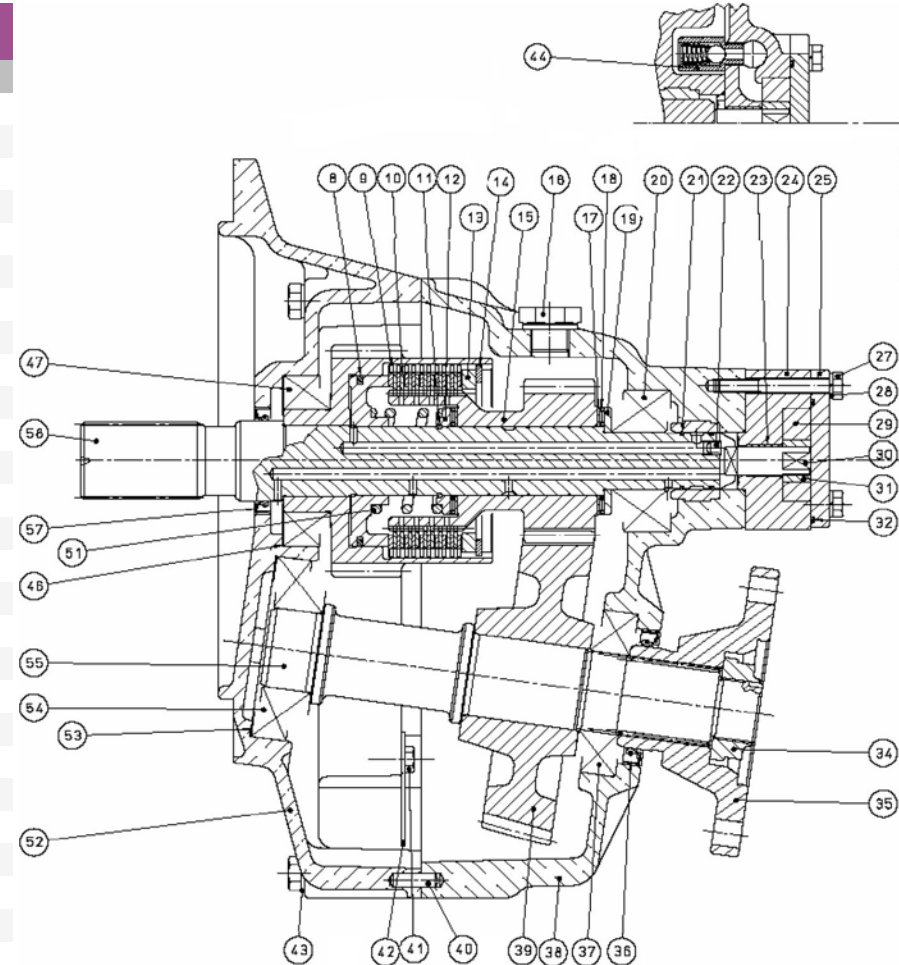
33	24830113	1	Screw		
----	----------	---	-------	--	--





D_5023_3 Sheet 3/4

FIG.	REF.	QTY	DESCR.	FROM	UPTO
8	24850323	2	Washer		
9-10	24850403	2	Clutch Plate Kit		
11	24850310	2	Ring		
12	24850307	2	Ring		
13	24850333	2	Spacer		
14	24850312	2	SEGER		
15A	24852203	1	Gear R. 1,54 TM 345		
15B	24853203	1	Gear R. 2 TM 345		
15C	24854203	1	Gear R. 2,47 TM 345		
16	24850012	1	Plug		
17	24850318	4	Ring		
18	24850306	4	Bearing, needle		
19	24850325	2	Washer		
20	24850308	2	Conical Roller Bearing 32305		
21	24850328	4	Washer		
22	24810326	2	Plug		
23	24850016	1	Bushing		
24	24850020	1	PUMB Box		
25	24850015	1	Pump Cover		
27	24850029	3	Screw		
28	24810042	9	Washer GROWER DIN 127-6 [NP]		
29	24850095	1	Gear, Pump Out		
30	24850094	1	Pump Shaft		
31	24850096	1	Gear, Pump INNER		
32	24850097	1	O-Ring D. 50X1,7		
34	24850099	1	Nut		
35	24850224A	1	Flange, Output TM-345A		
36	24840103	1	Grommet		
37	24850212	1	Conical Roller Bearing 30207A		
38	24850001A	1	Front Body TM-345A		
39A	24852210	1	Gear R. 1,54 TM 345		
39B	24853210	1	Gear R. 2 TM 345		
39C	24854210	1	Gear R. 2,47 TM 345		
40	24850013	2	Pin		
42	24850080	1	Plate Pipe		



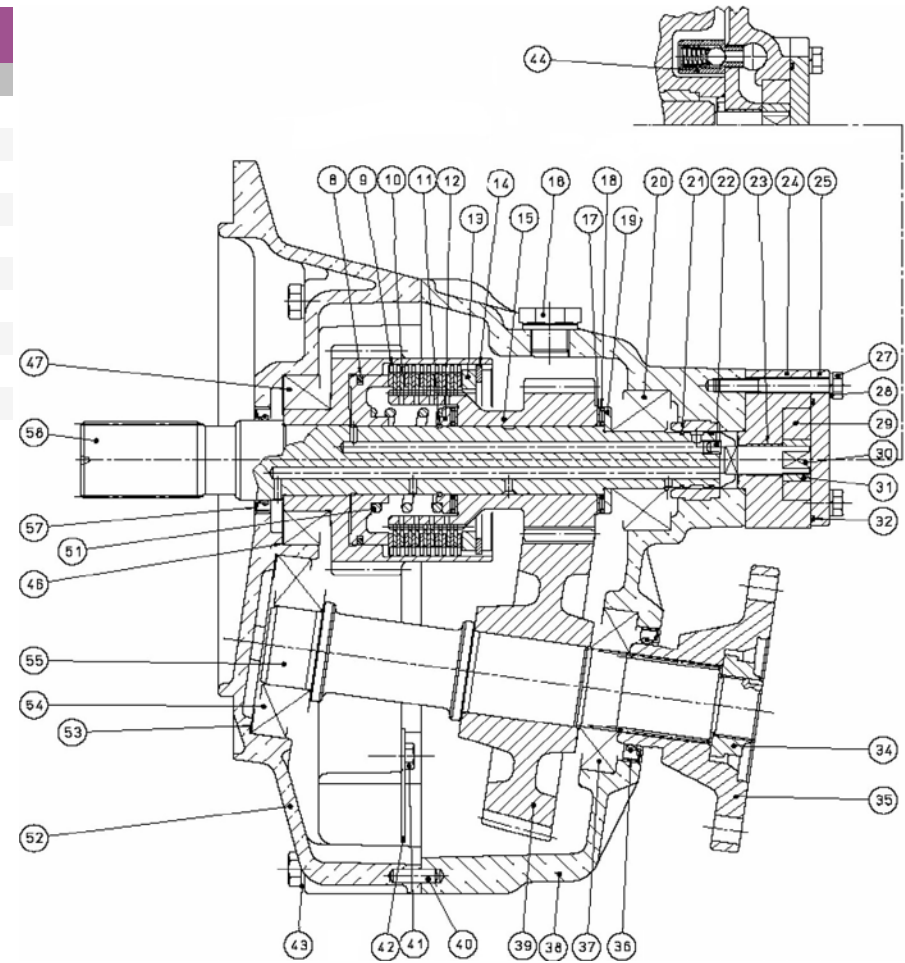
[NP] Not provided



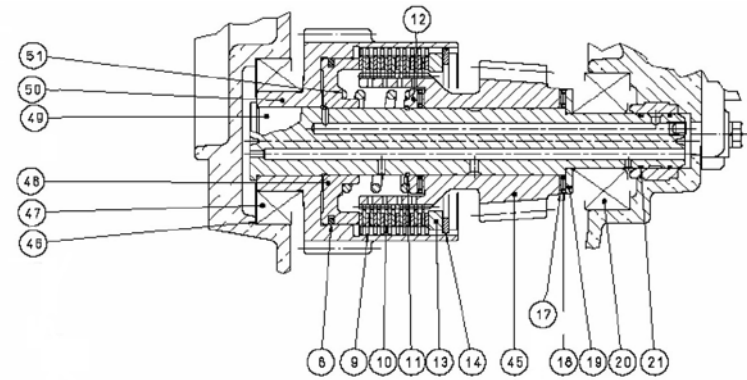


D_5023_3 **Sheet 3/4**

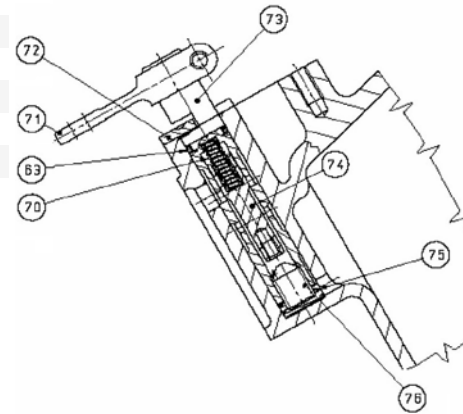
FIG.	REF.	QTY	DESCR.	FROM	UPTO
43	24850093	12	Washer		
44	24850063	1	By pass Valve		
46	24850108	6	Shim Adjusting		
47	24850104	2	Conical Roller Bearing 32009-X		
51	24850122	2	Spring		
52	24850207A	1	Cover TM-345A		
53	24810333	3	Spacer		
54	24850206	1	Conical Roller Bearing 31307A		
55	24850201	1	Output Shaft		
57	24810103S	1	Grommet, Oil SILICON		
58	24850101	1	Input Shaft		



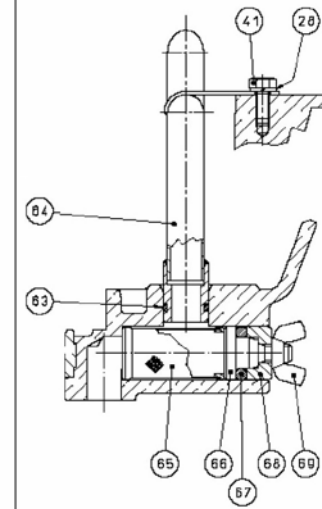
D_5023_4		Sheet 4/4				
FIG.	REF.	QTY	DESCR.	FROM	UPTO	
45A	24852203	1	Gear R. 1,54 TM 345			
45B	24853203	1	Gear R. 2 TM 345			
45C	24854203	1	Gear R. 2,47 TM 345			
48	24850124	2	Piston			
49	24850301	1	INTERMEDIATE Shaft			
50	24850330	1	Bell			
63	24810056	2	O-Ring D. 15,08X2,62 [NP]			
64	24850081	1	Aspiration Tube			
65	24810035	1	Oil Filter			
66	24850085	1	Pin			
67	24850059	1	O-Ring D. 50X5,3			
68	24850076	1	Spacer			
69	24850057	1	Nut			
70	24850030	1	Spring			
71	24810424	1	Lever			
72	24810041	1	Support			
73	24850062	1	Selector Valve			
74	24850052	1	Valve			
75	24850078	1	Spring			
76	24850079	1	Screw			



INTERMEDIATE SHAFT ASSEMBLY



SELECTOR VALVE ASSEMBLY

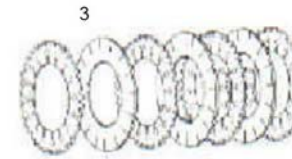
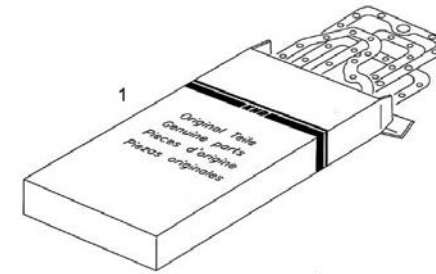


OIL FILTER ASSEMBLY

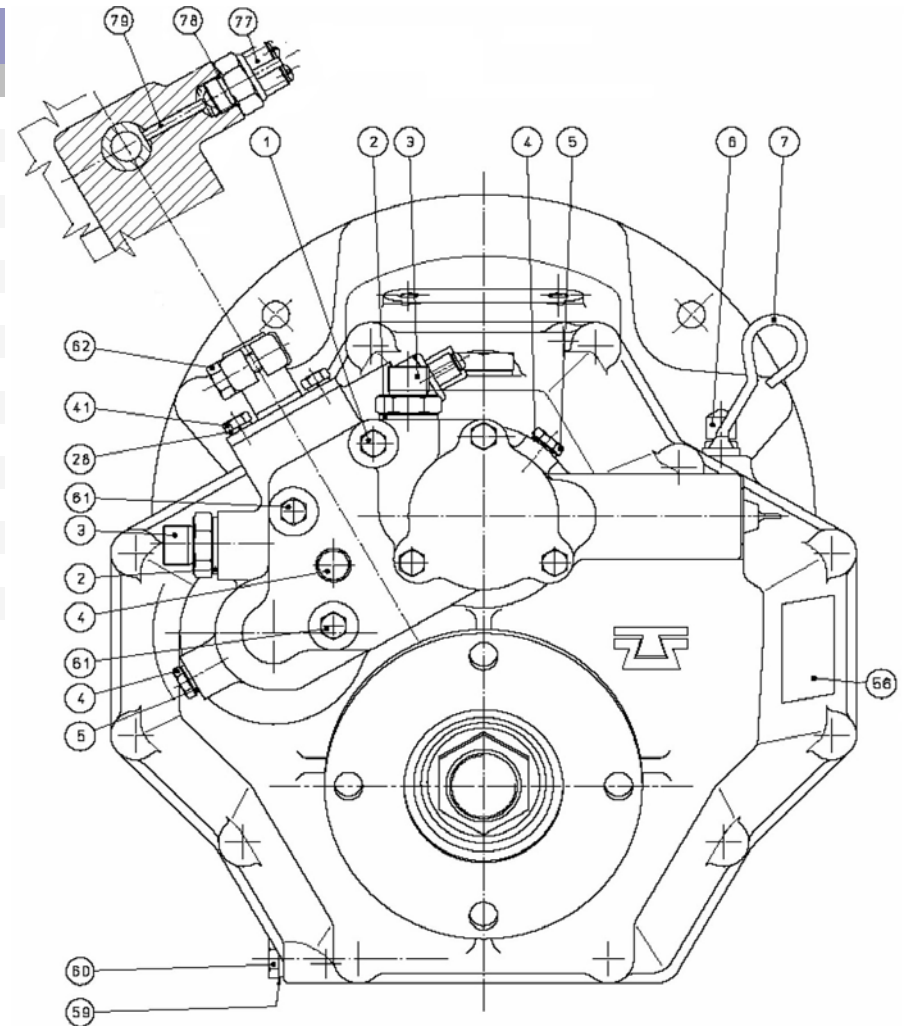
[NP] Not provided



D_5023_5 Maintenance Kit						
FIG.	REF.	QTY	DESCR.	FROM	UPTO	
1	24850401	1	Kit Gasket			
2	A0105000	1	15W40 Sole Diesel Oil 5L			
3	24850403	2	Clutch Plate Kit			



D_5024_1		Sheet 1/4				
FIG.	REF.	QTY	DESCR.	FROM	UPTO	
1	24850091	1	Screw			
2	24850092	3	Washer			
3	24850090	2	Washer			
4	24820068	3	Plug M8X1			
5	24820086	3	Washer 8-13-1,5 [NP]			
6	24810065	1	Plug			
7	24850008	1	Gauge Oil LEVEL			
26	24850028	11	Screw			
41	24810044	5	Bolt DIN 933 M6-16 8.8 [NP]			
56	24850005	1	Plate, IDENTIFICATION			
59	24810063	1	Plane Washer			
60	24850011	1	Plug,oil drain			
61	24850040	2	Bolt DIN 933 M6-25 8.8 [NP]			
62	24810047	1	Bolt DIN 933 M8-25 8.8 [NP]			
77	24810532	1	SWITCHER			
78	24810533	1	O-Ring D. 14X1,7			
79	24850527	1	Pin			



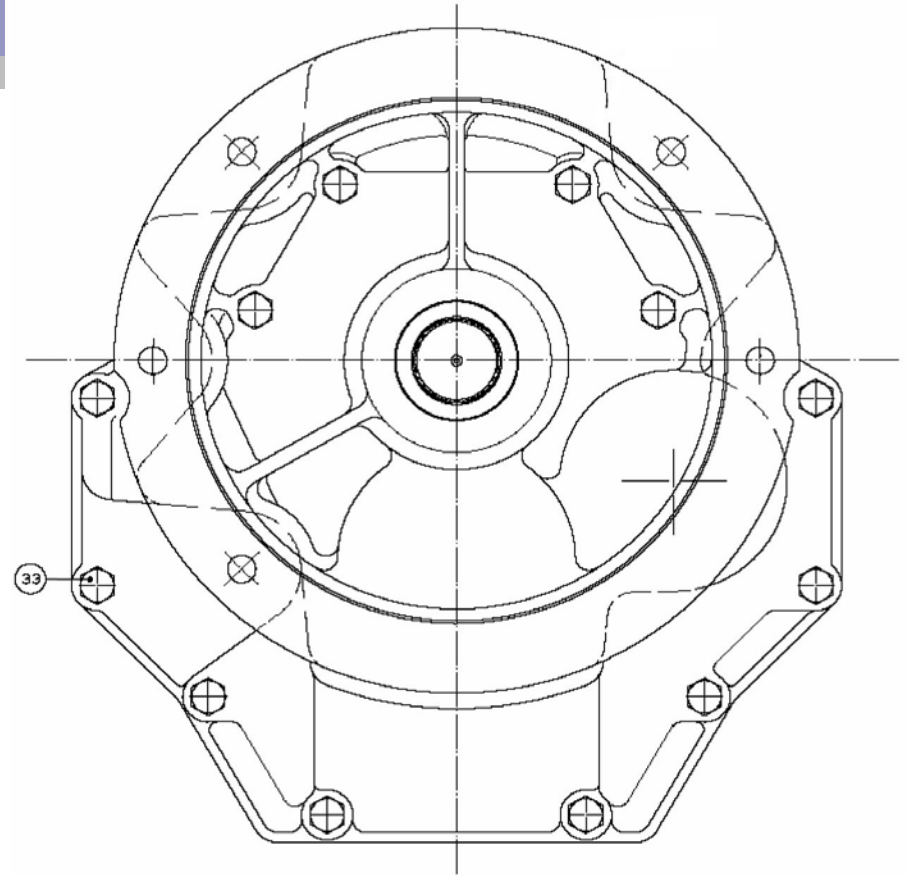
[NP] Not provided





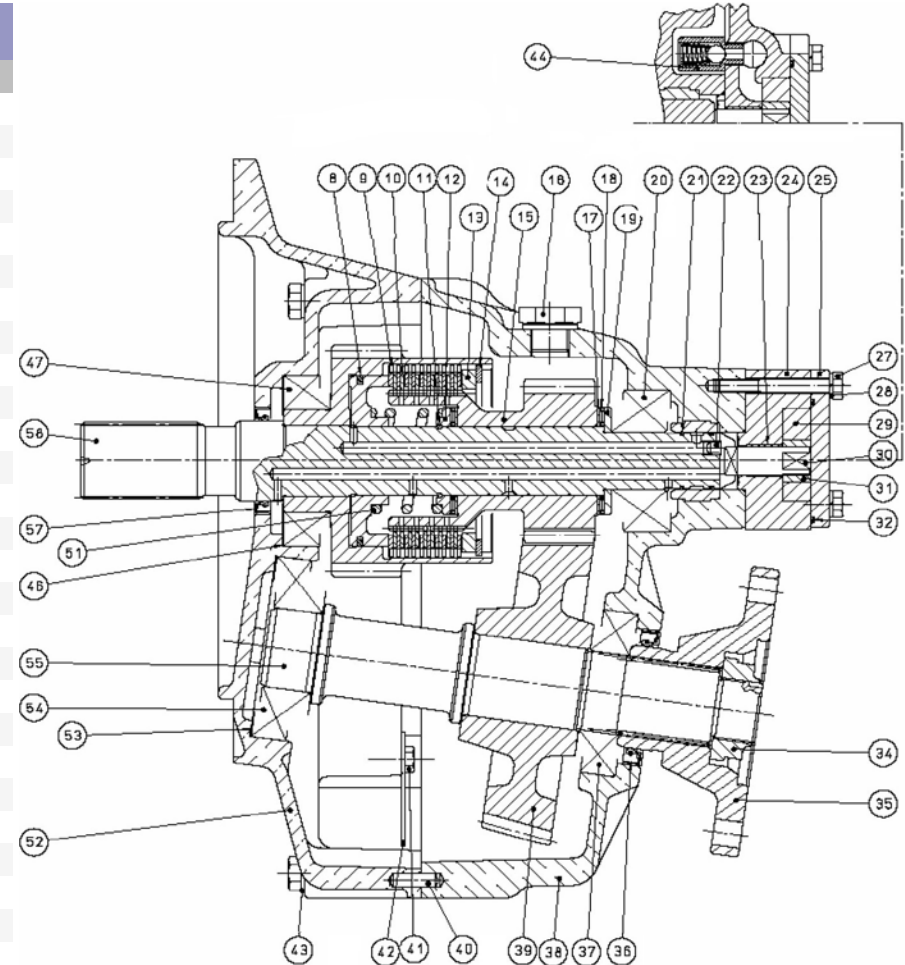
D_5024_2		Sheet 2/4			
FIG.	REF.	QTY	DESCR.	FROM	UPTO

33	24830113	1	Screw		
----	----------	---	-------	--	--





D_5024_3		Sheet 3/4			
FIG.	REF.	QTY	DESCR.	FROM	UPTO
8	24850323	2	Washer		
11	24850310	2	Ring		
12	24850307	2	Ring		
13	24850333	2	Spacer		
14	24850312	2	SEGER		
15A	24852203A	1	Gear R. 1,54 TM 345A		
15B	24853203A	1	Gear Red. 2 TM 345A		
15C	24854203A	1	Gear R. 2,47 TM 345A		
16	24850012	1	Plug		
17	24850318	4	Ring		
18	24850306	4	Bearing, needle		
19	24850325	2	Washer		
20	24850308	2	Conical Roller Bearing 32305		
21	24850328	4	Washer		
22	24810326	2	Plug		
23	24850016	1	Bushing		
24	24850020	1	PUMB Box		
25	24850015	1	Pump Cover		
27	24850029	3	Screw		
28	24810042	9	Washer GROWER DIN 127-6 [NP]		
29	24850095	1	Gear, Pump Out		
30	24850094	1	Pump Shaft		
31	24850096	1	Gear, Pump INNER		
32	24850097	1	O-Ring D. 50X1,7		
34	24850099	1	Nut		
35	24850224A	1	Flange, Output TM-345A		
36	24840103	1	Grommet		
37	24850212	1	Conical Roller Bearing 30207A		
38	24850001A	1	Front Body TM-345A		
39A	24852210A	1	Gear R. 1,54 TM 345A		
39B	24853210A	1	Gear R. 2 TM 345A		
39C	24854210A	1	Gear R. 2,47 TM 345A		
40	24850013	2	Pin		
42	24850080	1	Plate Pipe		
43	24850093	12	Washer		

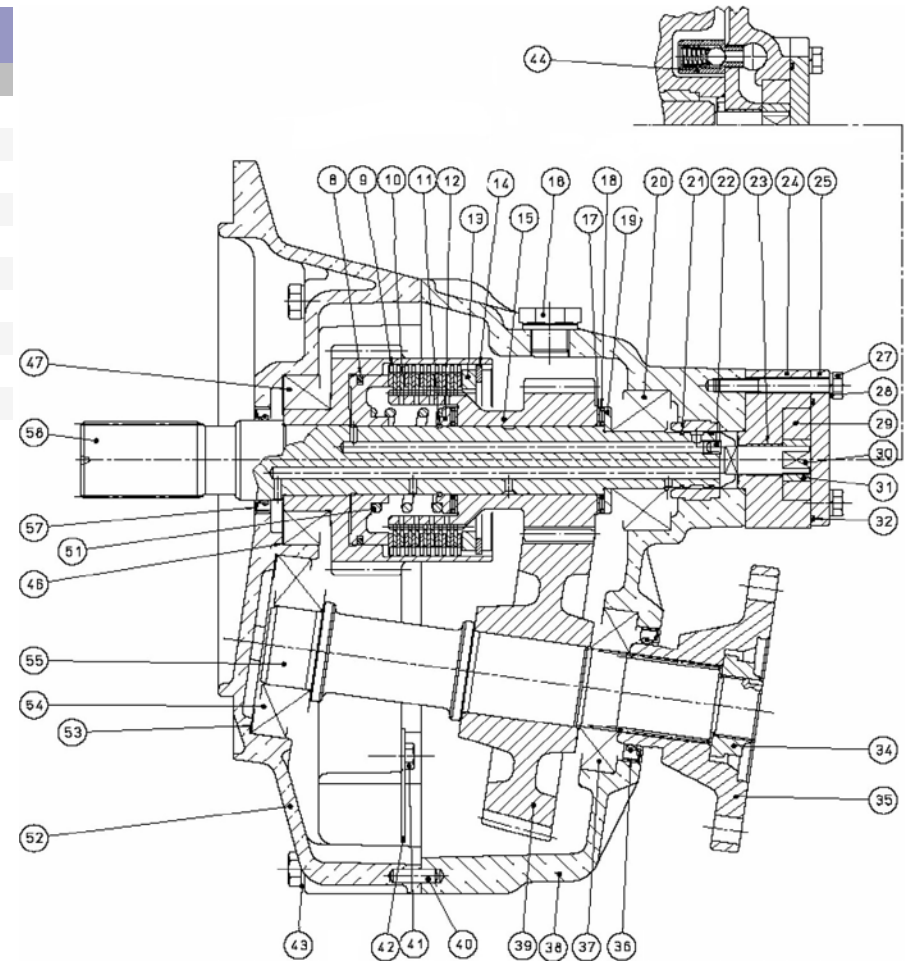


[NP] Not provided

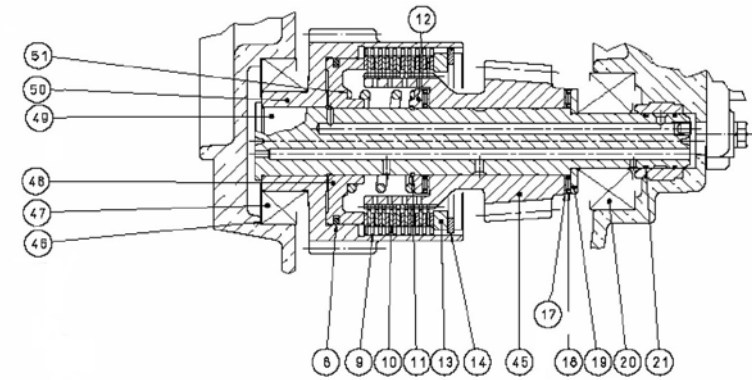




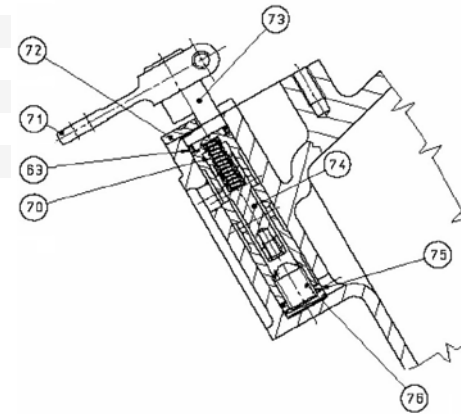
D_5024_3		Sheet 3/4				
FIG.	REF.	QTY	DESCR.	FROM	UPTO	
44	24850063	1	By pass Valve			
46	24850108	6	Shim Adjusting			
47	24850104	2	Conical Roller Bearing 32009-X			
51	24850122	2	Spring			
52	24850207A	1	Cover TM-345A			
53	24810333	3	Spacer			
54	24850206	1	Conical Roller Bearing 31307A			
55	24850201	1	Output Shaft			
57	24810103S	1	Grommet, Oil SILICON			
58	24850101	1	Input Shaft			



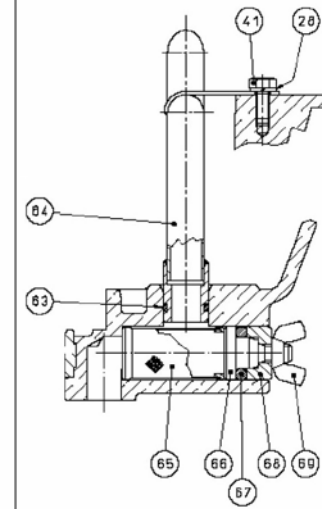
D_5024_4		Sheet 4/4			
FIG.	REF.	QTY	DESCR.	FROM	UPTO
45A	24852302	1	Gear R. 1,54 TM 345A		
45B	24853302	1	Gear R. 2 TM 345A		
45C	24854302	1	Gear R. 2,47 TM 345A		
48	24850124	2	Piston		
49	24850301	1	INTERMEDIATE Shaft		
50	24850330	1	Bell		
63	24810056	2	O-Ring D. 15,08X2,62 [NP]		
64	24850081	1	Aspiration Tube		
65	24810035	1	Oil Filter		
66	24850085	1	Pin		
67	24850059	1	O-Ring D. 50X5,3		
68	24850076	1	Spacer		
69	24850057	1	Nut		
70	24850030	1	Spring		
71	24810424	1	Lever		
72	24810041	1	Support		
73	24850062	1	Selector Valve		
74	24850052	1	Valve		
75	24850078	1	Spring		
76	24850079	1	Screw		



INTERMEDIATE SHAFT ASSEMBLY



SELECTOR VALVE ASSEMBLY

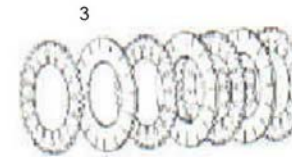
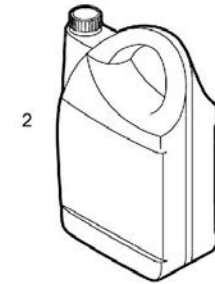
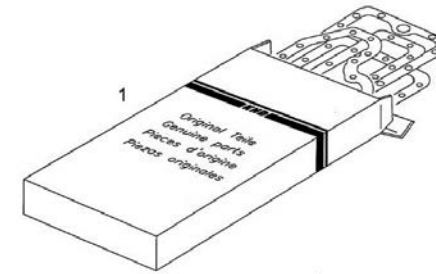


OIL FILTER ASSEMBLY

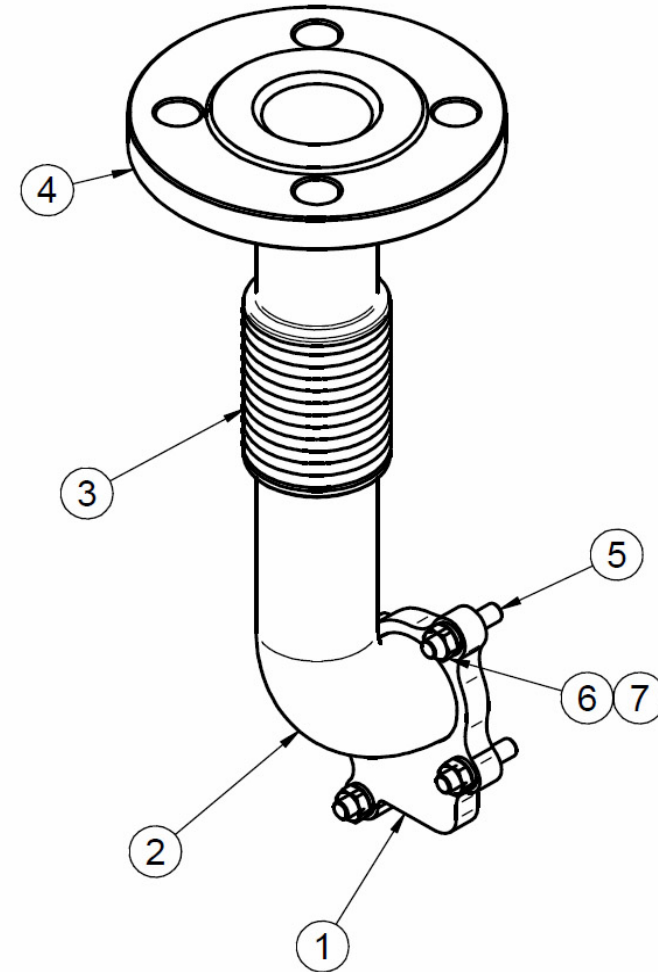
[NP] Not provided



D_5023_5 Maintenance Kit						
FIG.	REF.	QTY	DESCR.	FROM	UPTO	
1	24850401	1	Kit Gasket			
2	A0105000	1	15W40 Sole Diesel Oil 5L			
3	24850403	2	Clutch Plate Kit			

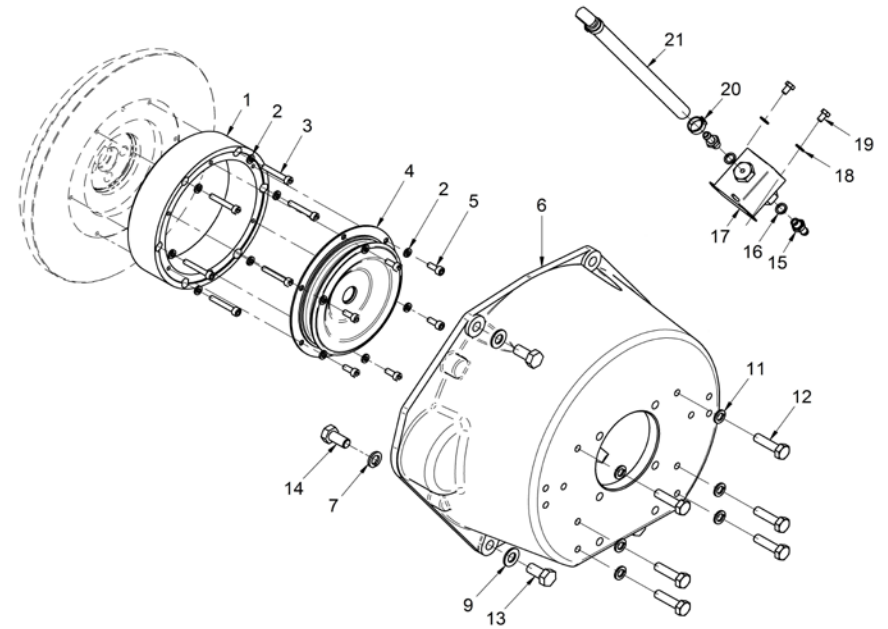


17713115		Kit Dry Exhaust With Flexible Pipe			
FIG.	REF.	QTY	DESCR.	FROM	UPTO
1	17713115.1	1	Dry Exhaust Flange		
2	51066040	1	KNEE 90 FIG. 6002/5 1 1/2"		
3	17113020	1	Expansion, Compensator		
4	51068040	1	Flange		
5	12110018	4	Stud		
6	52120008	4	Nut DIN 934 M8 8.8		
7	53033008	4	Washer GROWER DIN 127-8		





13410100		Kit S-Drive VOLVO 120SB/120SC/120SE			
FIG.	REF.	QTY	DESCR.	FROM	UPTO
1	13410041	1	Spacer		
2	53033006	12	Washer GROWER DIN 127-6		
3	52103161	6	Bolt DIN 912 M6-40 8.8		
4	13810042	1	Flexible Coupling Type F D. 175 VULKAN		
5	52103156	6	Bolt DIN 912 M6-16 8.8		
6	13410022	1	Adaptor Flange M-34		
7	53033012	2	Washer GROWER DIN 127-12		
9	53038012	3	Washer DIN 6798-A 12		
11	53033010	6	Washer GROWER DIN 127-10		
12	52101311	6	Bolt DIN 931 M10-40 8.8		
13	52202358	3	Bolt DIN 933 M12-1,25-25 8.8		
14	52102358	2	Bolt DIN 933 M12-25 8.8		
15	13814072	2	NIPPLE EYE		
16	57000361	2	Washer 10-14-1,5	01/06/2013	
17	13814070	1	Electric Fuel Feed Pump 12V		
18	51030006	2	Washer DIN 125-6		
19	52102154	2	Bolt DIN 933 M6-10 8.8		
20	51086015	1	One Ear Clamp With Interior Ring		
21	13814012	1	Pipe	25/09/2007	
NS	58088284	1	Pastic Cable Zip Tie [NS]	05/06/2014	
NS	60900126	1	TERMINAL [NS]		

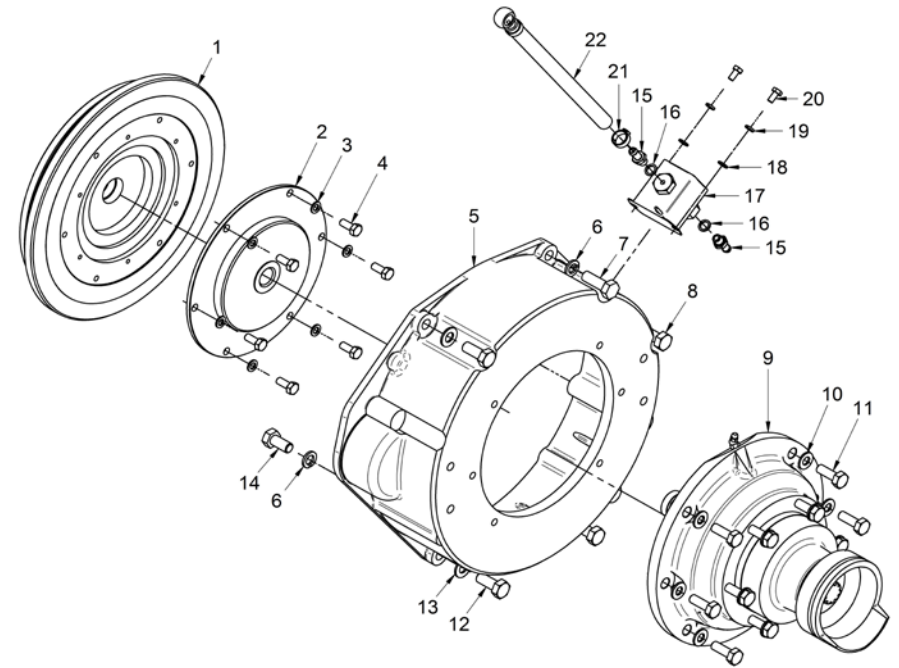


[NS] Not shown





17310100.1		Kit Z-Drive VOLVO 270/280/290 Z=10			
FIG.	REF.	QTY	DESCR.	FROM	UPTO
1	17322027.1	1	Flywheel		
2	17210071	1	Flexible Coupling Type B SAE 6"1/2		
3	53038008	6	Washer DIN 6798-A 8		
4	52102257	6	Bolt DIN 933 M8-20 8.8		
5	13410018	1	SAE 7, adaptor flange		
6	53033012	3	Washer GROWER DIN 127-12		
7	52202360	1	Bolt DIN 933 M12-1,25-35 8.8		
8	52202361	1	Bolt DIN 933 M12-1,25-40 8.8		
9	17210100.1R	1	Kit Z-Drive Volvo 270/280/290 Z=10		
10	53038010	6	Washer DIN 6798-A 10		
11	52102309	6	Bolt DIN 933 M10-30 8.8		
12	52202359	3	Bolt DIN 933 M12-1,25-30 8.8		
13	53038012	4	Washer DIN 6798-A 12		
14	52102358	2	Bolt DIN 933 M12-25 8.8		
15	13814072	2	NIPPLE EYE		
16	57000361	2	Washer 10-14-1,5		
17	13814070	1	Electric Fuel Feed Pump 12V		
18	51030006	2	Washer DIN 125-6		
19	53033006	2	Washer GROWER DIN 127-6		
22	60900126	1	TERMINAL		
NS	13814012	1	Pipe [NS]		
NS	52102155	2	Bolt DIN 933 M6-12 8.8 [NS]		
NS	58088283	2	Pastic Cable Zip Tie [NS]		

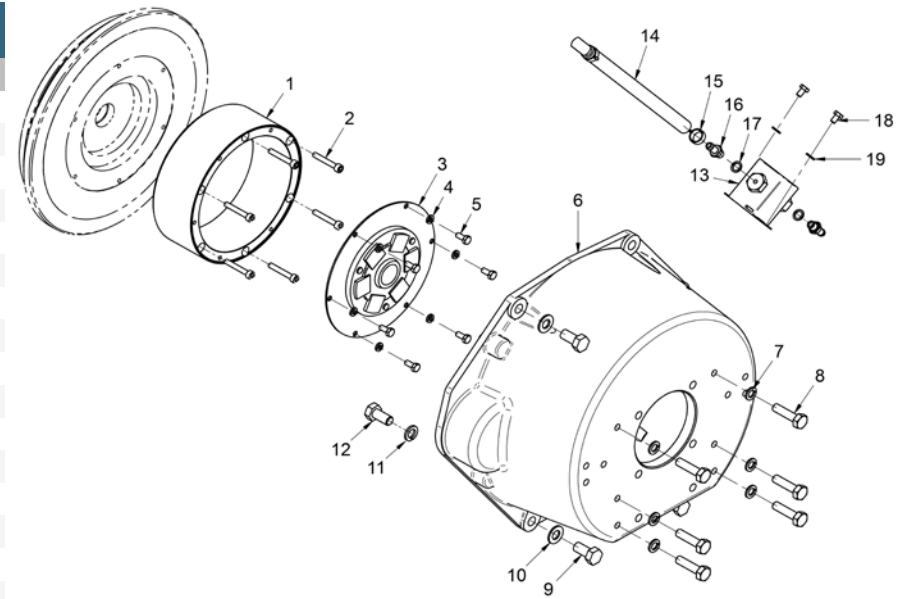


[NS] Not shown





17310106		Kit S-Drive VOLVO 130S				
FIG.	REF.	QTY	DESCR.	FROM	UPTO	
1	17210018	1	Suplement,Flywheel			
2	52103161	6	Bolt DIN 912 M6-40 8.8			
3	17310070	1	Flexible Coupling Type A D. 185			
4	53033006	6	Washer GROWER DIN 127-6			
5	52102156	6	Bolt DIN 933 M6-16 8.8			
6	13410022	1	Adaptor Flange M-34			
7	53033010	6	Washer GROWER DIN 127-10			
8	52101311	6	Bolt DIN 931 M10-40 8.8			
9	52202358	3	Bolt DIN 933 M12-1,25-25 8.8			
10	53038012	3	Washer DIN 6798-A 12			
11	53033012	2	Washer GROWER DIN 127-12			
12	52102358	2	Bolt DIN 933 M12-25 8.8			
13	13814070	1	Electric Fuel Feed Pump 12V			
14	13814012	1	Pipe			
15	51086015	1	One Ear Clamp With Interior Ring			
16	13814072	2	NIPPLE EYE			
17	57000361	2	Washer 10-14-1,5	01/06/2013		
18	52102154	2	Bolt DIN 933 M6-10 8.8			
19	51030006	2	Washer DIN 125-6			
NS	58088284	1	Pastic Cable Zip Tie [NS]			
NS	60900126	1	TERMINAL [NS]			

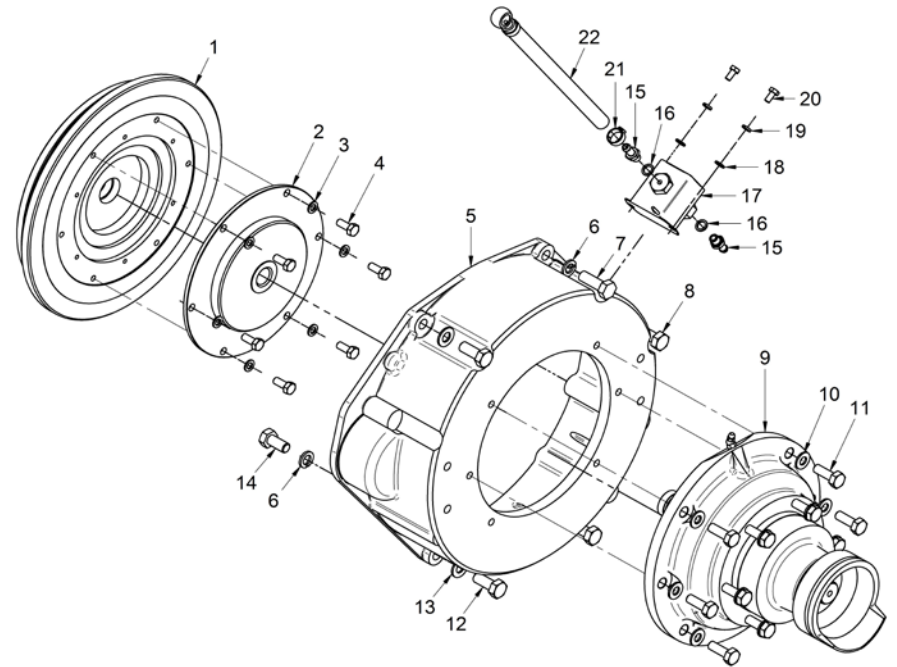


[NS] Not shown



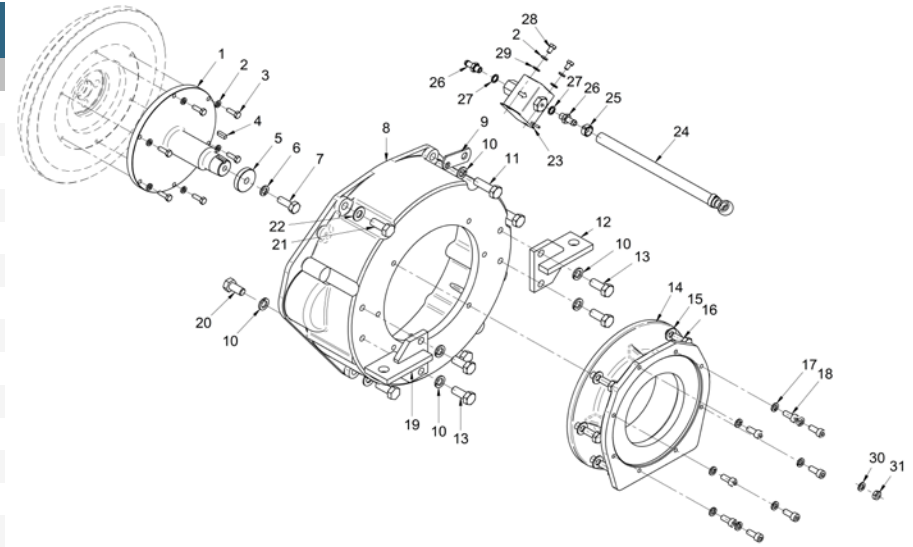


17310110.1		Kit Z-Drive VOLVO 280/290 Z=26			
FIG.	REF.	QTY	DESCR.	FROM	UPTO
1	17322027.1	1	Flywheel		
2	17210071	1	Flexible Coupling Type B SAE 6"1/2		
3	53038008	6	Washer DIN 6798-A 8		
4	52102257	6	Bolt DIN 933 M8-20 8.8		
5	13410018	1	SAE 7, adaptor flange		
6	53033012	3	Washer GROWER DIN 127-12		
7	52202360	1	Bolt DIN 933 M12-1,25-35 8.8		
8	52202361	1	Bolt DIN 933 M12-1,25-40 8.8		
9	17210110.1R	1	Kit Z-Drive Volvo 280/290 Z=26		
10	53038010	6	Washer DIN 6798-A 10		
11	52102309	6	Bolt DIN 933 M10-30 8.8		
12	52202359	3	Bolt DIN 933 M12-1,25-30 8.8		
13	53038012	4	Washer DIN 6798-A 12		
14	52102358	2	Bolt DIN 933 M12-25 8.8		
15	13814072	2	NIPPLE EYE		
16	57000361	2	Washer 10-14-1,5		
17	13814070	1	Electric Fuel Feed Pump 12V		
18	51030006	2	Washer DIN 125-6		
19	53033006	2	Washer GROWER DIN 127-6		
20	52102155	2	Bolt DIN 933 M6-12 8.8		
21	13814012	1	Pipe		
22	60900126	1	TERMINAL		
23	58088283	2	Pastic Cable Zip Tie		





17310125		Kit S-Drive BUKH DV36			
FIG.	REF.	QTY	DESCR.	FROM	UPTO
1	17310025	1	Shaft		
2	53033006	10	Washer GROWER DIN 127-6		
3	52102157	6	Bolt DIN 933 M6-20 8.8		
4	17310027	1	KEY		
5	13910027	1	Washer		
6	53033010	1	Washer GROWER DIN 127-10		
7	52102309	1	Bolt DIN 933 M10-30 8.8		
8	13410018	1	SAE 7,adaptor flange		
9	15217010	1	Bracket,wirings		
10	53033012	6	Washer GROWER DIN 127-12		
11	52202361	3	Bolt DIN 933 M12-1,25-40 8.8		
12	17010003	1	Bracket		
13	52102359	4	Bolt DIN 933 M12-30 8.8		
14	17310026	1	BUKH S-Drive DV-36, DV-38 Adaptor Flange		
15	53038010	13	Washer DIN 6798-A 10		
16	52102308	6	Bolt DIN 933 M10-25 8.8		
17	53033008	8	Washer GROWER DIN 127-8		
18	52103257	8	Bolt DIN 912 M8-20 8.8		
19	17010004	1	Bracket		
20	52102358	2	Bolt DIN 933 M12-25 8.8		
21	52202359	3	Bolt DIN 933 M12-1,25-30 8.8		
22	53038012	5	Washer DIN 6798-A 12		
23	13814070	1	Electric Fuel Feed Pump 12V		
24	13814012	1	Pipe	25/09/2007	
25	51086015	1	One Ear Clamp With Interior Ring		
26	13814072	2	NIPPLE EYE		
27	57000361	2	Washer 10-14-1,5	01/06/2013	
28	52102154	2	Bolt DIN 933 M6-10 8.8		
29	51030006	2	Washer DIN 125-6		
30	53038008	1	Washer DIN 6798-A 8		
31	52120008	1	Nut DIN 934 M8 8.8		
NS	58088283	2	Pastic Cable Zip Tie [NS]	27/02/2014	
NS	60900126	1	TERMINAL [NS]		

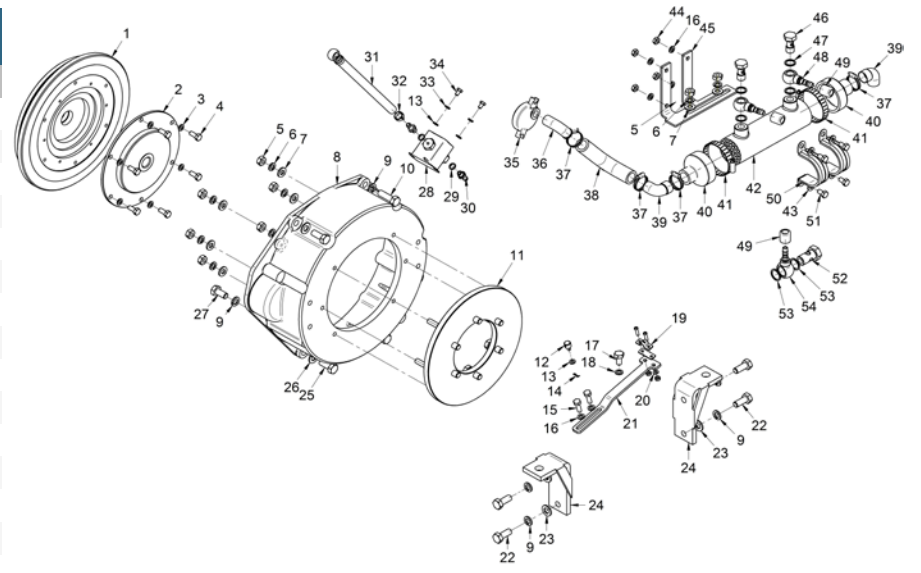


[NS] Not shown





17310210		Kit GearBox TM-93			
FIG.	REF.	QTY	DESCR.	FROM	UPTO
1	17322027.1	1	Flywheel		
2	17210071	1	Flexible Coupling Type B SAE 6"1/2		
3	53038008	6	Washer DIN 6798-A 8		
4	52102257	10	Bolt DIN 933 M8-20 8.8		
5	52120010	8	Nut DIN 934 M10 8.8		
6	53033010	8	Washer GROWER DIN 127-10		
7	51030010	6	Washer DIN 125-10		
8	13410018	1	SAE 7, adaptor flange		
9	53033012	8	Washer GROWER DIN 127-12		
10	52202361	3	Bolt DIN 933 M12-1,25-40 8.8		
11	24870021	1	BW Housing TM-93/170/485/545		
12	ALLPA.93	1	Coupling,cable	23/05/2017	
12	14719115	1	Coupling,cable		23/05/2017
13	51030006	5	Washer DIN 125-6		
14	51051107	1	Pin DIN-94 1,6-16		
16	53033008	6	Washer GROWER DIN 127-8		
17	52202307	1	Bolt DIN 933 M10-1,25-20 8.8		
18	56000061	1	Washer 10-16-1,5		
19	24810913	1	Clamp,CABLE		
20	51030005	2	Washer DIN 125-5		
21	18619020	1	Bracket,Gear box control		
22	52102359	6	Bolt DIN 933 M12-30 8.8		
23	51030012	1	Washer DIN 125-12		
24	17310001	2	Bracket REAR		
25	52202359	4	Bolt DIN 933 M12-1,25-30 8.8		
26	53038012	5	Washer DIN 6798-A 12		
28	13814070	1	Electric Fuel Feed Pump 12V		
29	57000361	2	Washer 10-14-1,5	01/06/2013	
30	13814072	2	NIPPLE EYE		
31	13814012	1	Pipe	25/09/2007	
32	54081008	1	Clamp DIN 3017 8-16 W4		
33	53033006	2	Washer GROWER DIN 127-6		
34	52102154	2	Bolt DIN 933 M6-10 8.8		
35	13811002	1	Cover, water cooler		
36	13211035	1	Exhaust Manifold Outlet Bend		

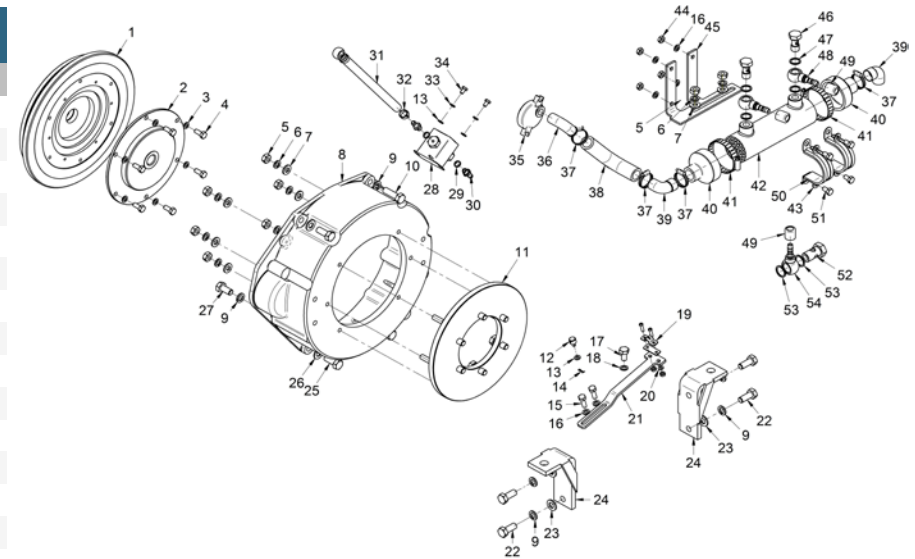


[NS] Not shown



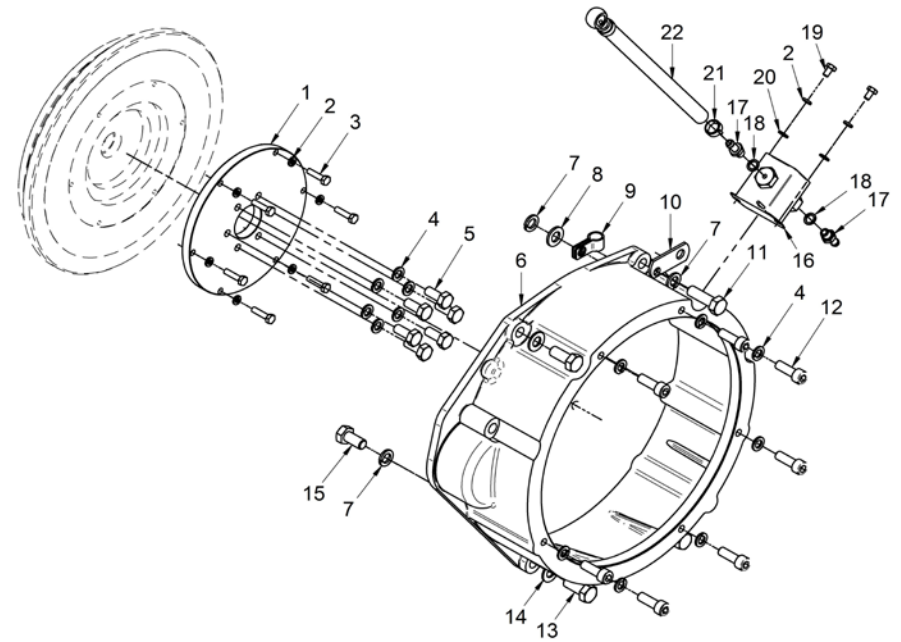


17310210		Kit GearBox TM-93			
FIG.	REF.	QTY	DESCR.	FROM	UPTO
37	54081020	8	Clamp DIN 3017 20-32/9 W4		
38	17611017	3	Rubber Elbow		
39	56063022.1	2	Elbow	25/04/2003	
40	15212007	2	Cover, water cooler D.22		
41	54082050	2	Clamp DIN 3017 50-70/12 W4		
42	14712051	1	Cooler,oil		
43	51030008	6	Washer DIN 125-8		
44	52120008	4	Nut DIN 934 M8 8.8		
45	13912041	1	Bracket,TM Oil Cooler		
46	14712015	2	Bolt,Coupling pipe oil		
47	57000375	4	Washer 17-22-1,5		
50	59072604	2	Clamp	29/03/2014	
51	52102256	2	Bolt DIN 933 M8-15 8.8		
NS	17011028	1	Pipe [NS]		
NS	17013015	1	Elbow,wet exhaust [NS]		
NS	17112024	2	Pipe, rev.oil Cooler [NS]		
NS	17211028	1	Water Bend [NS]		
NS	58088283	2	Pastic Cable Zip Tie [NS]	27/02/2014	
NS	60900126	1	TERMINAL [NS]		





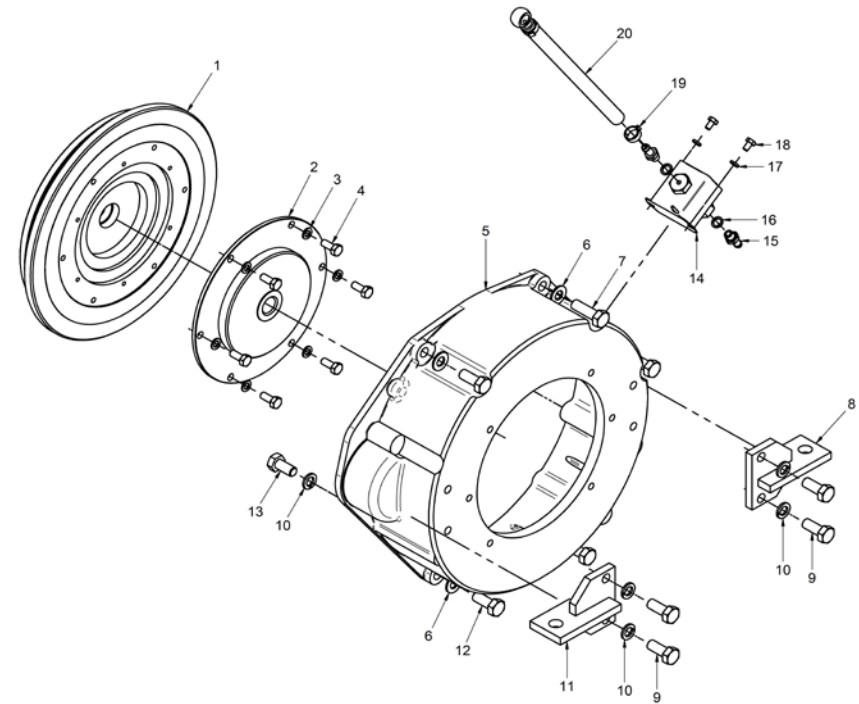
17310216		Kit JET CASTOLDI Num.5 SAE 5			
FIG.	REF.	QTY	DESCR.	FROM	UPTO
1	17310009	1	Suplement,Flywheel		
2	53033006	8	Washer GROWER DIN 127-6		
3	52102158	6	Bolt DIN 933 M6-25 8.8		
4	53033010	14	Washer GROWER DIN 127-10		
5	52102308	6	Bolt DIN 933 M10-25 8.8		
6	13410019	1	SAE 5,adaptor flange		
7	53033012	2	Washer GROWER DIN 127-12		
8	51030012	1	Washer DIN 125-12		
9	17214022	1	Bracket, Pipe		
10	15217010	1	Bracket,wirings		
11	52202361	3	Bolt DIN 933 M12-1,25-40 8.8		
12	52103309	8	Bolt DIN 912 M10-30 8.8		
13	52202359	3	Bolt DIN 933 M12-1,25-30 8.8		
14	53038012	5	Washer DIN 6798-A 12		
15	52102358	2	Bolt DIN 933 M12-25 8.8		
16	13814070	1	Electric Fuel Feed Pump 12V		
17	13814072	2	NIPPLE EYE		
18	57000361	2	Washer 10-14-1,5	01/06/2013	
19	52102154	2	Bolt DIN 933 M6-10 8.8		
20	51030006	2	Washer DIN 125-6		
22	13814012	1	Pipe	25/09/2007	
NS	58088283	2	Pastic Cable Zip Tie [NS]	27/02/2014	
NS	60900126	1	TERMINAL [NS]		



[NS] Not shown



17310220		Kit GearBox BW (Without Oil Cooler)			
FIG.	REF.	QTY	DESCR.	FROM	UPTO
1	17322027.1	1	Flywheel		
2	17210071	1	Flexible Coupling Type B SAE 6"1/2		
3	53038008	6	Washer DIN 6798-A 8		
4	52102257	6	Bolt DIN 933 M8-20 8.8		
5	13410018	1	SAE 7, adaptor flange		
6	53038012	5	Washer DIN 6798-A 12		
8	17010004	1	Bracket		
9	52102359	4	Bolt DIN 933 M12-30 8.8		
10	53033012	8	Washer GROWER DIN 127-12		
11	17010003	1	Bracket		
12	52202359	3	Bolt DIN 933 M12-1,25-30 8.8		
13	52102358	2	Bolt DIN 933 M12-25 8.8		
14	13814070	1	Electric Fuel Feed Pump 12V		
15	13814072	2	NIPPLE EYE		
16	57000361	2	Washer 10-14-1,5	01/06/2013	
17	53033006	2	Washer GROWER DIN 127-6		
18	52102154	2	Bolt DIN 933 M6-10 8.8		
19	51086015	1	One Ear Clamp With Interior Ring		
20	13814012	1	Pipe	25/09/2007	
NS	58088283	2	Pastic Cable Zip Tie [NS]	27/02/2014	
NS	60900126	1	TERMINAL [NS]		

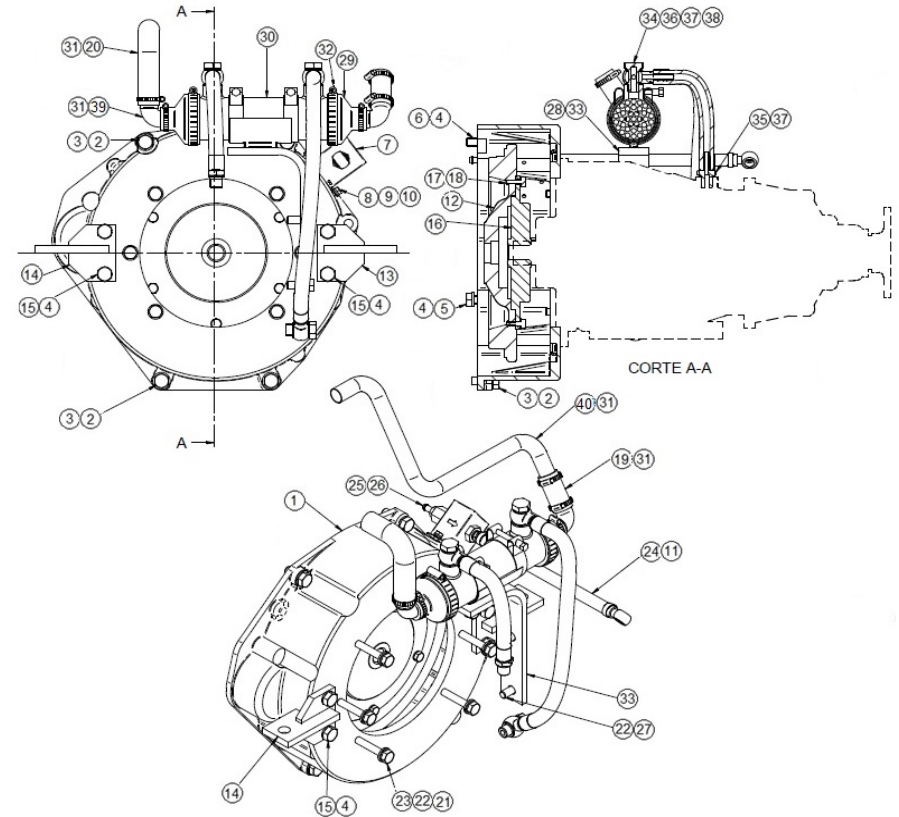


[NS] Not shown



17310221 Kit GearBox BORG WARNER With Oil Cooler

FIG.	REF.	QTY	DESCR.	FROM	UPTO
1	13410018	1	SAE 7,adaptor flange		
2	53038012	5	Washer DIN 6798-A 12		
3	52202359	3	Bolt DIN 933 M12-1,25-30 8.8		
4	53033012	10	Washer GROWER DIN 127-12		
5	52102358	2	Bolt DIN 933 M12-25 8.8		
6	52202361	3	Bolt DIN 933 M12-1,25-40 8.8		
7	13814070	1	Electric Fuel Feed Pump 12V		
8	51030006	2	Washer DIN 125-6		
9	53033006	2	Washer GROWER DIN 127-6		
10	52102154	2	Bolt DIN 933 M6-10 8.8		
11	51086015	1	One Ear Clamp With Interior Ring		
12	17322027.1	1	Flywheel		
13	17010003	1	Bracket		
14	17010004	1	Bracket		
15	52102359	4	Bolt DIN 933 M12-30 8.8		
16	17210071	1	Flexible Coupling Type B SAE 6"1/2		
17	53038008	6	Washer DIN 6798-A 8		
18	52102257	6	Bolt DIN 933 M8-20 8.8		
19	16111015	1	Pipe 20-28-55		
20	17611017	2	Rubber Elbow		
21	51030010	6	Washer DIN 125-10		
22	53033010	6	Washer GROWER DIN 127-10		
23	52101318	6	Bolt DIN 931 M10-75 8.8		
24	13814012	1	Pipe	25/09/2007	
25	57000361	2	Washer 10-14-1,5	01/06/2013	
26	13814072	2	NIPPLE EYE		
27	52302309	2	Bolt DIN 933 W7/16-30 8.8		
28	51083060	2	Clamp "P" 59-63		
29	15212007	2	Cover, water cooler D.22		
30	14712051	1	Cooler,oil		
31	54081020	8	Clamp DIN 3017 20-32/9 W4		
32	54082050	2	Clamp DIN 3017 50-70/12 W4		
33	17112019	1	Bracket,Cooler Oil		
34	57000375	6	Washer 17-22-1,5		
35	14712032	1	Coupling,ball pipe oil		

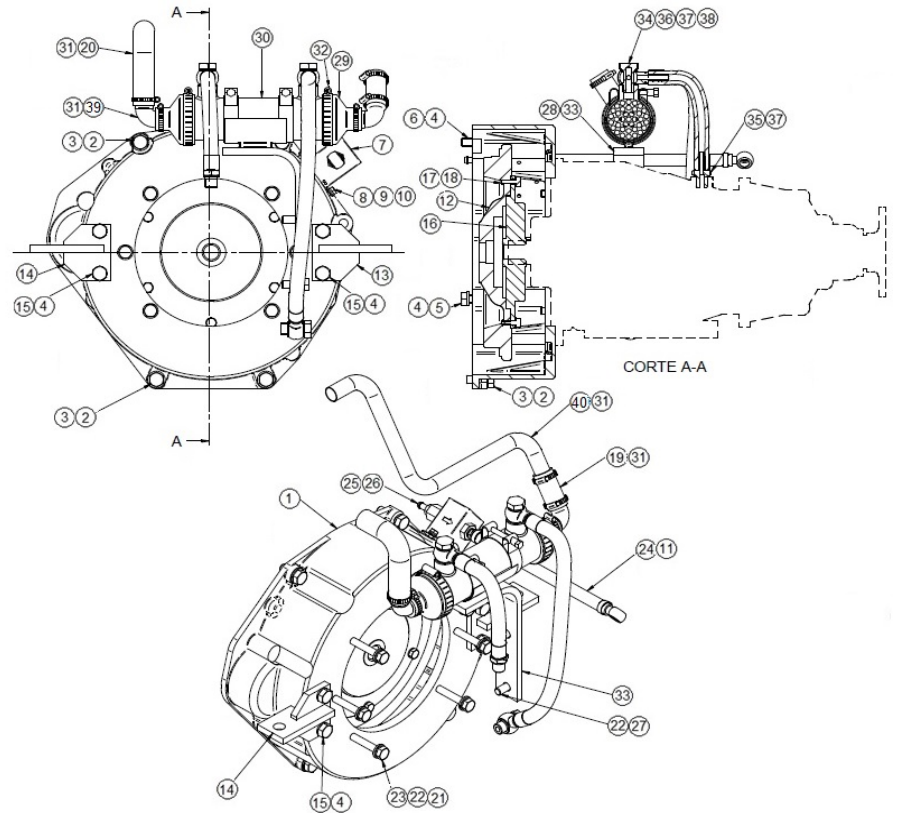


[NS] Not shown

[VAR] Variable according to repair

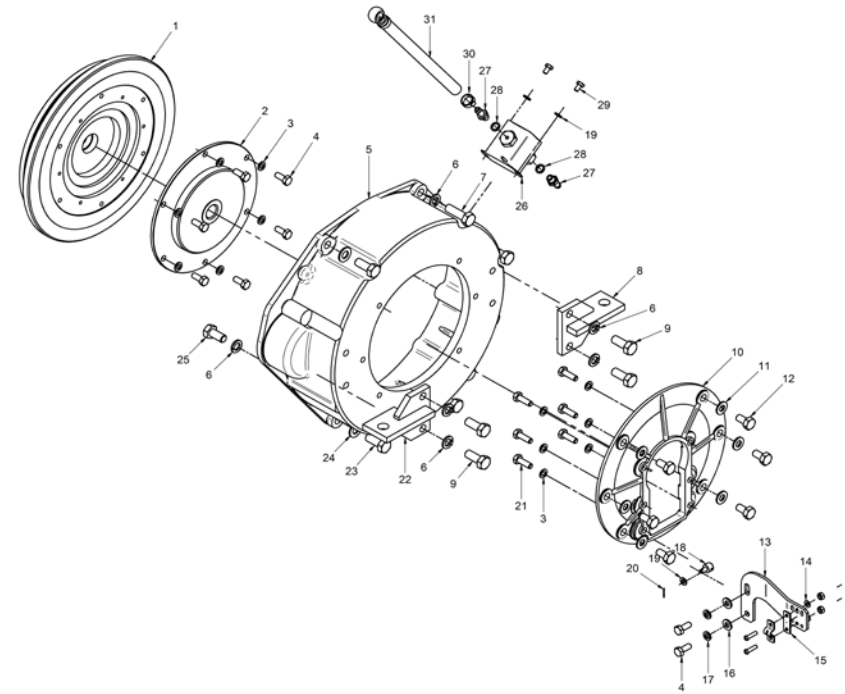


17310221 Kit GearBox BORG WARNER With Oil Cooler						
FIG.	REF.	QTY	DESCR.	FROM	UPTO	
36	14712035	3	Collar, Union			
37	14712031	4	Retainer			
38	14712015	3	Bolt, Coupling pipe oil			
39	56063022.1	2	Elbow			
40	17011029	1	Pipe			
NS	14912043	1	Coupling, screw pipe Gear box [NS]			
NS	58088283	2	Pastic Cable Zip Tie [NS]	27/02/2014		
NS	60900126	1	TERMINAL [NS]			
NS	M84501019	0	LOW Pressure Hose D. 10-19 [NS] [VAR]	23/10/2008		





17310244		Kit GearBox TMC-260			
FIG.	REF.	QTY	DESCR.	FROM	UPTO
1	17322027.1	1	Flywheel		
2	17210071	1	Flexible Coupling Type B SAE 6"1/2		
3	53038008	12	Washer DIN 6798-A 8		
4	52102257	8	Bolt DIN 933 M8-20 8.8		
5	13410018	1	SAE 7, adaptor flange		
6	53033012	6	Washer GROWER DIN 127-12		
8	17010003	1	Bracket		
9	52102359	4	Bolt DIN 933 M12-30 8.8		
10	22510012	1	Adaptor Flange "BW"		
11	53038010	6	Washer DIN 6798-A 10		
12	52102307	6	Bolt DIN 933 M10-20 8.8		
13	24880901	1	Bracket, GearBox Control		
14	51030005	2	Washer DIN 125-5		
15	24810913	1	Clamp,CABLE		
16	51030008	2	Washer DIN 125-8	19/11/2013	
17	53033008	2	Washer GROWER DIN 127-8	19/11/2013	
18	ALLPA.93	1	Coupling,cable	23/05/2017	
18	14719115	1	Coupling,cable		23/05/2017
19	51030006	6	Washer DIN 125-6		
20	51051107	1	Pin DIN-94 1,6-16		
21	52102258	6	Bolt DIN 933 M8-25 8.8		
22	17010004	1	Bracket		
23	52202359	3	Bolt DIN 933 M12-1,25-30 8.8		
24	53038012	3	Washer DIN 6798-A 12		
25	52102358	2	Bolt DIN 933 M12-25 8.8		
26	13814070	1	Electric Fuel Feed Pump 12V		
27	13814072	2	NIPPLE EYE		
28	57000361	2	Washer 10-14-1,5	01/06/2013	
29	52102154	2	Bolt DIN 933 M6-10 8.8		
30	51086015	1	One Ear Clamp With Interior Ring		
31	13814012	1	Pipe	25/09/2007	
NS	24890026	2	Cover [NS]	28/07/2017	
NS	58088283	2	Pastic Cable Zip Tie [NS]	27/02/2014	
NS	60900126	1	TERMINAL [NS]		

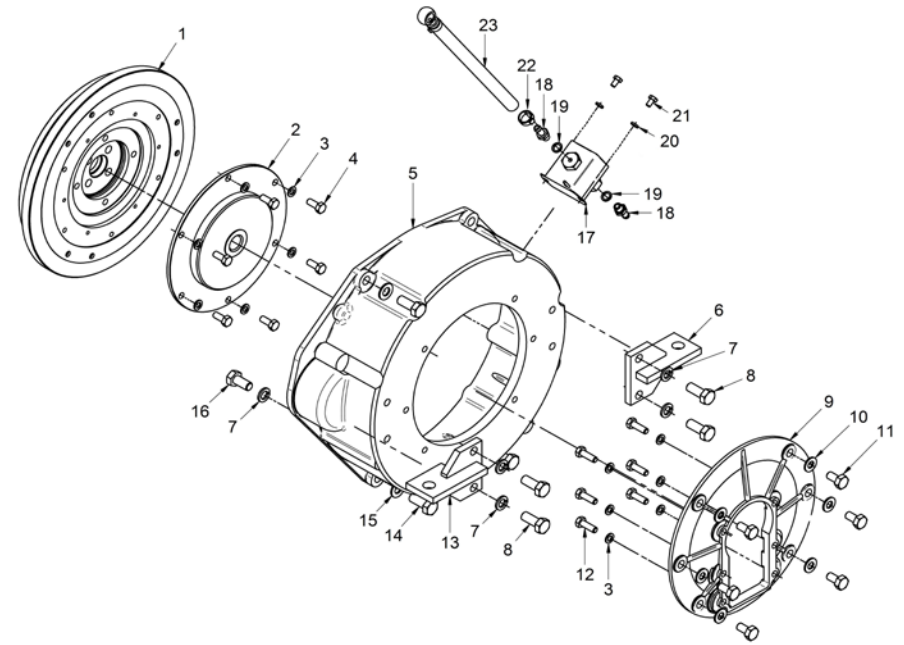


[NS] Not shown





17332101		Kit GearBox TMC-260			
FIG.	REF.	QTY	DESCR.	FROM	UPTO
1	17322027.4.1	1	Flywheel		
2	17210071	1	Flexible Coupling Type B SAE 6"1/2		
3	53038008	12	Washer DIN 6798-A 8		
4	52102257	8	Bolt DIN 933 M8-20 8.8		
5	13410018	1	SAE 7,adaptor flange		
6	17010003	1	Bracket		
7	53033012	6	Washer GROWER DIN 127-12		
8	52102359	4	Bolt DIN 933 M12-30 8.8		
9	22510012	1	Adaptor Flange "BW"		
10	53038010	6	Washer DIN 6798-A 10		
11	52102307	6	Bolt DIN 933 M10-20 8.8		
12	52102358	2	Bolt DIN 933 M12-25 8.8		
13	17010004	1	Bracket		
14	52202359	3	Bolt DIN 933 M12-1,25-30 8.8		
15	53038012	3	Washer DIN 6798-A 12		
16	52102258	6	Bolt DIN 933 M8-25 8.8		
17	13814070	1	Electric Fuel Feed Pump 12V		
18	13814072	2	NIPPLE EYE		
19	57000361	2	Washer 10-14-1,5	01/06/2013	
20	51030006	2	Washer DIN 125-6		
21	52102154	2	Bolt DIN 933 M6-10 8.8		
22	51086015	1	One Ear Clamp With Interior Ring		
23	13814012	1	Pipe	25/09/2007	
NS	58088283	2	Pastic Cable Zip Tie [NS]	27/02/2014	
NS	60900126	1	TERMINAL [NS]		

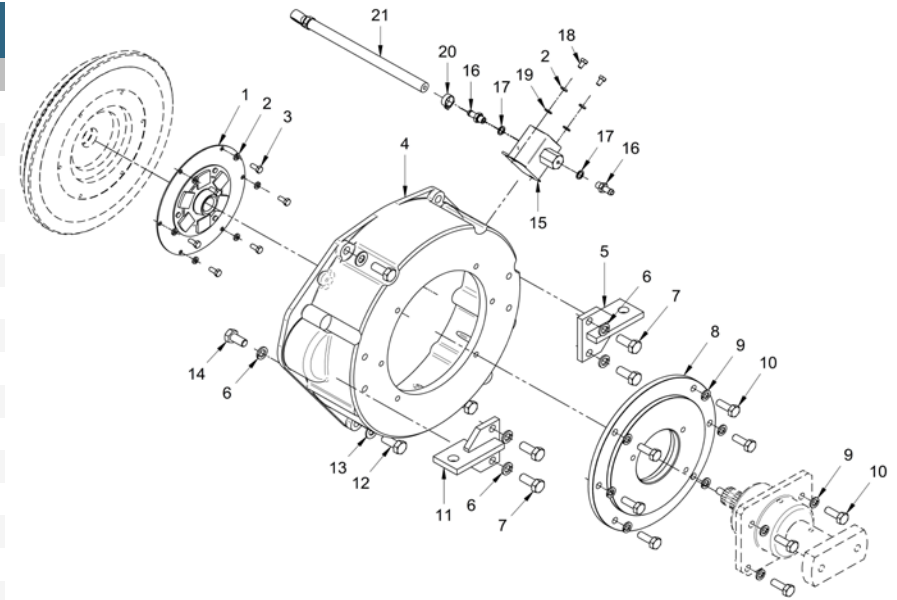


[NS] Not shown



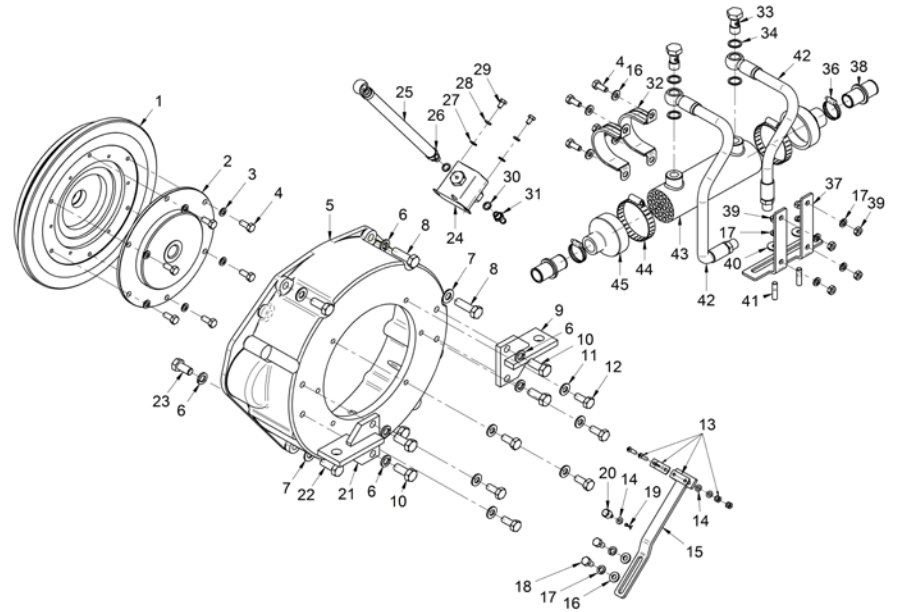


17710210		Kit Prep. For SDrive SONIC			
FIG.	REF.	QTY	DESCR.	FROM	UPTO
1	14710070	1	Flexible Coupling Type A D. 185		
2	53033006	8	Washer GROWER DIN 127-6		
3	52102156	6	Bolt DIN 933 M6-16 8.8		
4	13410018	1	SAE 7,adaptor flange		
5	17010003	1	Bracket		
6	53033012	6	Washer GROWER DIN 127-12		
7	52102359	4	Bolt DIN 933 M12-30 8.8		
8	17710014	1	Adaptor Flange		
9	53033010	10	Washer GROWER DIN 127-10		
10	52102309	10	Bolt DIN 933 M10-30 8.8		
11	17010004	1	Bracket		
12	52202359	3	Bolt DIN 933 M12-1,25-30 8.8		
13	53038012	3	Washer DIN 6798-A 12		
14	52102358	2	Bolt DIN 933 M12-25 8.8		
15	13814070	1	Electric Fuel Feed Pump 12V		
16	13814072	2	NIPPLE EYE		
17	57000361	2	Washer 10-14-1,5	01/06/2013	
18	52102154	2	Bolt DIN 933 M6-10 8.8		
19	51030006	2	Washer DIN 125-6		
20	54081008	1	Clamp DIN 3017 8-16 W4		
21	13814010	1	Pipe, Fuel		





17710211 Kit GearBox TM-345/A					
FIG.	REF.	QTY	DESCR.	FROM	UPTO
1	17322027.1	1	Flywheel		
2	17210071	1	Flexible Coupling Type B SAE 6"1/2		
3	53038008	6	Washer DIN 6798-A 8		
4	52102257	10	Bolt DIN 933 M8-20 8.8		
5	13410018	1	SAE 7, adaptor flange		
6	53033012	6	Washer GROWER DIN 127-12		
7	53038012	4	Washer DIN 6798-A 12		
8	52202361	3	Bolt DIN 933 M12-1,25-40 8.8		10/03/2020
9	17010003	1	Bracket		
10	52102359	4	Bolt DIN 933 M12-30 8.8		
11	53038010	5	Washer DIN 6798-A 10		
12	52102307	5	Bolt DIN 933 M10-20 8.8		
13	24810913	1	Clamp,CABLE		
14	51030005	2	Washer DIN 125-5		
15	18619020	1	Bracket,Gear box control	02/10/2004	
16	51030008	6	Washer DIN 125-8		
17	53033008	8	Washer GROWER DIN 127-8		
18	52102256	2	Bolt DIN 933 M8-15 8.8		
19	51051107	1	Pin DIN-94 1,6-16		
20	ALLPA.93	1	Coupling,cable	23/05/2017	
20	14719115	1	Coupling,cable		23/05/2017
21	17010004	1	Bracket		
22	52202359	3	Bolt DIN 933 M12-1,25-30 8.8		
23	52102358	2	Bolt DIN 933 M12-25 8.8		
24	13814070	1	Electric Fuel Feed Pump 12V		
25	13814012	1	Pipe	25/09/2007	
26	51086015	1	One Ear Clamp With Interior Ring		
27	51030006	6	Washer DIN 125-6		
28	53033006	2	Washer GROWER DIN 127-6		
29	52102154	2	Bolt DIN 933 M6-10 8.8		
30	57000361	2	Washer 10-14-1,5	01/06/2013	
31	13814072	2	NIPPLE EYE		
32	59072604	2	Clamp	29/03/2014	
33	14712015	2	Bolt,Coupling pipe oil		
34	57000375	4	Washer 17-22-1,5		

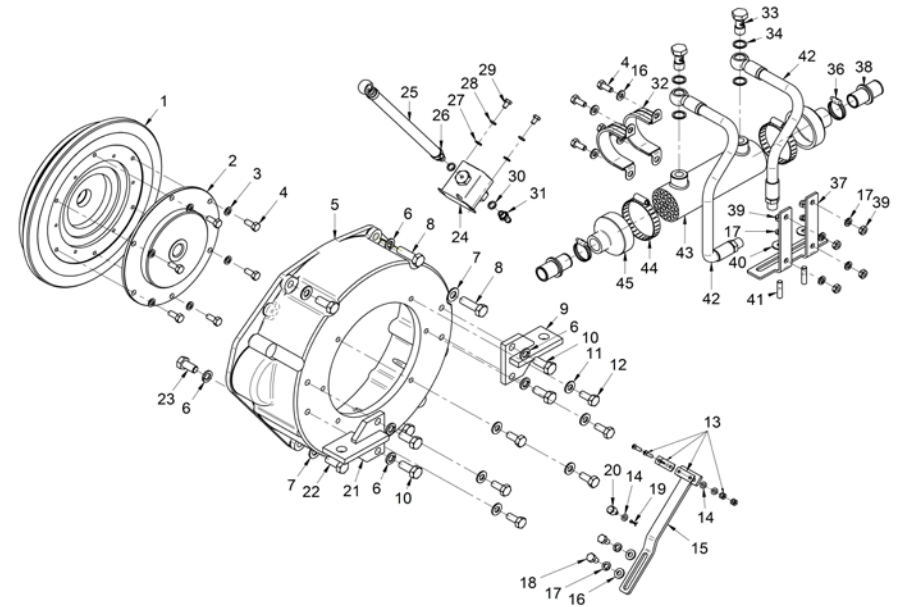


[NS] Not shown



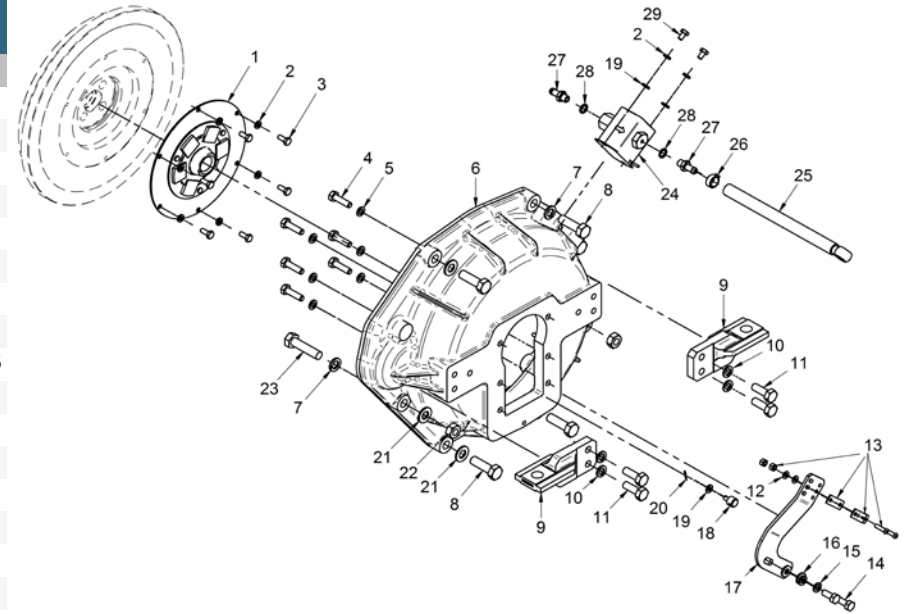


17710211		Kit GearBox TM-345/A			
FIG.	REF.	QTY	DESCR.	FROM	UPTO
36	54081020	4	Clamp DIN 3017 20-32/9 W4		
37	18012041	1	Bracket,TM93/170 oil cooler		
38	17711004	2	Outlet Coupling		
39	52120008	6	Nut DIN 934 M8 8.8		
40	51031008	2	Washer DIN 9021 8		
41	12120018	2	Stud		
42	17012024	2	Pipe		
43	14712051	1	Cooler,oil		
44	54082050	2	Clamp DIN 3017 50-70/12 W4		
45	15212007	2	Cover, water cooler D.22		
NS	M87502535	1	Water Intake Hose (HQ) D. 25-33 [NS]		
NS	58088281	3	Pastic Cable Zip Tie [NS]		
NS	60900126	1	TERMINAL [NS]		





17710217		Kit GearBox PRM-150 (Without Oil Cooler)			
FIG.	REF.	QTY	DESCR.	FROM	UPTO
1	14710070	1	Flexible Coupling Type A D. 185		
2	53033006	6	Washer GROWER DIN 127-6		
3	52102156	6	Bolt DIN 933 M6-16 8.8		
4	52101259	6	Bolt DIN 931 M8-30 8.8		
5	53038008	6	Washer DIN 6798-A 8		
6	17210009	1	Bell Housing, GearBox		
7	53033012	3	Washer GROWER DIN 127-12		
8	52202361	4	Bolt DIN 933 M12-1,25-40 8.8		
9	17210011	2	Rear Bracket MINI-33/44 TMC60		07/09/2015
9	17210030	2	Rear Bracket, PRM-150	07/09/2015	
10	53033010	6	Washer GROWER DIN 127-10		
11	52102309	6	Bolt DIN 933 M10-30 8.8		
12	51030005	2	Washer DIN 125-5		
13	24810913	1	Clamp, CABLE		
14	52102257	2	Bolt DIN 933 M8-20 8.8	10/07/2010	
15	53033008	2	Washer GROWER DIN 127-8	19/11/2013	
16	51030008	2	Washer DIN 125-8	19/11/2013	
17	24880901	1	Bracket, GearBox Control		
18	ALLPA.93	1	Coupling, cable		
18	14719115	1	Coupling, cable		23/05/2017
19	51030006	5	Washer DIN 125-6		
20	51051107	1	Pin DIN-94 1,6-16		
21	53038012	5	Washer DIN 6798-A 12		
22	52120012	2	Nut DIN 934 M12 8.8		
23	52101363	2	Bolt DIN 931 M12-50 8.8		
24	13814070	1	Electric Fuel Feed Pump 12V		
25	17714002	1	Pipe, Pump TO Filter		
26	51086015	1	One Ear Clamp With Interior Ring		
27	13814072	2	NIPPLE EYE		
28	57000361	2	Washer 10-14-1,5	01/06/2013	
29	52102154	2	Bolt DIN 933 M6-10 8.8		
NS	58088282	2	Pastic Cable Zip Tie [NS]	17/01/2014	
NS	58088283	2	Pastic Cable Zip Tie [NS]	27/02/2014	
NS	58088284	1	Pastic Cable Zip Tie [NS]	05/06/2014	
NS	60900126	1	TERMINAL [NS]		

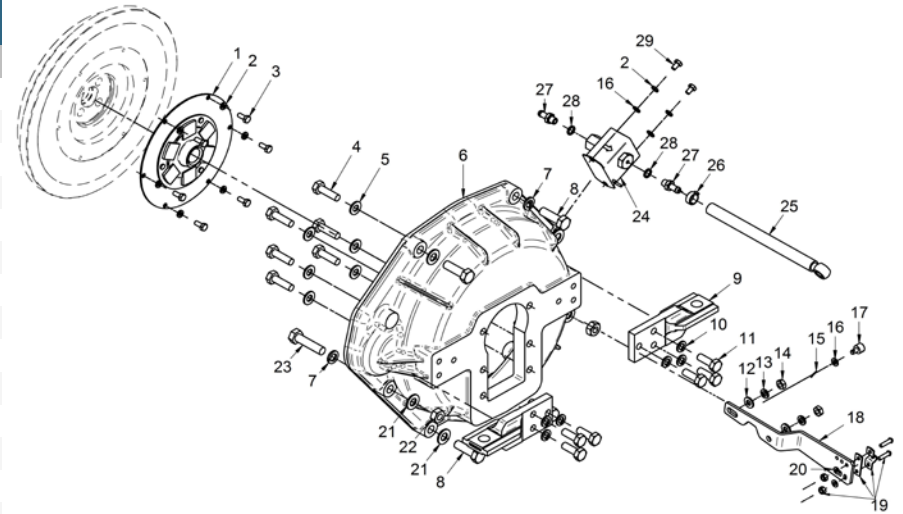


[NS] Not shown





17710230		Kit GearBox HURTH-150A			
FIG.	REF.	QTY	DESCR.	FROM	UPTO
1	14710070	1	Flexible Coupling Type A D. 185		
2	53033006	8	Washer GROWER DIN 127-6		
3	52102156	6	Bolt DIN 933 M6-16 8.8		
4	52101310	6	Bolt DIN 931 M10-35 8.8		
5	53038010	6	Washer DIN 6798-A 10		
6	17210012	1	Bell Housing,REV.HURTH 150V		
7	53033012	2	Washer GROWER DIN 127-12		
8	52202361	3	Bolt DIN 933 M12-1,25-40 8.8		
9	17210026	2	Rear Bracket	23/09/2014	
10	53033010	6	Washer GROWER DIN 127-10		
11	52102309	6	Bolt DIN 933 M10-30 8.8		
12	51030008	2	Washer DIN 125-8		
13	53033008	2	Washer GROWER DIN 127-8		
14	52120008	2	Nut DIN 934 M8 8.8		
15	51051107	1	Pin DIN-94 1,6-16		
16	51030006	6	Washer DIN 125-6		
17	ALLPA.93	1	Coupling,cable	23/05/2017	
17	14719115	1	Coupling,cable		23/05/2017
18	24610901	1	Bracket, GearBox Control		
19	24810913	1	Clamp,CABLE		
20	51030005	2	Washer DIN 125-5		
21	53038012	5	Washer DIN 6798-A 12		
22	52120012	2	Nut DIN 934 M12 8.8		
23	52101363	2	Bolt DIN 931 M12-50 8.8		
24	13814070	1	Electric Fuel Feed Pump 12V		
25	17714002	1	Pipe, Pump TO Filter		
26	51086015	1	One Ear Clamp With Interior Ring	20/12/2016	
26	54081008	1	Clamp DIN 3017 8-16 W4		19/12/2016
27	13814072	2	NIPPLE EYE		
28	57000361	2	Washer 10-14-1,5	01/06/2013	
29	52102154	2	Bolt DIN 933 M6-10 8.8		
NS	58088282	2	Pastic Cable Zip Tie [NS]	17/01/2014	
NS	58088283	2	Pastic Cable Zip Tie [NS]	27/02/2014	
NS	58088284	1	Pastic Cable Zip Tie [NS]	05/06/2014	
NS	60900126	1	TERMINAL [NS]		

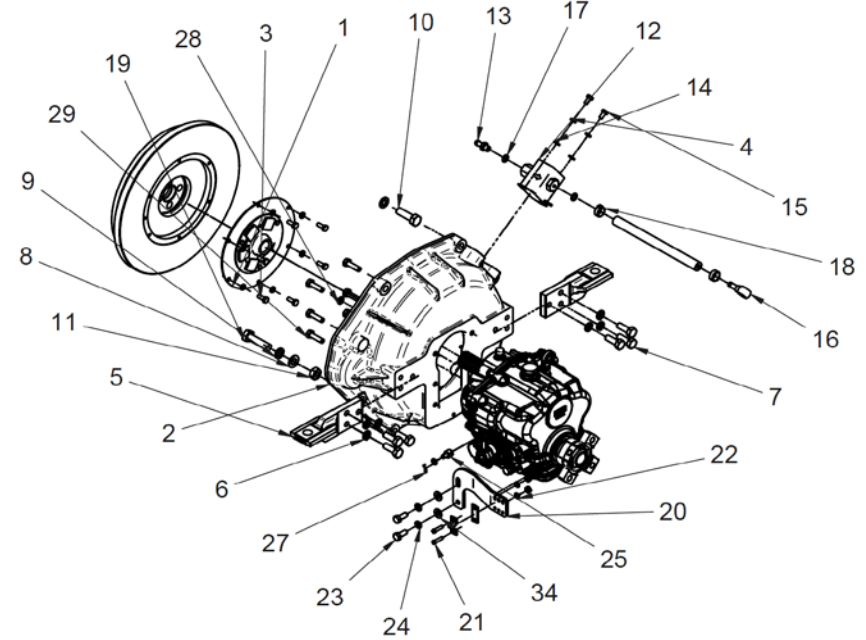


[NS] Not shown





17710240		Kit GearBox TMC-60				
FIG.	REF.	QTY	DESCR.	FROM	UPTO	
1	14710070	1	Flexible Coupling Type A D. 185			
2	17210009	1	Bell Housing, GearBox			
3	52102156	6	Bolt DIN 933 M6-16 8.8			
4	53033006	6	Washer GROWER DIN 127-6			
5	17210026	2	Rear Bracket	23/09/2014		
6	53033010	6	Washer GROWER DIN 127-10			
7	52102309	6	Bolt DIN 933 M10-30 8.8			
8	53038012	5	Washer DIN 6798-A 12			
9	53033012	2	Washer GROWER DIN 127-12			
10	52202361	3	Bolt DIN 933 M12-1,25-40 8.8			
11	52120012	2	Nut DIN 934 M12 8.8			
12	13814070	1	Electric Fuel Feed Pump 12V			
13	13814072	2	NIPPLE EYE			
14	51030006	5	Washer DIN 125-6			
15	52102154	2	Bolt DIN 933 M6-10 8.8			
16	17714002	1	Pipe, Pump TO Filter			
17	57000361	2	Washer 10-14-1,5	01/06/2013		
18	51086015	1	One Ear Clamp With Interior Ring			
19	52101363	2	Bolt DIN 931 M12-50 8.8			
20	24880901	1	Bracket, GearBox Control			
21	24810913	1	Clamp, CABLE			
22	51030005	2	Washer DIN 125-5			
23	52102257	2	Bolt DIN 933 M8-20 8.8	10/07/2010		
24	53033008	2	Washer GROWER DIN 127-8	19/11/2013		
25	ALLPA.93	1	Coupling, cable	23/05/2017		
25	14719115	1	Coupling, cable		23/05/2017	
27	51051107	1	Pin DIN-94 1,6-16		17/07/2017	
28	53038008	6	Washer DIN 6798-A 8			
29	52101259	6	Bolt DIN 931 M8-30 8.8			
33	60900126	1	TERMINAL			
34	51030008	2	Washer DIN 125-8	19/11/2013		
NS	58088282	2	Pastic Cable Zip Tie [NS]	17/01/2014		
NS	58088283	2	Pastic Cable Zip Tie [NS]	27/02/2014		
NS	58088284	1	Pastic Cable Zip Tie [NS]	05/06/2014		

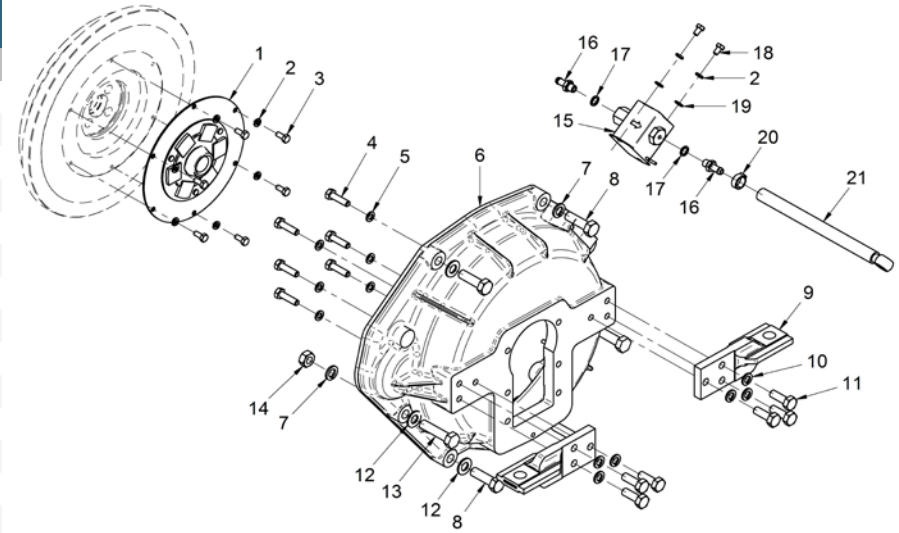


[NS] Not shown





17710243 Kit GearBox TMC35A2						
FIG.	REF.	QTY	DESCR.	FROM	UPTO	
1	14710070	1	Flexible Coupling Type A D. 185			
2	53033006	6	Washer GROWER DIN 127-6			
3	52102156	6	Bolt DIN 933 M6-16 8.8			
4	52101260	6	Bolt DIN 931 M8-35 8.8			
5	53038008	6	Washer DIN 6798-A 8			
6	17210009	1	Bell Housing, GearBox			
7	53033012	3	Washer GROWER DIN 127-12			
8	52202361	4	Bolt DIN 933 M12-1,25-40 8.8			
9	17210026	2	Rear Bracket	23/09/2014		
10	53033010	6	Washer GROWER DIN 127-10			
11	52102309	6	Bolt DIN 933 M10-30 8.8			
12	53038012	6	Washer DIN 6798-A 12			
13	52101363	2	Bolt DIN 931 M12-50 8.8			
14	52120012	2	Nut DIN 934 M12 8.8			
15	13814070	1	Electric Fuel Feed Pump 12V			
16	13814072	2	NIPPLE EYE			
17	57000361	2	Washer 10-14-1,5	01/06/2013		
18	52102154	2	Bolt DIN 933 M6-10 8.8			
19	51030006	2	Washer DIN 125-6			
20	51086015	1	One Ear Clamp With Interior Ring			
21	17714002	1	Pipe, Pump TO Filter			
NS	58088282	2	Pastic Cable Zip Tie [NS]	17/01/2014		
NS	58088283	2	Pastic Cable Zip Tie [NS]	27/02/2014		
NS	58088284	1	Pastic Cable Zip Tie [NS]	05/06/2014		
NS	60900126	1	TERMINAL [NS]			

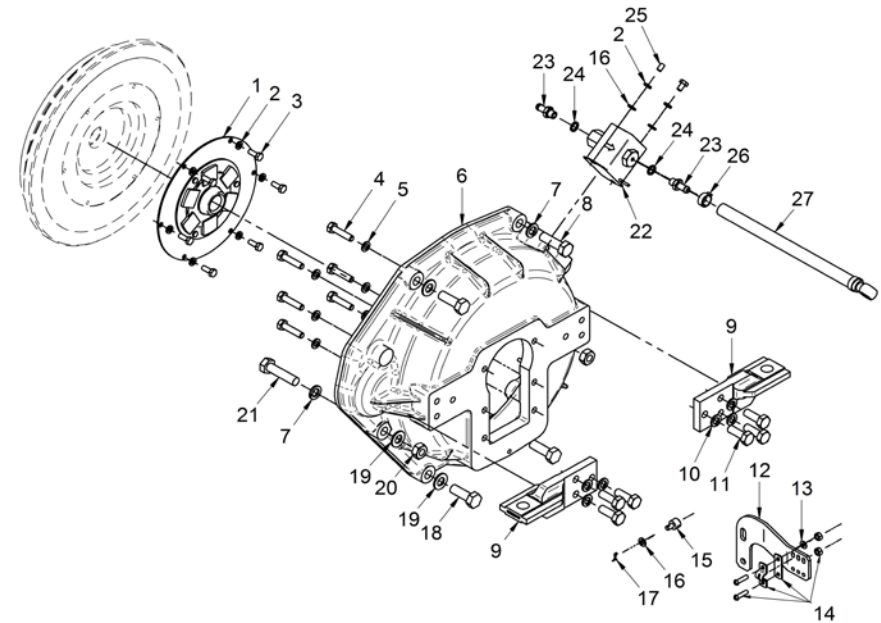


[NS] Not shown





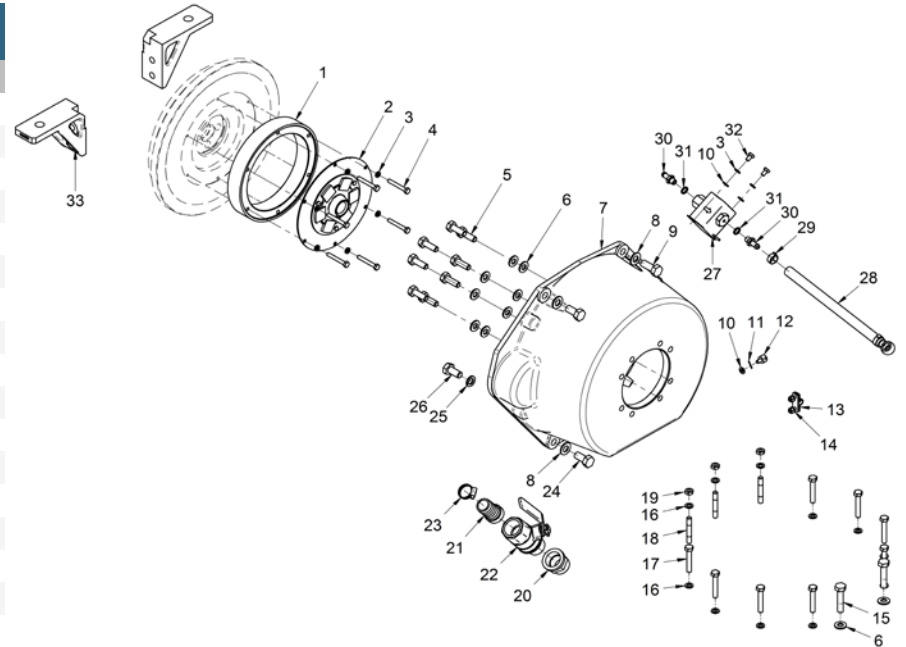
17732100A		Kit GearBox TMC/ZF/PRM			
FIG.	REF.	QTY	DESCR.	FROM	UPTO
1	14710070	1	Flexible Coupling Type A D. 185		
2	53033006	6	Washer GROWER DIN 127-6		
3	52102156	6	Bolt DIN 933 M6-16 8.8		
4	52101260	6	Bolt DIN 931 M8-35 8.8		
5	53038008	6	Washer DIN 6798-A 8		
6	17210009	1	Bell Housing, GearBox		
7	52120012	2	Nut DIN 934 M12 8.8		
7	53033012	5	Washer GROWER DIN 127-12		
8	52202361	4	Bolt DIN 933 M12-1,25-40 8.8		
9	17210026	2	Rear Bracket	23/09/2014	
10	53033010	6	Washer GROWER DIN 127-10		
11	52102309	6	Bolt DIN 933 M10-30 8.8		
16	51030006	2	Washer DIN 125-6		
19	53038012	3	Washer DIN 6798-A 12		
21	52101363	2	Bolt DIN 931 M12-50 8.8		
22	13814070	1	Electric Fuel Feed Pump 12V		
23	13814072	2	NIPPLE EYE		
24	57000361	2	Washer 10-14-1,5	01/06/2013	
25	52102154	2	Bolt DIN 933 M6-10 8.8		
26	54081008	1	Clamp DIN 3017 8-16 W4		
27	13814012	1	Pipe	25/09/2007	
NS	58088282	2	Pastic Cable Zip Tie [NS]	17/01/2014	
NS	58088283	2	Pastic Cable Zip Tie [NS]	27/02/2014	
NS	58088284	1	Pastic Cable Zip Tie [NS]	05/06/2014	
NS	60900126	1	TERMINAL [NS]		



[NS] Not shown



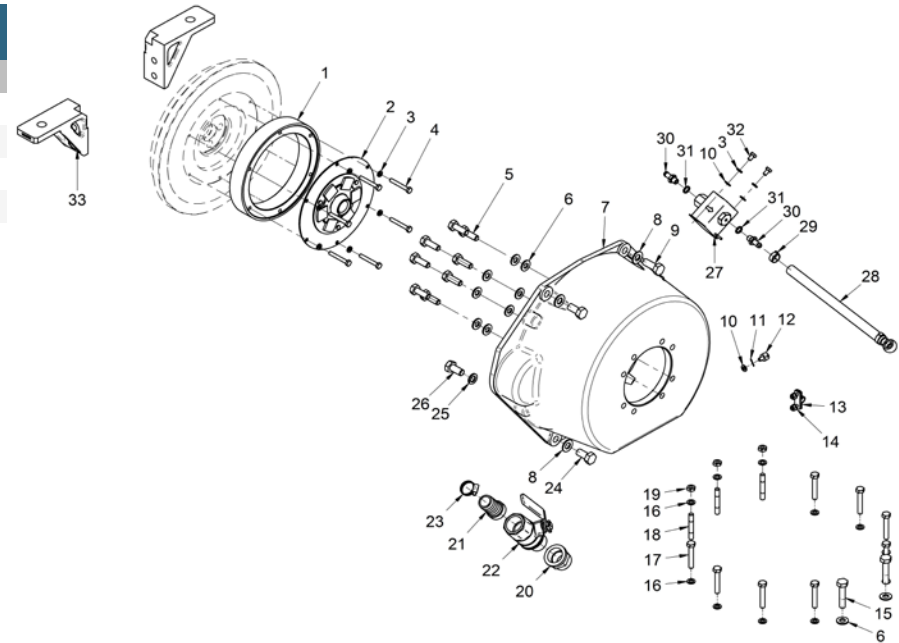
17732100T		Kit S-Drive TECHNO.SP60			
FIG.	REF.	QTY	DESCR.	FROM	UPTO
1	17210044	1	Suplement,Flywheel		
2	14710070	1	Flexible Coupling Type A D. 185		
3	53033006	8	Washer GROWER DIN 127-6		
4	52101162	6	Bolt DIN 931 M6-45 8.8		
5	52102309	8	Bolt DIN 933 M10-30 8.8		
6	53038010	10	Washer DIN 6798-A 10		
7	17210013	1	Bell Housing		
8	53038012	4	Washer DIN 6798-A 12		
9	52202359	1	Bolt DIN 933 M12-1,25-30 8.8		
10	51030006	3	Washer DIN 125-6		
11	51051107	1	Pin DIN-94 1,6-16		
12	14719115	1	Coupling,cable		
13	24810913	1	Clamp,CABLE		
14	51030005	2	Washer DIN 125-5		
15	52101313	2	Bolt DIN 931 M10-50 8.8		
16	53038008	11	Washer DIN 6798-A 8		
17	52101263	8	Bolt DIN 931 M8-50 8.8		
18	40019030	3	Stud		
19	52120008	3	Nut DIN 934 M8 8.8		
20	17111006	1	Racord 1" M-H		
21	60151007	1	Outlet Coupling		02/08/2017
21	60371058	1	Hose Connection 1" x 27	02/08/2017	
22	17111005	1	Water Trainer 1" M-H		
23	54082025	2	Clamp DIN 3017 25-40/12 W4		
24	52202358	2	Bolt DIN 933 M12-1,25-25 8.8		
25	53033012	3	Washer GROWER DIN 127-12		
26	52102358	2	Bolt DIN 933 M12-25 8.8		
27	13814070	1	Electric Fuel Feed Pump 12V		
28	13814012	1	Pipe	25/09/2007	
29	51086015	1	One Ear Clamp With Interior Ring	01/03/2017	
29	54081008	1	Clamp DIN 3017 8-16 W4		28/02/2017
30	13814072	2	NIPPLE EYE		
31	57000361	2	Washer 10-14-1,5	01/06/2013	
32	52102154	2	Bolt DIN 933 M6-10 8.8		
33	17210005	2	Bracket,Front	15/10/2014	10/07/2017



[NS] Not shown

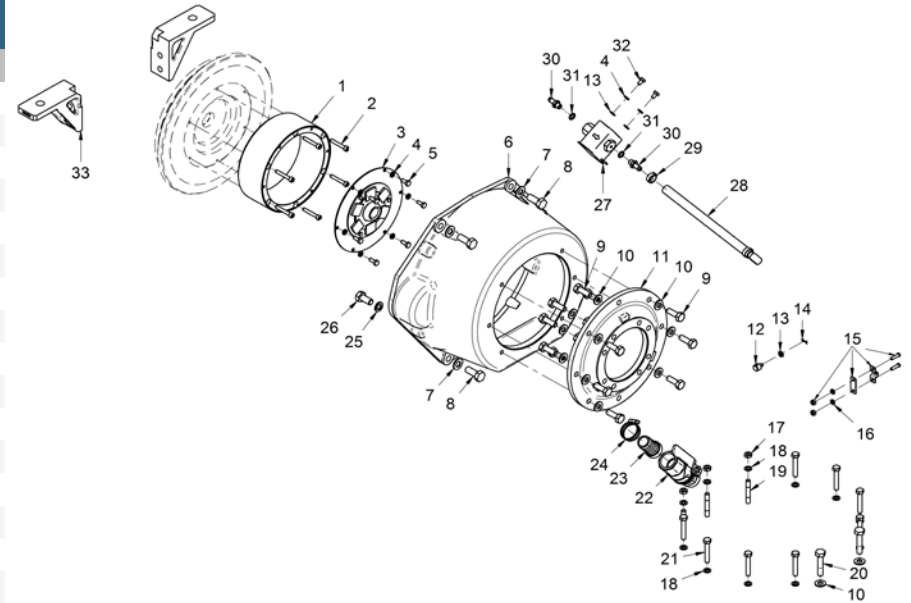


17732100T		Kit S-Drive TECHNO.SP60			
FIG.	REF.	QTY	DESCR.	FROM	UPTO
33	17210005.1	2	Front Bracket	10/07/2017	
NS	M87502535	1	Water Intake Hose (HQ) D. 25-33 [NS]		
NS	58088282	2	Pastic Cable Zip Tie [NS]	17/01/2014	
NS	60900126	1	TERMINAL [NS]		





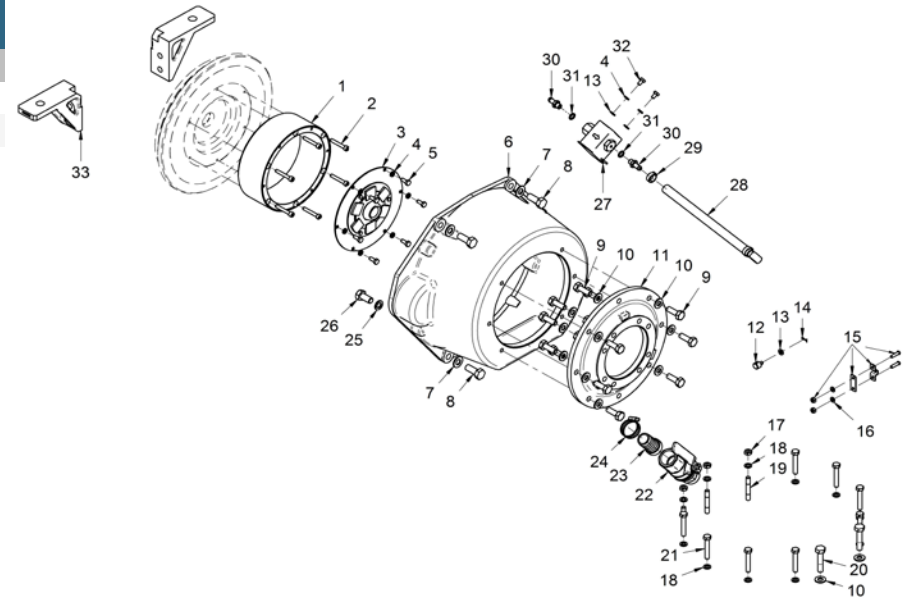
17732101T		Kit S-Drive TECHNO.SP60 Hybrid			
FIG.	REF.	QTY	DESCR.	FROM	UPTO
1	17210018	1	Suplement,Flywheel		
2	52103161	6	Bolt DIN 912 M6-40 8.8		
3	14710070	1	Flexible Coupling Type A D. 185		
4	53033006	8	Washer GROWER DIN 127-6		
6	13410021	1	Adaptor Flange M-34		
7	53038012	4	Washer DIN 6798-A 12		
8	52202359	1	Bolt DIN 933 M12-1,25-30 8.8		
9	52102309	14	Bolt DIN 933 M10-30 8.8		
10	53038010	16	Washer DIN 6798-A 10		
11	24813501	1	BW Bell Housing		
12	14719115	1	Coupling,cable		
13	51030006	3	Washer DIN 125-6		
14	51051107	1	Pin DIN-94 1,6-16		
15	24810913	1	Clamp,CABLE		
16	17210005	2	Bracket,Front	15/10/2014	10/07/2017
16	17210005.1	2	Front Bracket	10/07/2017	
16	51030005	2	Washer DIN 125-5		
17	52120008	3	Nut DIN 934 M8 8.8		
18	53038008	11	Washer DIN 6798-A 8		
19	40019030	3	Stud		
20	52101313	2	Bolt DIN 931 M10-50 8.8		
21	52101263	8	Bolt DIN 931 M8-50 8.8		
22	17111005	1	Water Trainer 1" M-H		
23	60151007	1	Outlet Coupling		02/08/2017
23	60371058	1	Hose Connection 1" x 27	02/08/2017	
24	54082025	2	Clamp DIN 3017 25-40/12 W4		
25	53033012	3	Washer GROWER DIN 127-12		
26	52102358	2	Bolt DIN 933 M12-25 8.8		
27	13814070	1	Electric Fuel Feed Pump 12V		
28	13814012	1	Pipe	25/09/2007	
29	54081008	1	Clamp DIN 3017 8-16 W4		
30	13814072	2	NIPPLE EYE		
31	57000361	2	Washer 10-14-1,5	01/06/2013	
32	52102154	2	Bolt DIN 933 M6-10 8.8		
NS	M87502535	1	Water Intake Hose (HQ) D. 25-33 [NS]		



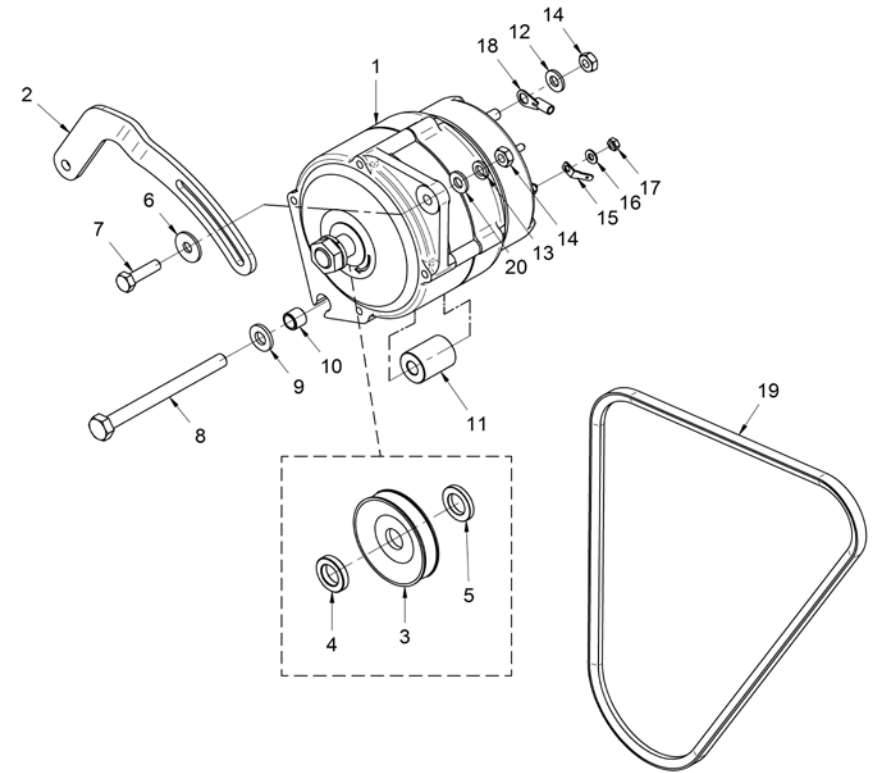
[NS] Not shown



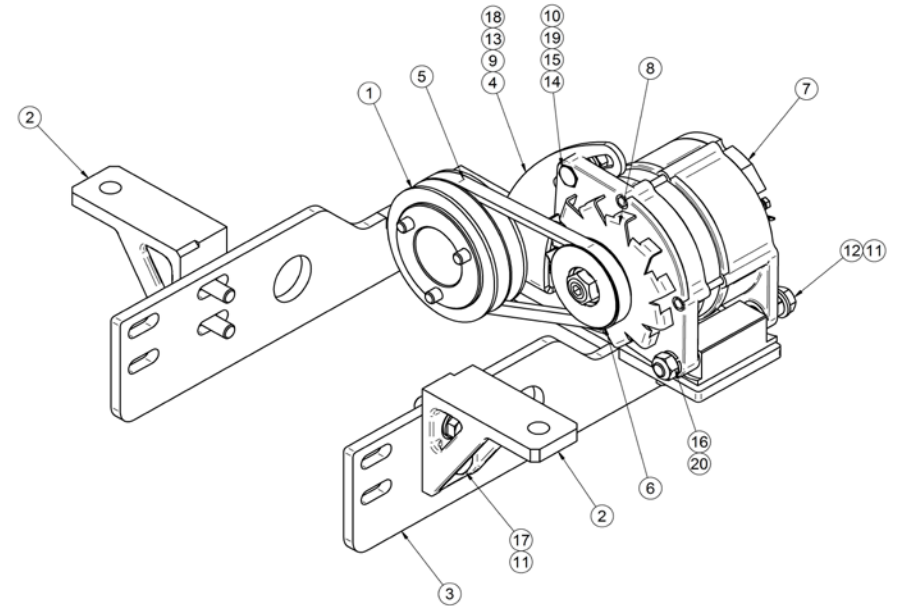
17732101T		Kit S-Drive TECHNO.SP60 Hybrid			
FIG.	REF.	QTY	DESCR.	FROM	UPTO
NS	17111006	1	Racord 1" M-H [NS]		
NS	58088282	2	Pastic Cable Zip Tie [NS]	17/01/2014	
NS	60900126	1	TERMINAL [NS]		



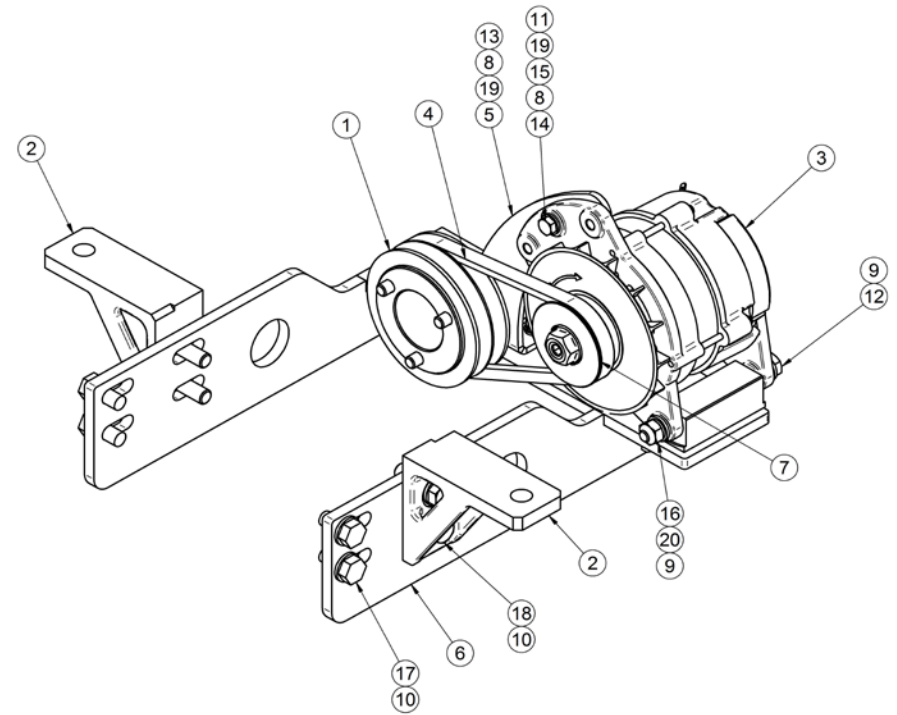
17217055		Kit Alternator 14V.95A.			
FIG.	REF.	QTY	DESCR.	FROM	UPTO
1	17117025	1	Alt. 14V/95A Mahle	13/04/2016	
2	17227007.4	1	Plate		
3	13817012.7	1	Pulley		
4	13817017	1	Spacer 17X28X5,5	09/09/2015	
5	13817016	1	Spacer 17X28X4		
6	51031008	1	Washer DIN 9021 8		
7	52102258	1	Bolt DIN 933 M8-25 8.8	31/07/2017	
7	52102259	1	Bolt DIN 933 M8-30 8.8		30/07/2017
8	52101325	1	Bolt DIN 931 M10-120 8.8		
9	53038010	1	Washer DIN 6798-A 10		
10	17417025	1	Spacer 13.5x10.2x11	09/09/2015	
11	17217006	1	Spacer 10,5X25X32		
12	51030008	1	Washer DIN 125-8		
13	53033008	1	Washer GROWER DIN 127-8		30/07/2017
14	52120008	2	Nut DIN 934 M8 8.8		
15	TFM.6.3.T.5.l	1	Straight Receptacle 6.3 Faston		
16	51030005	1	Washer DIN 125-5		
17	52120005	1	Nut DIN 934 M5 8.8		
18	TR.10.8	1	Ring Terminal 10 Sec.		
19	17021028	1	Belt Type SPZX 987		
20	53038008	1	Washer DIN 6798-A 8	31/07/2017	



17217102		Kit 2nd Alternator 28V/55A			
FIG.	REF.	QTY	DESCR.	FROM	UPTO
1	13110202	1	Pulley 2A (S)		
2	17210004	2	Bracket,Front		
2	17210004.1	2	Bracket, Front	18/11/2014	
3	17217102.3	1	Bracket, Alternator		
4	17217102.5	1	Plate		
5	17217102.6	1	Belt Type AX 21		
6	17417020	1	Pulley Alternator		
7	17417027	1	Alt. 28V/55A Mahle	16/03/2016	
8	18017021	1	PAN,alternator L.H.		
9	51030008	2	Washer DIN 125-8		
10	51030010	1	Washer DIN 125-10		
11	51030012	5	Washer DIN 125-12		
12	52101376	1	Bolt DIN 931 M12-130 8.8		
13	52102257	2	Bolt DIN 933 M8-20 8.8		
14	52102309	1	Bolt DIN 933 M10-30 8.8		
15	52120010	1	Nut DIN 934 M10 8.8		
16	52120012	1	Nut DIN 934 M12 8.8		
17	52202361	4	Bolt DIN 933 M12-1,25-40 8.8		
18	53033008	2	Washer GROWER DIN 127-8		
19	53033010	1	Washer GROWER DIN 127-10		
20	53033012	1	Washer GROWER DIN 127-12		



17217103		Kit 2nd Alternator 14V/90A			
FIG.	REF.	QTY	DESCR.	FROM	UPTO
1	13110202	1	Pulley 2A (S)		
2	17210004.1	2	Bracket, Front	18/11/2014	
3	17217019	1	Alternator 14V/90A		
4	17217102.6	1	Belt Type AX 21		
5	17217103.1	1	Plate		
6	17217103.3	1	Bracket, Alternator		
7	17417020	1	Pulley Alternator		
8	51030008	3	Washer DIN 125-8		
9	51030010	2	Washer DIN 125-10		
10	51030012	8	Washer DIN 125-12		
11	51031008	1	Washer DIN 9021 8		
12	52101326	1	Bolt DIN 931 M10-130 8.8		
13	52102256	2	Bolt DIN 933 M8-15 8.8		
14	52102259	1	Bolt DIN 933 M8-30 8.8		
15	52120008	1	Nut DIN 934 M8 8.8		
16	52120010	1	Nut DIN 934 M10 8.8		
17	52202358	4	Bolt DIN 933 M12-1,25-25 8.8		
18	52202361	4	Bolt DIN 933 M12-1,25-40 8.8		
19	53033008	3	Washer GROWER DIN 127-8		
20	53033010	1	Washer GROWER DIN 127-10		
NS	13817016	1	Spacer 17X28X4 [NS]		
NS	53033012	4	Washer GROWER DIN 127-12 [NS]		
NS	53033016C	1	Washer [NS]		

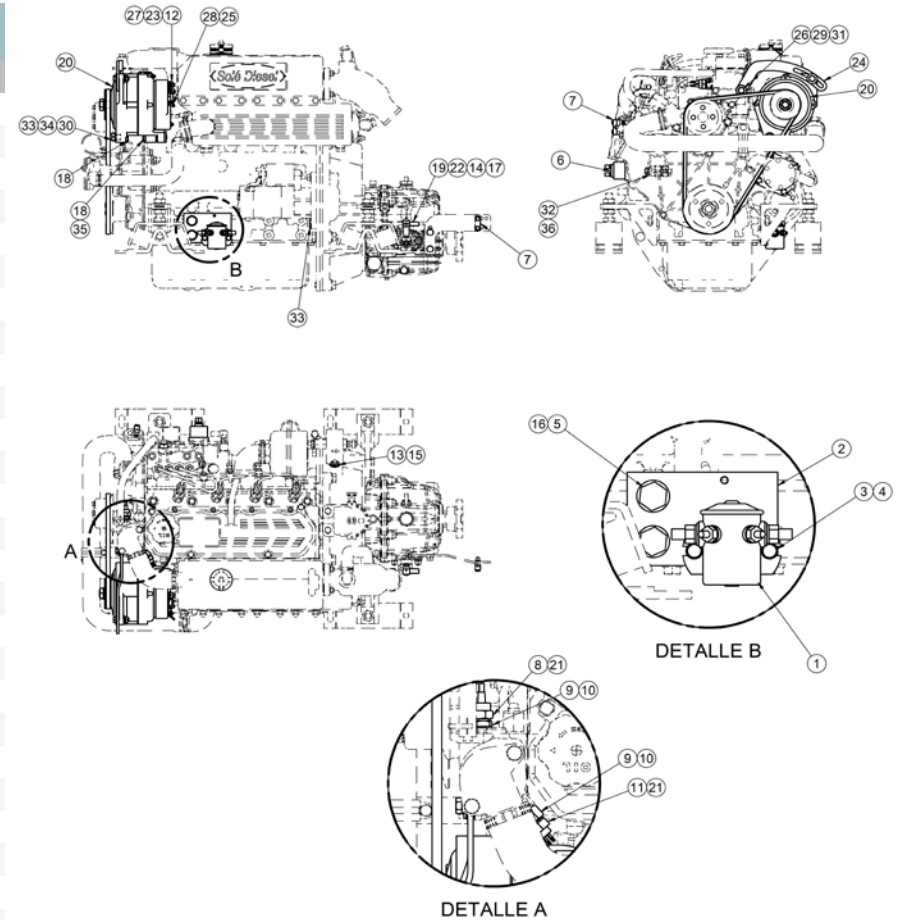


[NS] Not shown





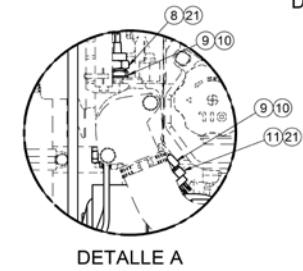
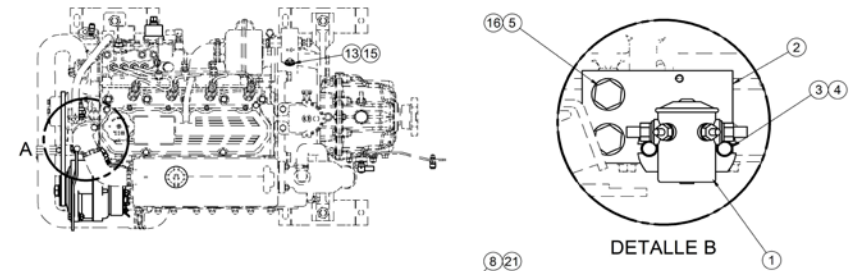
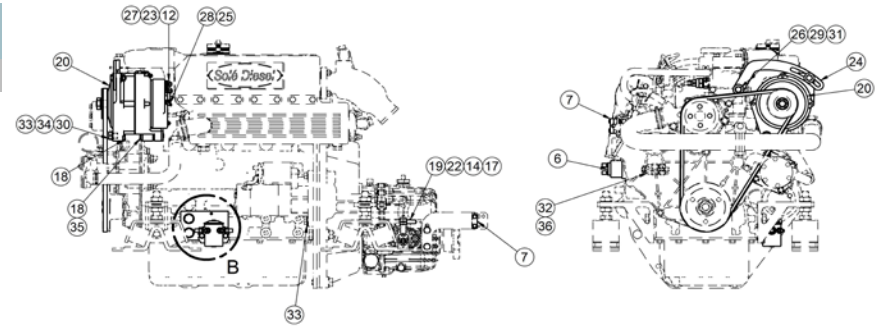
17217200		Kit Wire Earth Isolated Alternator 14V/9			
FIG.	REF.	QTY	DESCR.	FROM	UPTO
1	19017104	1	Relay 12 V. Bipolar		19/06/2017
1	19017113	1	Relay 12 V, Earth Isolated	20/06/2017	
2	17317003	1	Support, Relay	20/06/2017	
2	60572701	1	Support, Relay		19/06/2017
3	52102154	2	Bolt DIN 933 M6-10 8.8		
4	51030006	2	Washer DIN 125-6		
5	52202359	2	Bolt DIN 933 M12-1,25-30 8.8		
6	60900987	1	Sender, Oil Press.		
7	13019001	2	Clamp		
8	60900972	1	High Coolant, 2 Poles		
9	60900999	2	Connection M14X1,5 5/8" EXA.22 L=22		
10	56000073	2	Copper Washer 16-23-1,5		
11	60900982	1	Temperature SENDER		
13	17417014	2	Washer		
15	17417010	2	Bushing		
16	51030012	2	Washer DIN 125-12		
18	17217011	2	Bushing		
19	15119015	1	CABLE Holder Ball		
20	17117016B.2	1	Alt. 14V/95A		
21	56000069	1	Washer 14-20-1,5		
22	14419023	1	Ball JOINT		
24	17227007.4B	1	Plate		
28	TFM.6.3.T.5.I	2	Straight Receptacle 6.3 Faston		
29	17217012	2	Bushing		
31	51031008	1	Washer DIN 9021 8		
32	60900978	1	Switch, Oil Press		
35	17217018	1	Spacer 10,5x25x25		
36	17117052	1	Oil Pressure Sensor Adaptor	29/09/2015	
NS	51030010	1	Washer DIN 125-10 [NS]		
NS	53033006	1	Washer GROWER DIN 127-6 [NS]		
NS	60900126	1	TERMINAL [NS]		
NS	60900152	1	Wire [NS]		
NS	60900155	1	Wire [NS]		
NS	60972048	1	MASS BLACK TO Wiring START [NS]		
NS	60972201	1	Wir. Elect. Isolated MINI-33/44/55 SVT [NS]	13/04/2016	



[NS] Not shown



17217200		Kit Wire Earth Isolated Alternator 14V/9			
FIG.	REF.	QTY	DESCR.	FROM	UPTO
NS	60972202R.2	1	MINI-33/44/55 E. Wiring EARTH ISOLATED [NS]		13/04/2016





17317209		Kit 24V Engine Elec. System & SVT 30 V.3			
FIG.	REF.	QTY	DESCR.	FROM	UPTO
	TFH.1M.6.3.08	1	Straight Receptacle 1 Sec. Faston		
	TR.4.6	2	Ring Terminal 4 Sec.		
	TR.6.6	1	Ring Terminal 6 Sec.		
	13814072	2	NIPPLE EYE		
	13817012.7	1	Pulley		
	13824025.2	1	Stop SOLENOID 24V-ETS		
	17117002	1	Spacer 8,5X20X5		
	17117052	1	Oil Pressure Sensor Adaptor		
	17217014	1	Plate		
	17227017.2	4	Glow Plug 24V		
	17327001.2	1	Starter Assy 24V		
	17417005	1	Relay 24V 24-100		
	17417005.1	1	Relay 24V 24-22A		
	17417024	1	Alternator 28V/55A		
	19014070	1	Pump 24V.		
	51030006	1	Washer DIN 125-6		
	51030008	2	Washer DIN 125-8		
	51030010	2	Washer DIN 125-10		
	52101268	1	Bolt DIN 931 M8-75 8.8		
	52105156	1	Bolt DIN 7991 M6-15 10.9		17/07/2017
	52120010	1	Nut DIN 934 M10 8.8		
	53033008	1	Washer GROWER DIN 127-8		
	53033010	1	Washer GROWER DIN 127-10		
	57000361	1	Washer 10-14-1,5		
	60900063	1	Insulator Cap Faston 6.3		
	60900985	1	Pressure Sensor		
	60972134	1	SVT 30 MINI-33/44/55 24V Panel		

**IMAGEN DISPONIBLE PRÓXIMAMENTE
IMAGE AVAILABLE COMING SOON**



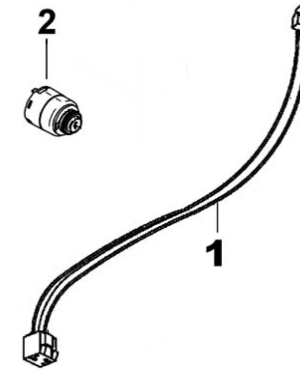


17317210		Kit 24V Engine Electrical System v3			
FIG.	REF.	QTY	DESCR.	FROM	UPTO
	TR.4.6	2	Ring Terminal 4 Sec.		
	TR.6.6	1	Ring Terminal 6 Sec.		
	13814072	2	NIPPLE EYE		
	13817012.7	1	Pulley		
	13824025.2	1	Stop SOLENOID 24V-ETS		
	17117002	1	Spacer 8,5X20X5		
	17217014	1	Plate		
	17227017.2	4	Glow Plug 24V		
	17327001.2	1	Starter Assy 24V		
	17417005	1	Relay 24V 24-100		
	17417005.1	1	Relay 24V 24-22A		
	17417024	1	Alternator 28V/55A		
	19014070	1	Pump 24V.		
	51030006	1	Washer DIN 125-6		
	51030008	2	Washer DIN 125-8		
	51030010	2	Washer DIN 125-10		
	52101268	1	Bolt DIN 931 M8-75 8.8		
	52105156	1	Bolt DIN 7991 M6-15 10.9		17/07/2017
	52120010	1	Nut DIN 934 M10 8.8		
	53033008	1	Washer GROWER DIN 127-8		
	53033010	1	Washer GROWER DIN 127-10		
	57000361	1	Washer 10-14-1,5		
	60973130	1	SVT 20 MINI-33/44/55 24V Panel		

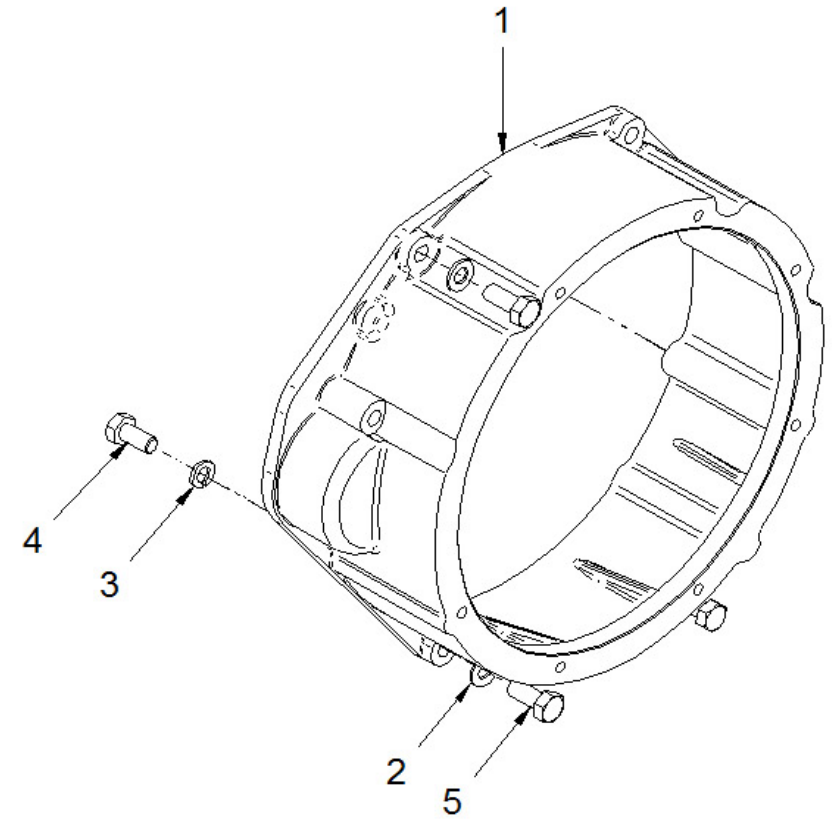
**IMAGEN DISPONIBLE PRÓXIMAMENTE
IMAGE AVAILABLE COMING SOON**



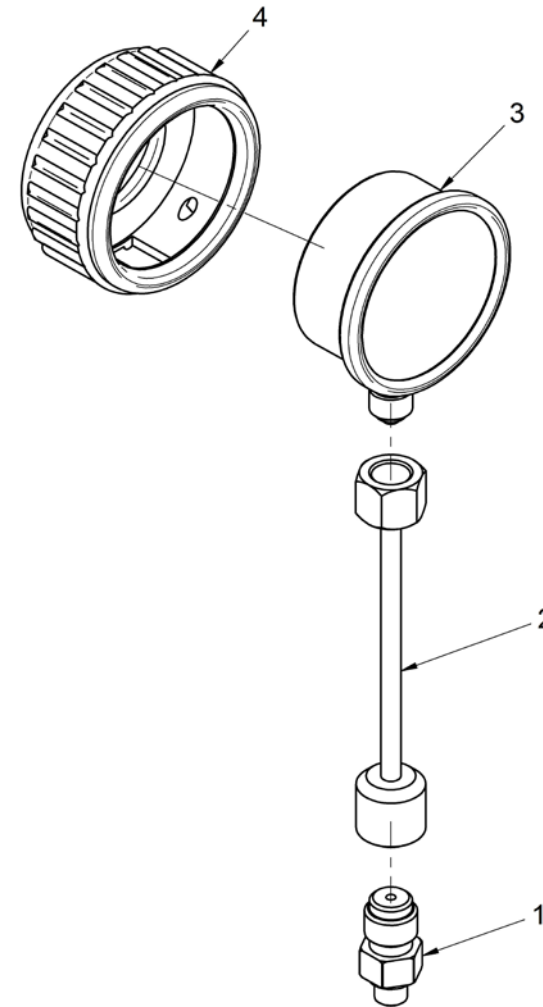
24813510		Kit Water Leak Sensor & Alarm SP60 12V			
FIG.	REF.	QTY	DESCR.	FROM	UPTO
1	60938203	1	SPROP60 Water SYStem Alarm SYSTEM		
2	24813504	1	Water Alarm Sensor		



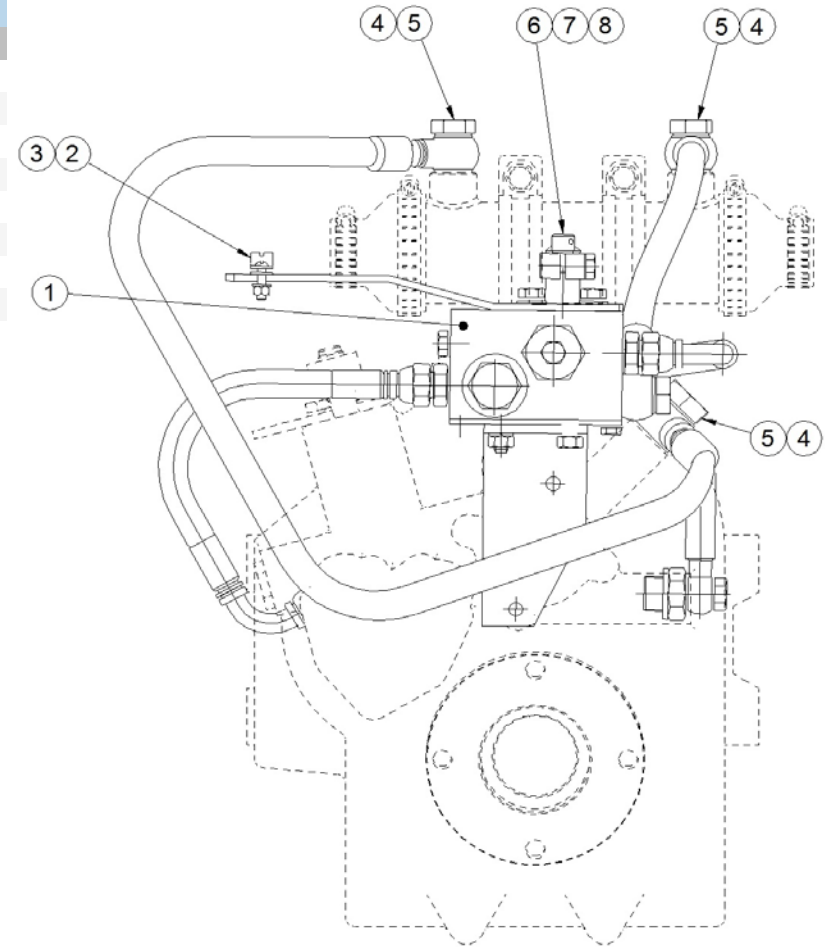
13410019C		SAE 5,Adaptor Flange				
FIG.	REF.	QTY	DESCR.	FROM	UPTO	
1	13410019	1	SAE 5,adaptor flange			
2	53038012	3	Washer DIN 6798-A 12			
3	53033012	2	Washer GROWER DIN 127-12			
4	52102358	2	Bolt DIN 933 M12-25 8.8			
5	52202359	3	Bolt DIN 933 M12-1,25-30 8.8			



13812010 Pression Gauge Kit						
FIG.	REF.	QTY	DESCR.	FROM	UPTO	
1	13812013.1	1	Pressure Tap			
2	13812011	1	Flexible Hose F-M G1/4-M16x2			
3	13812012	1	Presion Gauge 0-10 bar			
4	13812014	1	Protective Rubber			



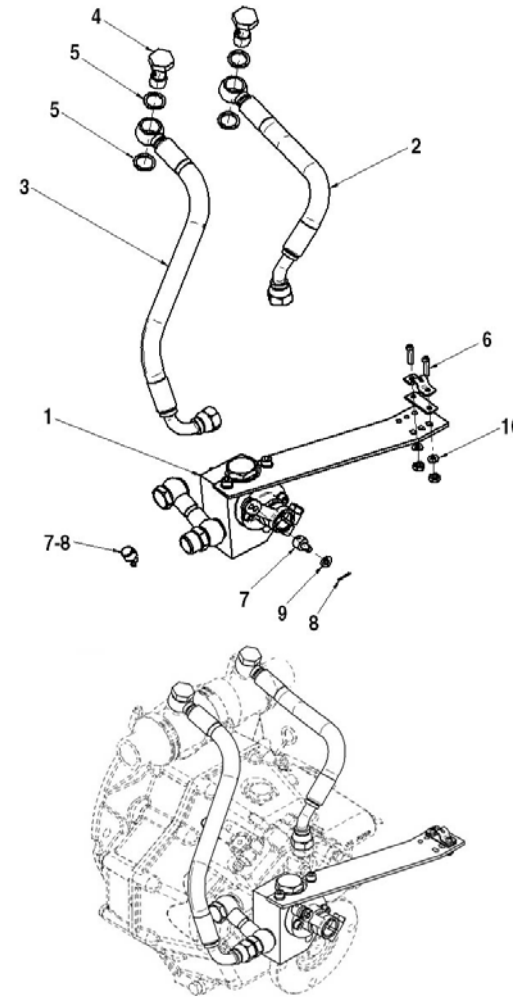
17012093		Kit Trolling Valve for TM-93			
FIG.	REF.	QTY	DESCR.	FROM	UPTO
1	24810050	1	Trolling Valve TM-93		
2	24810913	1	Clamp, CABLE		
3	51030005	2	Washer DIN 125-5		
4	57000375	6	Washer 17-22-1,5		
5	14712015	3	Bolt, Coupling pipe oil		
6	14719115	2	Coupling, cable		
7	51030006	4	Washer DIN 125-6		
8	51051107	2	Pin DIN-94 1,6-16		
NS	17112024	2	Pipe, rev.oil Cooler [NS]		



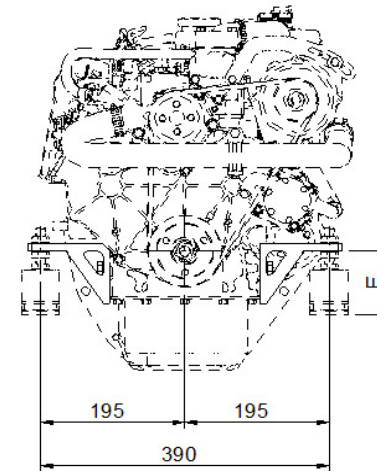
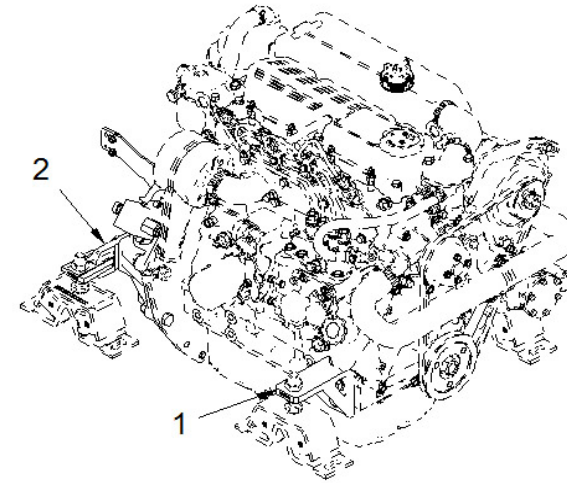
[NS] Not shown



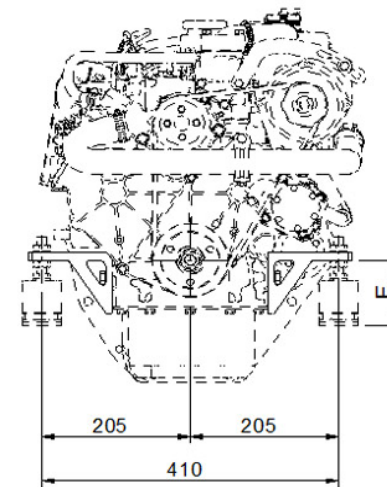
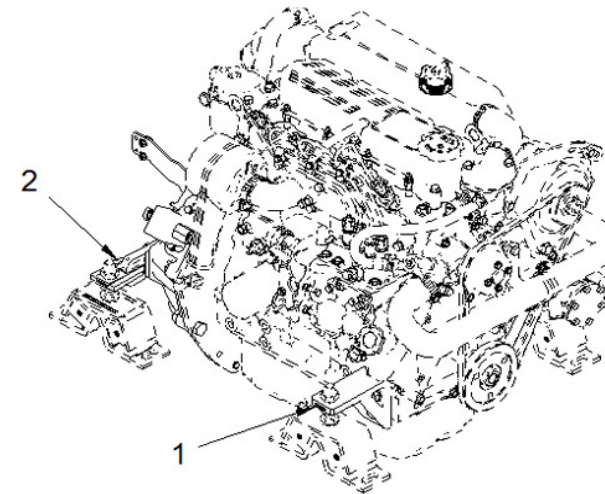
17012345		Kit Trolling Valve for TM-345/A			
FIG.	REF.	QTY	DESCR.	FROM	UPTO
1	24850050	1	Trolling Valve TM-345A		
2	17012024	1	Pipe		
3	17512017	1	Pipe, rev.oil Cooler		
4	14712015	2	Bolt,Coupling pipe oil		
5	57000375	4	Washer 17-22-1,5		
6	24810913	1	Clamp,CABLE		
7	14719115	2	Coupling,cable		
8	51051107	2	Pin DIN-94 1,6-16		
9	51030006	1	Washer DIN 125-6		
10	51030005	2	Washer DIN 125-5		



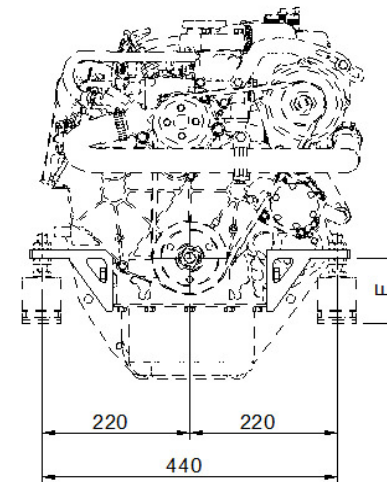
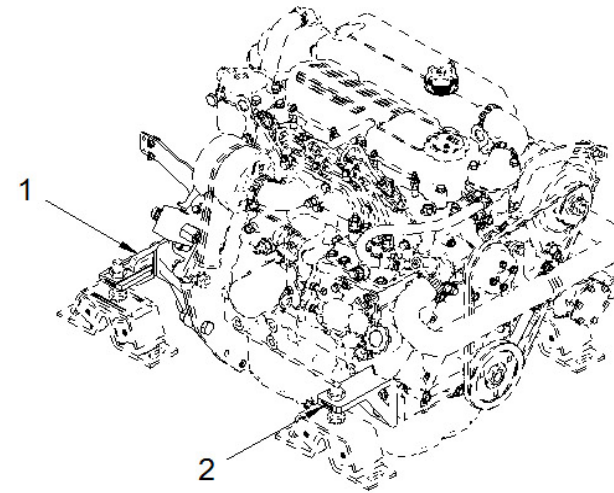
17210031		Motor Bracket Width 195				
FIG.	REF.	QTY	DESCR.	FROM	UPTO	
1	17210001.7	2	Bracket, Front (Width 195)			
2	17210010.2	2	Bracket, Rear (Width 195)			



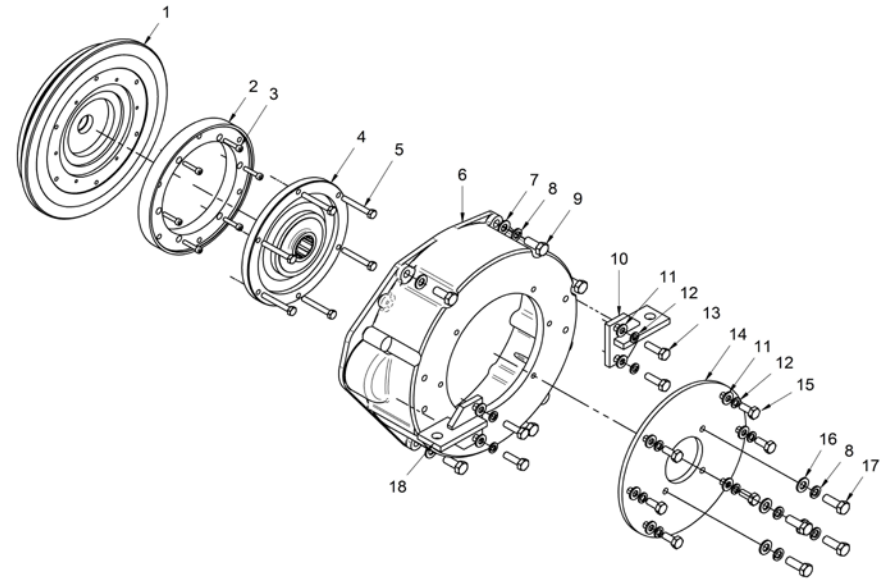
17210032		Motor Bracket Width 205				
FIG.	REF.	QTY	DESCR.	FROM	UPTO	
1	17210028.3	2	Bracket, Front (Width 205)	19/05/2016		
2	17210026.1	2	Bracket, Rear (Width 205)	19/05/2016		



17210033		Motor Bracket Width 220				
FIG.	REF.	QTY	DESCR.	FROM	UPTO	
1	17210001.9	2	Bracket, Front (Width 220)			
2	17210010.4	2	Bracket, Rear (Width 220)			

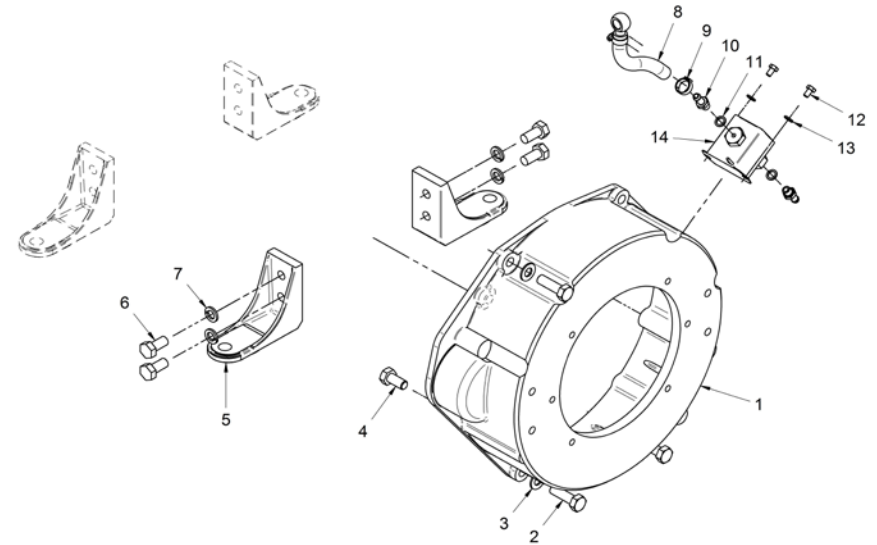


17210127		Kit Pump LEDUC XP25				
FIG.	REF.	QTY	DESCR.	FROM	UPTO	
1	17322027.1	1	Flywheel			
2	17210027	1	Suplement,Flywheel SAE 6,5			
3	52103159	6	Bolt DIN 912 M6-30 8.8			
3	53038008	6	Washer DIN 6798-A 8			
4	17210075	1	Flexible Coupling CENTAFLEX			
5	52101264	6	Bolt DIN 931 M8-55 8.8			
6	13410018	1	SAE 7,adaptor flange			
7	53038012	5	Washer DIN 6798-A 12			
8	53033012	7	Washer GROWER DIN 127-12			
9	52202359	5	Bolt DIN 933 M12-1,25-30 8.8			
10	17010003	1	Bracket			
11	51030010	10	Washer DIN 125-10			
12	53033010	10	Washer GROWER DIN 127-10			
13	52102310	4	Bolt DIN 933 M10-35 8.8			
14	17210023	1	Flange, LEDUC SAE 7 Pump			
15	52102308	6	Bolt DIN 933 M10-25 8.8			
16	51030012	4	Washer DIN 125-12			
18	17010004	1	Bracket			





17210127.4		Kit Bobtail SAE-7			
FIG.	REF.	QTY	DESCR.	FROM	UPTO
1	13410018	1	SAE 7,adaptor flange		
2	17210028	2	Bracket, Front	08/10/2014	
3	17210003	1	Bracket, Engine Auxiliar		02/07/2017
4	13814070	1	Electric Fuel Feed Pump 12V		
5	13814012	1	Pipe		
6	53033006	2	Washer GROWER DIN 127-6		
7	52102154	2	Bolt DIN 933 M6-10 8.8		
8	51086015	1	One Ear Clamp With Interior Ring		
9	57000361	2	Washer 10-14-1,5		
10	13814072	2	NIPPLE EYE		
12	52202359	7	Bolt DIN 933 M12-1,25-30 8.8		
14	53033012	6	Washer GROWER DIN 127-12		
NS	52202361	3	Bolt DIN 933 M12-1,25-40 8.8 [NS]		
NS	53038012	6	Washer DIN 6798-A 12 [NS]		
NS	60900126	1	TERMINAL [NS]		

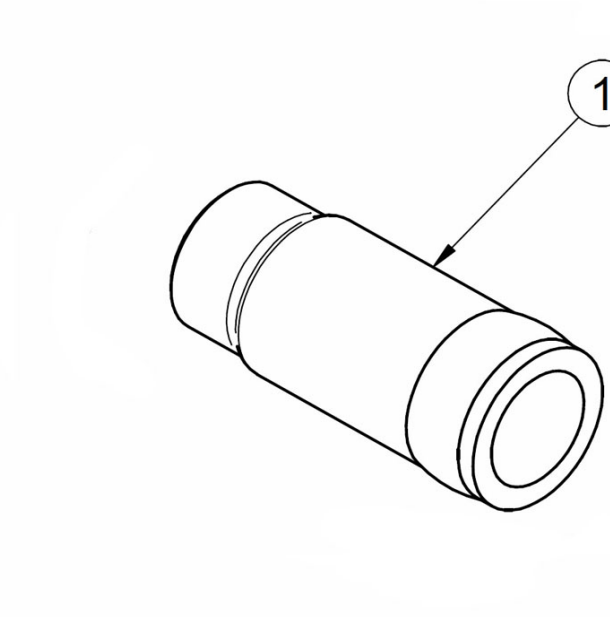


[NS] Not shown

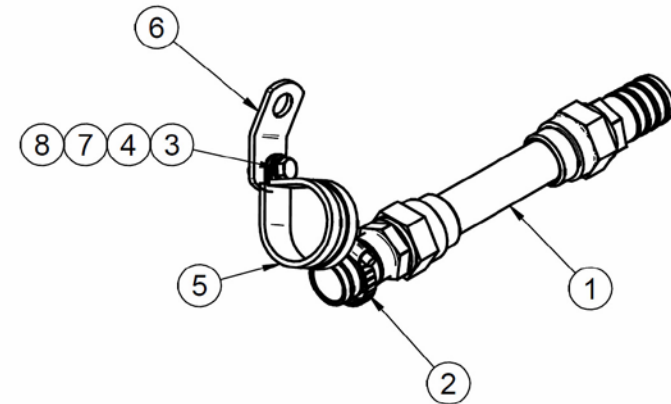
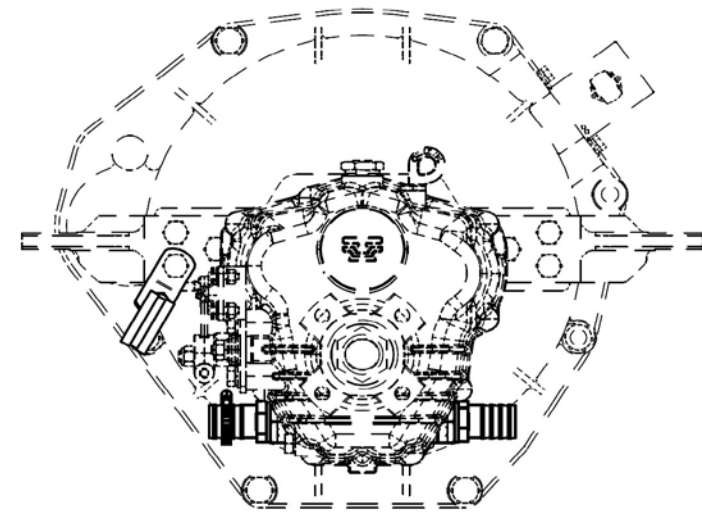




17211150		Boiler Kit (S)			
FIG.	REF.	QTY	DESCR.	FROM	UPTO
1	17124053	2	Joint		

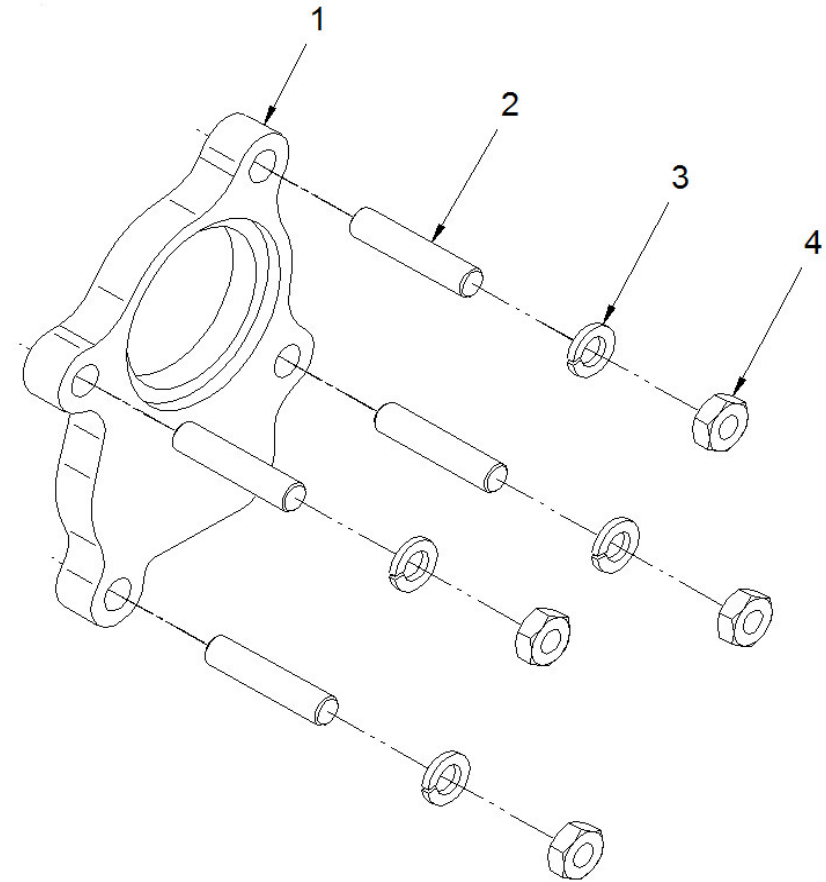


17710212		Kit Cooler Assy TMC-60				
FIG.	REF.	QTY	DESCR.	FROM	UPTO	
1	24880107	1	Kit Oil Cooler TMC-60 D.25			
2	54081020	2	Clamp DIN 3017 20-32/9 W4			
3	52102157	1	Bolt DIN 933 M6-20 8.8			
4	51030006	1	Washer DIN 125-6			
5	59071383	1	Clamp TYP.1 38/15 W1			
6	13817011	1	Bracket			
7	51031006	1	Washer DIN 9021 6			
8	52120006	1	Nut DIN 934 M6 8.8			
NS	M87502535	1	Water Intake Hose (HQ) D. 25-33 [NS]			
NS	58088281	2	Pastic Cable Zip Tie [NS]			

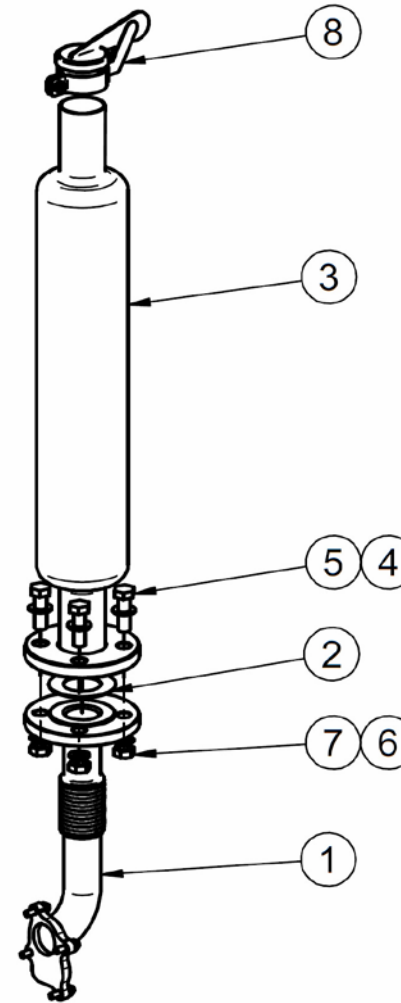


[NS] Not shown

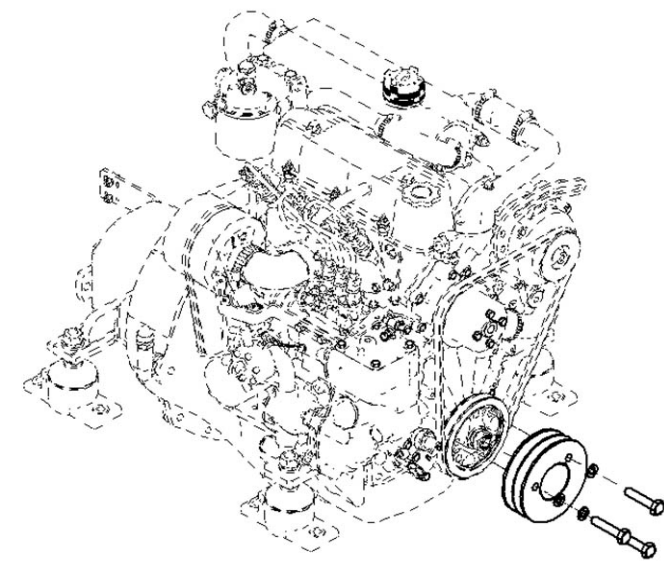
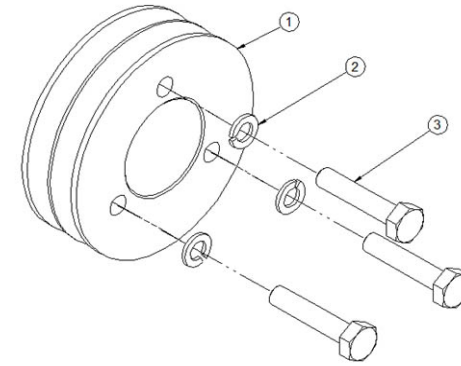
17713017C		Dry Exhaust Flange (S)			
FIG.	REF.	QTY	DESCR.	FROM	UPTO
1	17713017	1	Exhaust Flange		
2	12110018	4	Stud		
3	53033008	4	Washer GROWER DIN 127-8		
4	52120008	4	Nut DIN 934 M8 8.8		



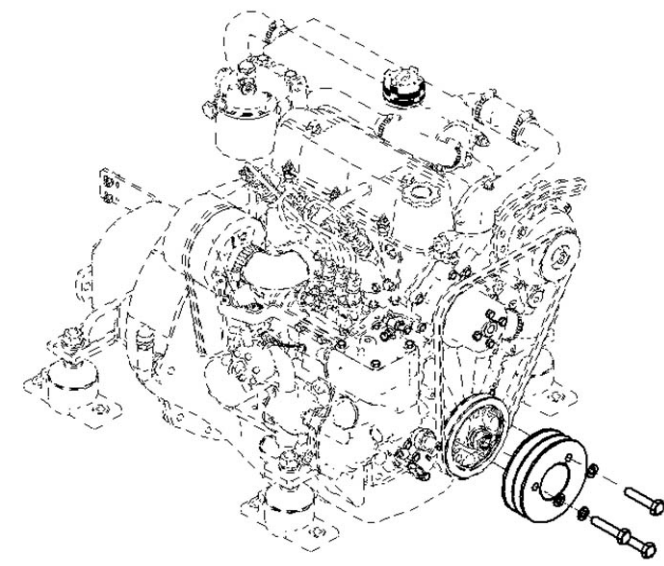
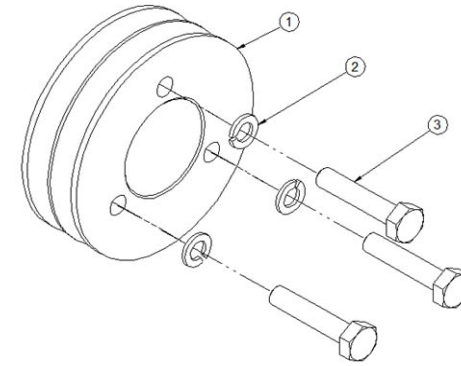
17713118 Kit Dry Exhaust Flexible Pipe & Silencer					
FIG.	REF.	QTY	DESCR.	FROM	UPTO
1	17713115	1	Kit Dry Exhaust With Flexible Pipe		
2	17113022	1	Gasket 88-50X2		
3	17113018	1	Exhaust Muffler		
4	51030016	4	Washer DIN 125-16		
5	52101463	4	Bolt DIN 931 M16-50 8.8		
6	53033016C	4	Washer	10/12/2009	
7	52120016	4	Nut DIN 934 M16 8.8		
8	17113019	1	RAINCover		



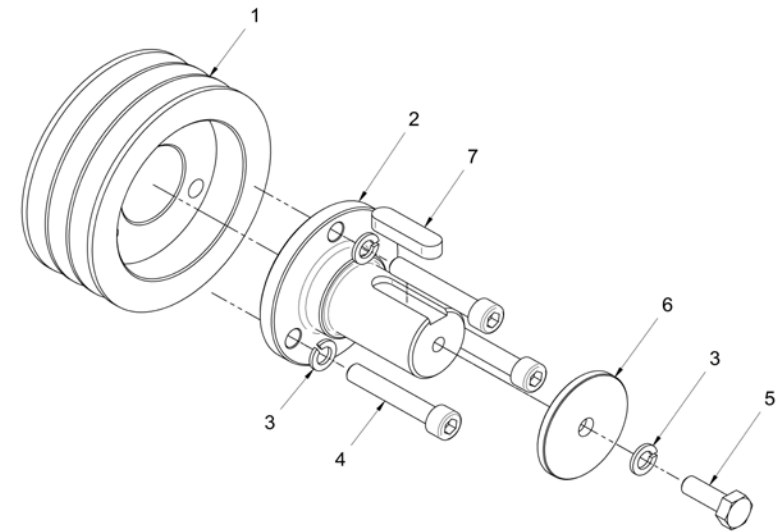
13110101 Pulley 2B (S)						
FIG.	REF.	QTY	DESCR.	FROM	UPTO	
1	13110101.1	1	Pulley 2B			
2	53033010	3	Washer GROWER DIN 127-10			
3	52201315	3	Bolt DIN 931 M10-1,25-60 8.8			



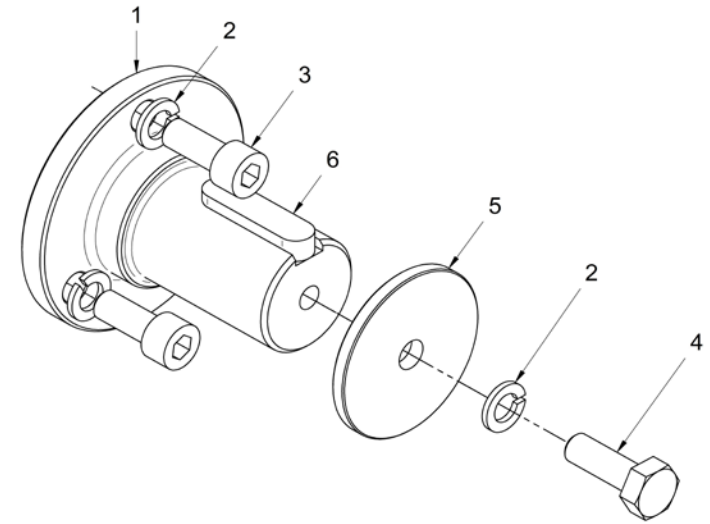
13110202		Pulley 2A (S)			
FIG.	REF.	QTY	DESCR.	FROM	UPTO
1	13110202.1	1	Pulley 2A	15/06/2016	
2	53033010	3	Washer GROWER DIN 127-10	15/06/2016	
3	52201313	3	Bolt DIN 931 M10-1,25-50 8.8	15/06/2016	



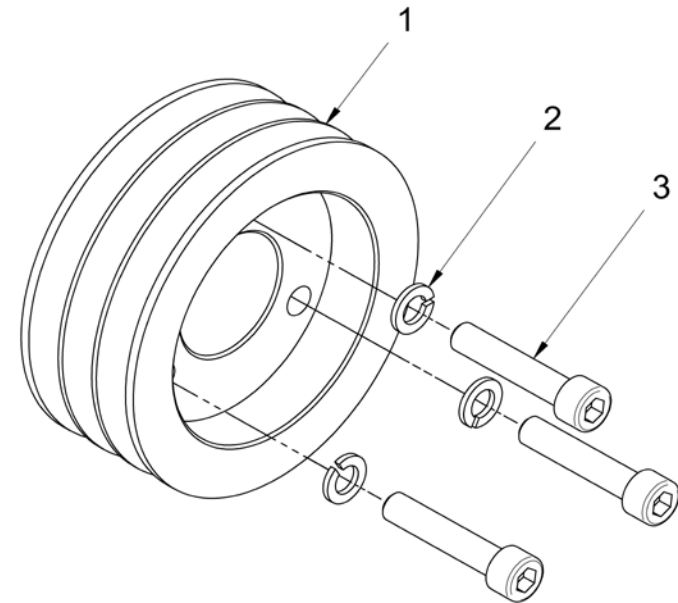
17210126		Kit Power Take-off Shaft D40 & Pulley 3A			
FIG.	REF.	QTY	DESCR.	FROM	UPTO
1	17210203	1	Pulley 3A		
2	17210049	1	PTO Shaft, D40		
3	53033010	4	Washer GROWER DIN 127-10		
4	52203315	3	Bolt DIN 912 M10-1,25-60 12.9		
5	52102309	1	Bolt DIN 933 M10-30 8.8		
6	60500064	1	Butt Washer		
7	40040086	1	Flange Ø 40 Shaft Key		



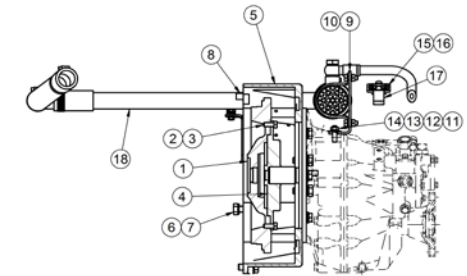
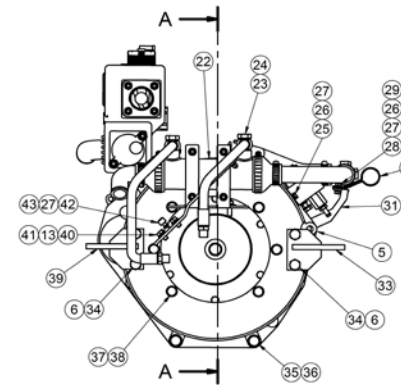
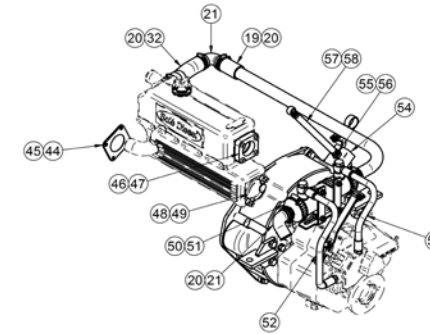
17210128		Kit Power Take-Off Shaft D40			
FIG.	REF.	QTY	DESCR.	FROM	UPTO
1	17210049	1	PTO Shaft, D40		
2	53033010	4	Washer GROWER DIN 127-10		
3	52203308	3	Bolt DIN 912 M10-1,25-25 12.9		
4	52102309	1	Bolt DIN 933 M10-30 8.8		
5	60500064	1	Butt Washer		
6	40040086	1	Flange Ø 40 Shaft Key		



17210129		Kit Pulley 3A (S)			
FIG.	REF.	QTY	DESCR.	FROM	UPTO
1	17210203	1	Pulley 3A		
2	53033010	3	Washer GROWER DIN 127-10		
3	52203313	3	Bolt DIN 912 M10-1,25-50 12.9		



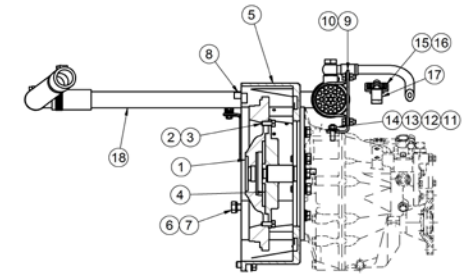
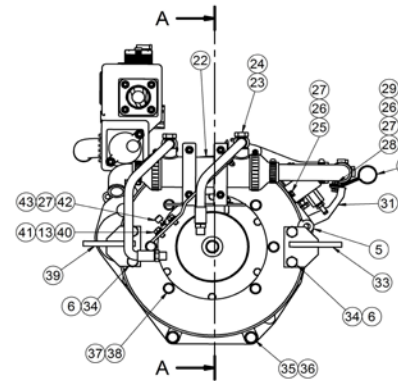
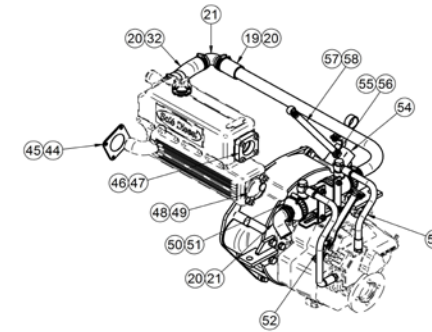
17211210		Kit Refroid. Quille et Esc. Sec TM-345			
FIG.	REF.	QTY	DESCR.	FROM	UPTO
1	17222027.1	1	Flywheel		
2	53038008	6	Washer DIN 6798-A 8		
3	52102257	11	Bolt DIN 933 M8-20 8.8		
4	17210071	1	Flexible Coupling Type B SAE 6"1/2		
5	13410018	1	SAE 7, adaptor flange		
6	53033012	6	Washer GROWER DIN 127-12		
7	52102358	2	Bolt DIN 933 M12-25 8.8		
8	52202360	1	Bolt DIN 933 M12-1,25-35 8.8		
9	18012041	1	Bracket, TM93/170 oil cooler		
12	12120018	2	Stud		
13	53033008	9	Washer GROWER DIN 127-8		
14	52120008	7	Nut DIN 934 M8 8.8		
15	24810913	1	Clamp, CABLE		
16	51030005	2	Washer DIN 125-5		
17	18619020	1	Bracket, Gear box control	02/10/2004	
18	19011011	1	Pipe, water inlet		
19	13611038	1	Pipe 30-40-75		
20	54082025	6	Clamp DIN 3017 25-40/12 W4		
20	54082032	4	Clamp DIN 3017 32-50/12 W4		
21	15212022	1	Elbow	15/02/2017	
21	15312009	2	Elbow		14/02/2017
22	14712051	1	Cooler, oil		
23	14712015	2	Bolt, Coupling pipe oil		
24	57000375	4	Washer 17-22-1,5		
25	52102154	2	Bolt DIN 933 M6-10 8.8		
26	53033006	2	Washer GROWER DIN 127-6		
27	51030006	7	Washer DIN 125-6		
28	52102156	1	Bolt DIN 933 M6-16 8.8		
29	52120006	1	Nut DIN 934 M6 8.8		
30	17211016	1	Bracket, Pipe		
30	18011016	1	Bracket, pipe		
31	17610008	1	HANGER, Engine		
32	18011020	1	Pipe		
32	52202361	1	Bolt DIN 933 M12-1,25-40 8.8		
33	17010003	1	Bracket		



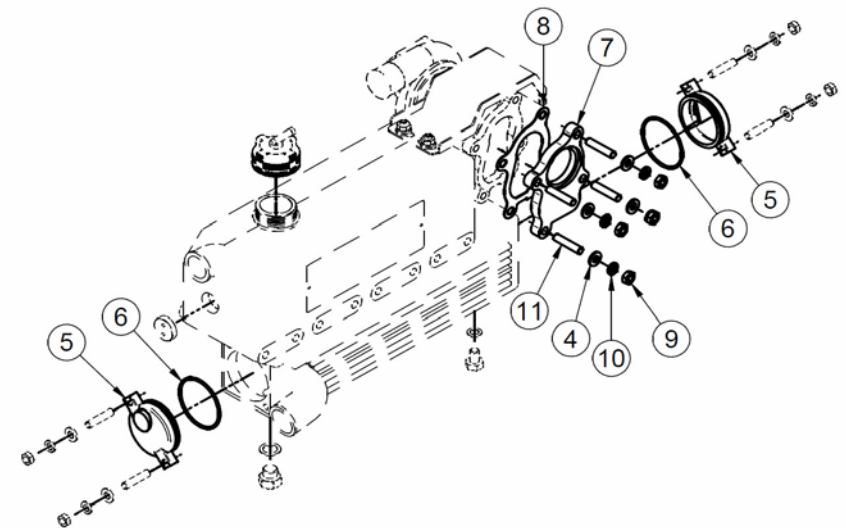
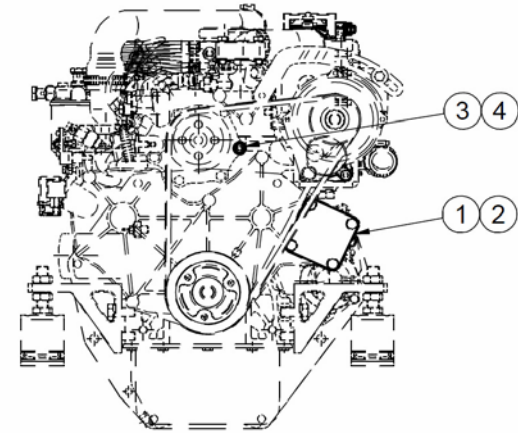
[NS] Not shown



1721210		Kit Refroid. Quille et Esc. Sec TM-345			
FIG.	REF.	QTY	DESCR.	FROM	UPTO
34	52102359	4	Bolt DIN 933 M12-30 8.8		
35	52202359	3	Bolt DIN 933 M12-1,25-30 8.8		
36	53038012	3	Washer DIN 6798-A 12		
37	53038010	5	Washer DIN 6798-A 10		
39	17010004	1	Bracket		
41	51030008	4	Washer DIN 125-8		
42	ALLPA.93	1	Coupling,cable	23/05/2017	
42	14719115	1	Coupling,cable		23/05/2017
43	51051107	1	Pin DIN-94 1,6-16		
44	13120046	1	Cover Oil Pump SH		
45	13120047	1	Gasket Water Pump		
46	15113043	1	Exhaust Elbow Gasket		
47	15113042	1	Cover Exhaust Flange		
48	13811007	2	O-Ring D. 57X2,5		
49	13911002	2	Cover		
50	54082050	2	Clamp DIN 3017 50-70/12 W4		
51	15312007	2	Cover, water cooler D 30		
52	17012024	1	Pipe		
53	18512024	1	Pipe		
54	13814070	1	Electric Fuel Feed Pump 12V		
55	57000361	2	Washer 10-14-1,5	01/06/2013	
56	13814072	2	NIPPLE EYE		
58	13814012	1	Pipe	25/09/2007	
NS	58088282	2	Pastic Cable Zip Tie [NS]	17/01/2014	
NS	59072604	2	Clamp [NS]	29/03/2014	
NS	60900126	1	TERMINAL [NS]		

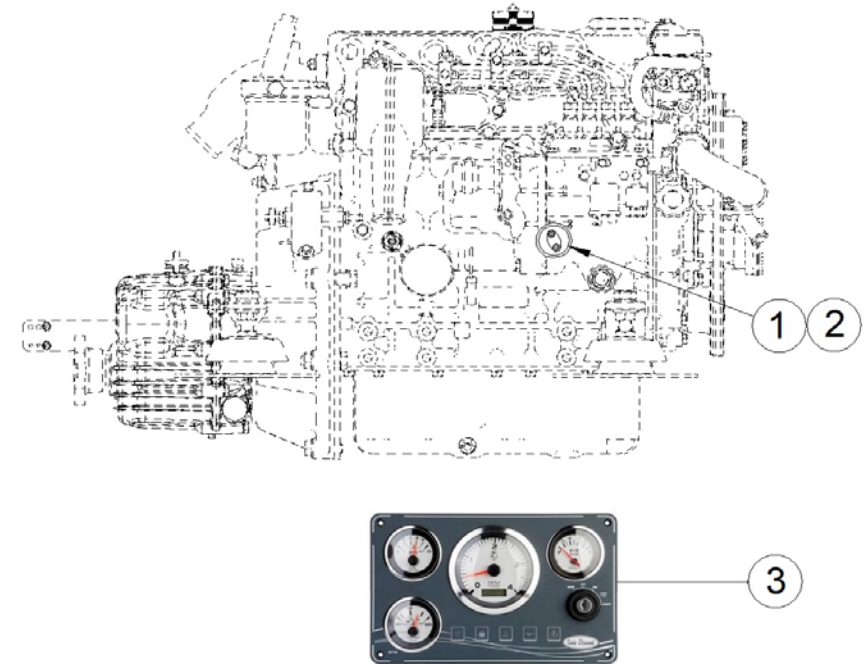


17711200.1		Kit Refroid. Quille et Esc. Sec (S)				
FIG.	REF.	QTY	DESCR.	FROM	UPTO	
1	13120046	1	Cover Oil Pump SH			
2	13120047	1	Gasket Water Pump			
3	52101263	1	Bolt DIN 931 M8-50 8.8			
4	51030008	5	Washer DIN 125-8			
5	13911002	2	Cover			
6	13811007	2	O-Ring D. 57X2,5			
7	17713017	1	Exhaust Flange			
8	17713016	1	Gasket			
9	52120008	4	Nut DIN 934 M8 8.8			
10	53033008	4	Washer GROWER DIN 127-8			
11	12110018	4	Stud			





17217217 Supplement Panel SVT 30 MINI-33/44/55						
FIG.	REF.	QTY	DESCR.	FROM	UPTO	
1	60900985	1	Pressure Sensor			
2	17117052	1	Oil Pressure Sensor Adaptor			
3	60972132	1	SVT 30 MINI-33/44/55 Panel			
NS	TFH.1M.6.3.08	1	Straight Receptacle 1 Sec. Faston [NS]			
NS	60900063	1	Insulator Cap Faston 6.3 [NS]			

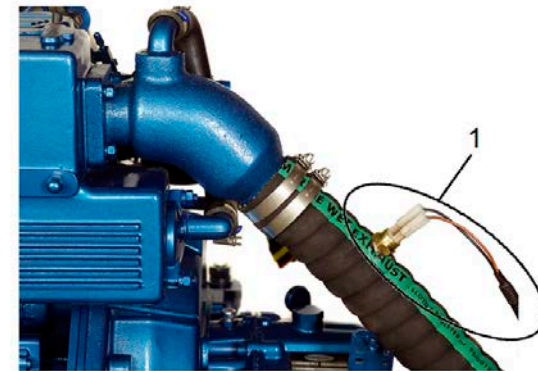


[NS] Not shown



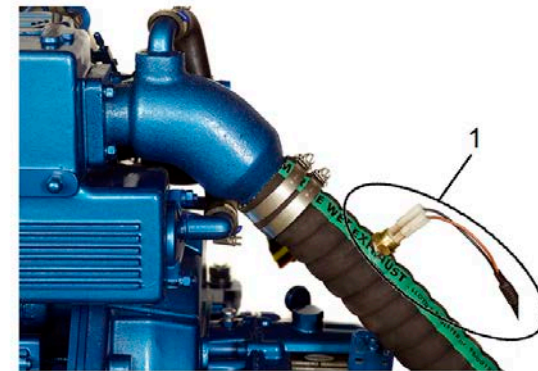


60910022 SVT 20 Panel 12V + Exh. Temp. Alarm Kit					
FIG.	REF.	QTY	DESCR.	FROM	UPTO
1	60900280	1	Exhaust Temperature Alarm Kit		
2	60910001	1	SVT 20 Panel 12V		



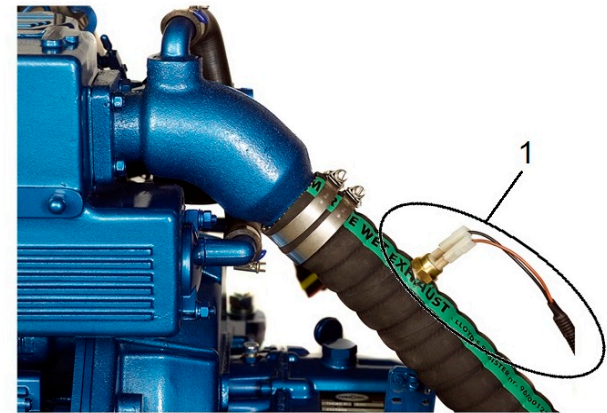


60910023 SVT 20 24V Panel + Exh. Temp. Alarm Kit					
FIG.	REF.	QTY	DESCR.	FROM	UPTO
1	60900280	1	Exhaust Temperature Alarm Kit		
2	60910002	1	SVT 20 24V Panel		



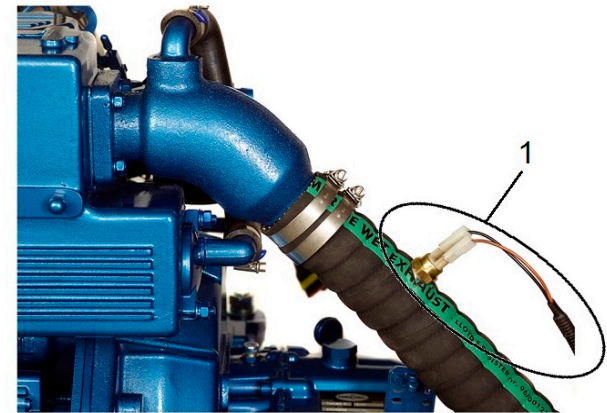


60910024 SVT 30 Panel 12V + Exh. Temp. Alarm Kit					
FIG.	REF.	QTY	DESCR.	FROM	UPTO
1	60900280	1	Exhaust Temperature Alarm Kit		
2	60910004	1	SVT 30 Panel 12V		



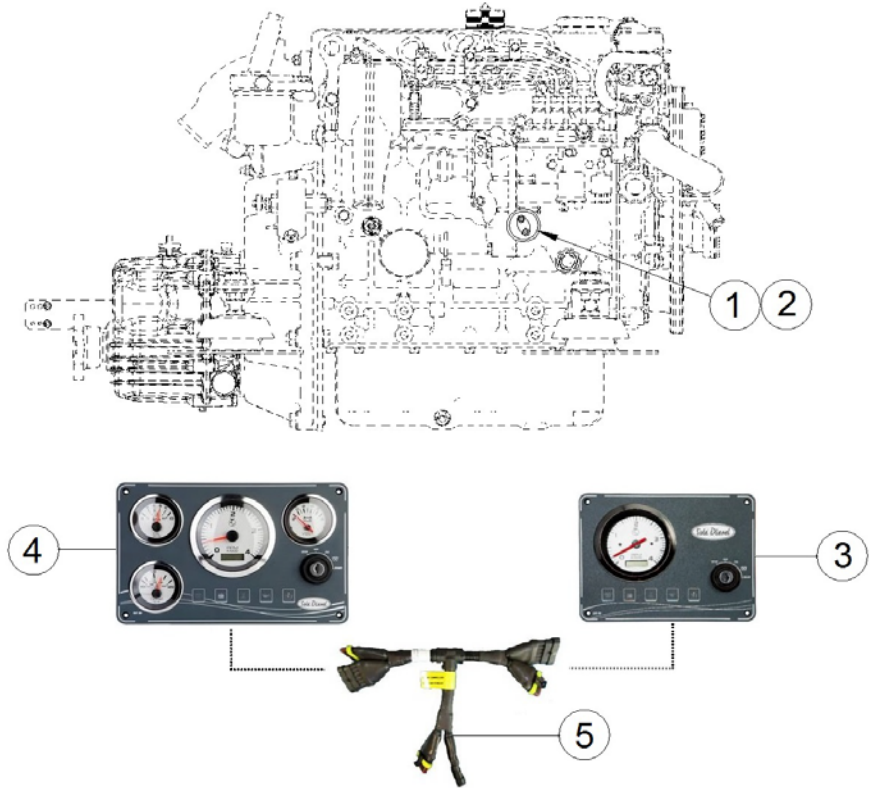


60910025 SVT 30 24V Panel + Exh. Temp. Alarm Kit					
FIG.	REF.	QTY	DESCR.	FROM	UPTO
1	60900280	1	Exhaust Temperature Alarm Kit		
2	60910005	1	SVT 30 24V Panel		





60972136		Kit 2nd Panel SVT 30/40 MINI-33/44/55				
FIG.	REF.	QTY	DESCR.	FROM	UPTO	
1	60900985	1	Pressure Sensor			
2	17117052	1	Oil Pressure Sensor Adaptor			
3	60972135	1	SVT 40 MINI-33/44/55 Panel			
4	60972132	1	SVT 30 MINI-33/44/55 Panel			
5	60900210.2	1	T Double Panel DERIVATION			
NS	TFH.1M.6.3.08	1	Straight Receptacle 1 Sec. Faston [NS]			
NS	60900063	1	Insulator Cap Faston 6.3 [NS]			

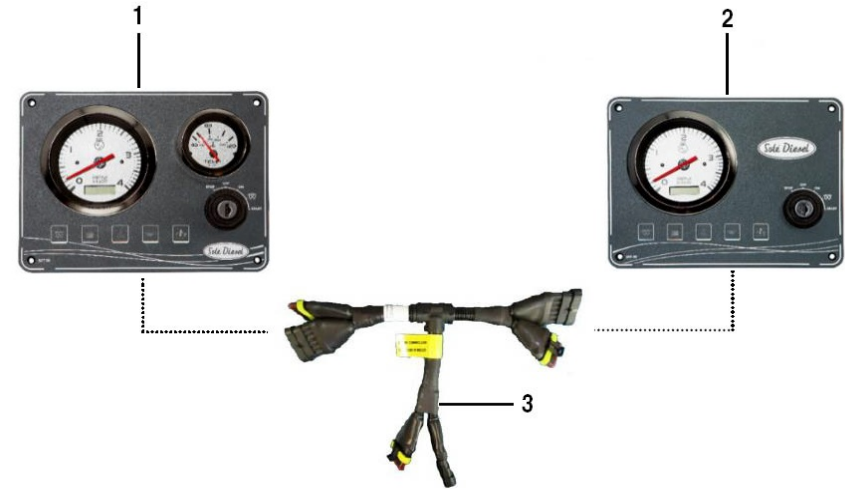


[NS] Not shown



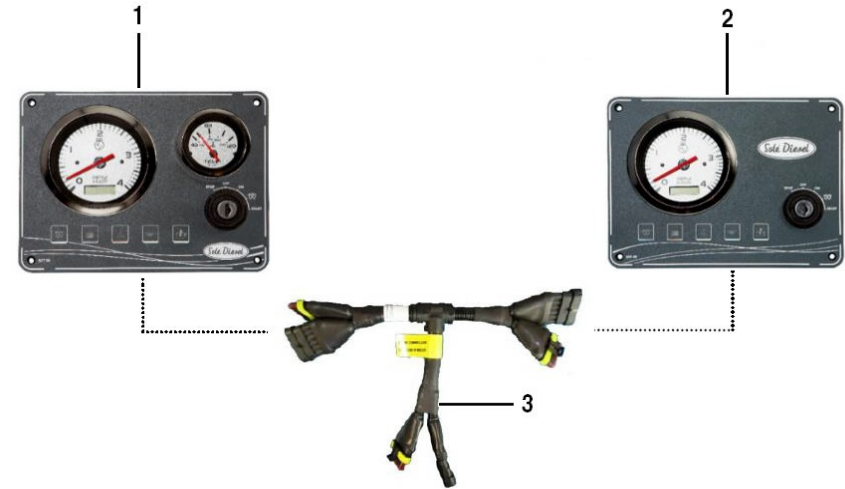


60972137		Kit 2nd Panel SVT 40 MINI-33/44/55 12V			
FIG.	REF.	QTY	DESCR.	FROM	UPTO
1	60972130	1	SVT 20 MINI-33/44/55 Panel		
2	60972135	1	SVT 40 MINI-33/44/55 Panel		
3	60900210.2	1	T Double Panel DERIVATION		

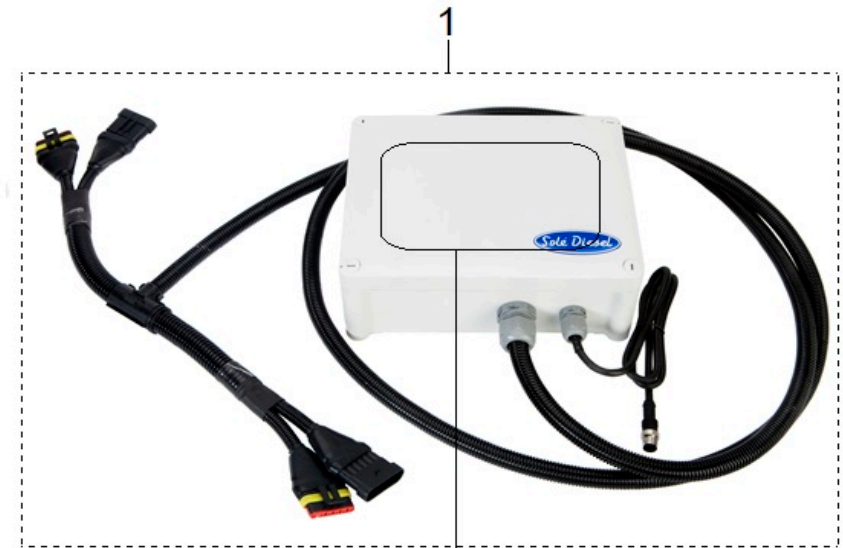




60972138		Kit 2nd Panel SVT 40 MINI-33/44/55 24V			
FIG.	REF.	QTY	DESCR.	FROM	UPTO
1	60973130	1	SVT 20 MINI-33/44/55 24V Panel		
2	60973131	1	SVT 40 MINI-33/44/55 24V Panel		
3	60900210.2	1	T Double Panel DERIVATION		



61472100 Kit SDC 2000 MINI-33/44/55 12V					
FIG.	REF.	QTY	DESCR.	FROM	UPTO
1	61400200	1	Kit SDC 2000 24V Standard		
2	60900091	2	MICRO Relay 12V 12-20		



61472200		Kit SDC 2000 MINI-33/44/55 24V			
FIG.	REF.	QTY	DESCR.	FROM	UPTO
1	61400200	1	Kit SDC 2000 24V Standard		
2	60900092	2	MICRO Relay 24V 24-10		

